

A holding box for birds

Robert C. Tweit

Half-gallon milk cartons can be used to make an inexpensive sturdy container to hold captured birds. These cartons have ample air and light, since the open end is covered with screening. Because the birds face toward the light, they are easy to grab by reaching through the door at the other end. The containers can be cleaned readily by simply rinsing with a hose.

The holder is of an ample size for birds up to 100 g. Although quart cartons would be big enough for small birds, only very small hands would fit into them.

Materials needed

- (6) half-gallon milk cartons
- 7' of $3/4" \times 1/16"$ aluminum angle
- (1) $8" \times 12"$ piece of aluminum screening
- 6' of $1/32"$ steel wire
- (2) short bolts and nuts string

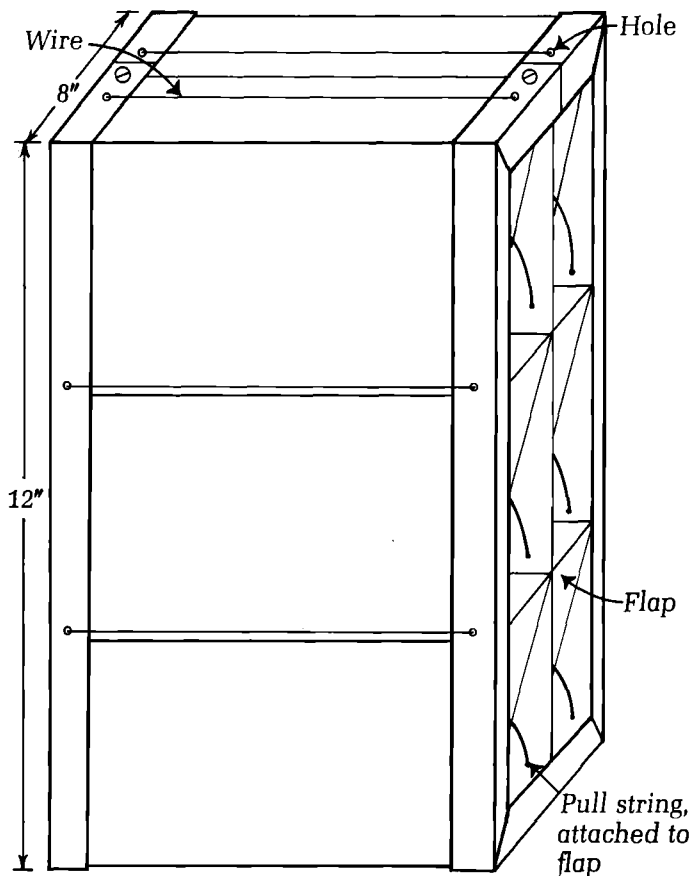
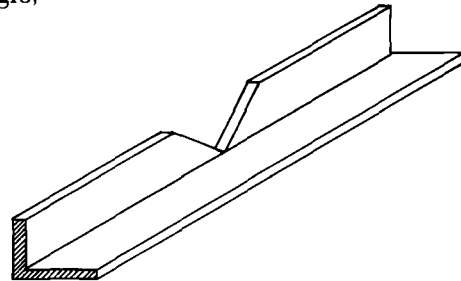


Figure 1

Assembly

Cut off the tops of the milk cartons. Cut around 3 sides of the bottom at the fold, leaving it as a flap which folds inward. The snug fit keeps the flap from opening inadvertently. Punch a hole in the center of the flap and tie a pull string through the hole. Cut (2) $3\frac{1}{2}'$ lengths of aluminum angle. Make 4 V-shaped cuts in 1 side of each angle,



using the measurements in Figure 1. Fold the angles so the ends overlap, drill a hole through the overlap, and fasten with a bolt. Cut the bolt off at the nut. Drill (8) $1/16"$ holes in each frame, 2 per side, as shown in Figure 1. Cut the wire into 9" lengths, bend $3/4"$ back at each end,



and hook through the holes of one angle frame. Place the screening in this frame and stand the milk cartons on the screen, open ends down, with the flaps all in the same direction. Put the other frame on the flap ends of the cartons and fasten snugly with the free end of the wires in the opposite holes. The carton sides can be bent to allow the wire to be folded to a "U" through the hole, using needle-nosed pliers. ☞

R & J Associates, 4100 N. Romero Rd., #108, Tucson, AZ 85705.