

AMERICAN ORNITHOLOGISTS' UNION

PUBLICATIONS  
FOR SALE



"Check-list of North American Birds"

Fifth Edition, 1957 ..... postpaid \$8.00 per copy

"Recent Studies in Avian Biology"

479 pages, bound ..... postpaid \$7.50 per copy

"Biographies of Members of the A.O.U."

Bound ..... postpaid \$5.00 per copy

Unbound ..... postpaid \$4.00 per copy

"Ten Year Indexes to The Auk"

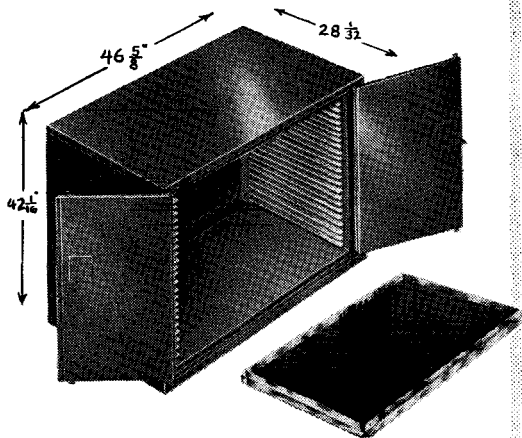
Bound ..... postpaid \$4.00 per copy

Unbound ..... postpaid \$3.00 per copy



Write for price list of back issues of The Auk.

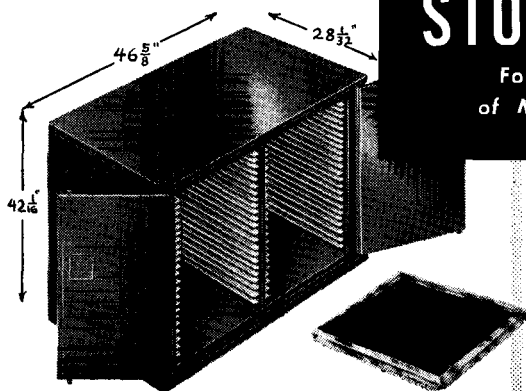
Order from: **The Treasurer,**  
**American Ornithologists' Union,**  
**Fernow Hall, Cornell University,**  
**Ithaca, New York**



Skin Case #201 for Large Trays

**SKIN CASES  
FOR  
MAXIMUM  
PROTECTION  
CONVENIENCE  
ECONOMY!**

*Lane*



Skin Case #202 for Small Trays

ZOOLOGICAL AND ORNITHOLOGICAL

**SPECIMEN  
STORAGE CASE**

*For Protective Storage  
of Mammal & Bird Skins*

- Locked "Live Rubber" Seal
- Sturdy double panel doors
- Locking mechanism secures both doors
- Tray guides permit maximum position of tray positions
- Fumigant Compartment
- Specimen Trays of aluminum and masonite — light weight — easy to handle.

FOR ILLUSTRATED BROCHURE WRITE

Institutional Division

CHAS J

*Lane* CORP

105 CHAMBERS STREET, NEW YORK 7, N. Y.

# THE AUK

## A Quarterly Journal of Ornithology

### ORGAN OF THE AMERICAN ORNITHOLOGISTS' UNION

All articles and notes submitted for publication and all books and publications intended for review should be sent to the Editor:

DONALD S. FARNER, *Department of Zoology, Washington State University, Pullman, Washington.*

---

All persons interested in ornithology are invited to join the American Ornithologists' Union. Application may be made to the Treasurer; dues for Members are \$5.00 per year. 'The Auk' is sent without charge to all classes of members not in arrears for dues.

---

Send changes of address, claims for undelivered or defective copies of 'The Auk,' and requests for information relative to advertising, subscriptions, back numbers of 'The Auk,' as well as for other publications of the Union, to the Treasurer: CHARLES G. SIBLEY, *Fernow Hall, Cornell University, Ithaca, New York.*

---

### OFFICERS OF THE AMERICAN ORNITHOLOGISTS' UNION

*President:* GEORGE H. LOWERY, JR., *Museum of Zoology, Louisiana State University, Baton Rouge, Louisiana.*

*First Vice-President:* AUSTIN L. RAND, *Chicago Natural History Museum, Chicago 5, Illinois.*

*Second Vice-President:* JOHN T. EMLÉN, JR., *University of Wisconsin, Madison, Wisconsin.*

*Editor:* DONALD S. FARNER, *Department of Zoology, Washington State University, Pullman, Washington.*

*Managing Editor:* HENRY GROSSHANS, *Office of Publications, Washington State University, Pullman, Washington.*

*Secretary:* HERBERT G. DEIGNAN, *U. S. National Museum, Washington 25, D. C.*

*Treasurer:* CHARLES G. SIBLEY, *Fernow Hall, Cornell University, Ithaca, N. Y.*

## JOHN K. TERRES *Says . . .*

Writer, Naturalist and Editor

"Any field worker in ornithology will testify to the great reference value of *Audubon Field Notes*; however, its usefulness to writers and editors is seldom mentioned. Any one who writes about birds will find much information in each issue—information essential to keeping up with the changing distribution of birds in North America. For one who edits either popular or scientific articles and books about birds, its usefulness ranks with that of the *A.O.U. Check-List*. During the time that I was Editor of *Audubon Magazine* I relied on *Audubon Field Notes* to check the distributional status of birds mentioned in articles we were preparing for publication, and often to supplement the articles with information from the valuable section, "The Changing Seasons." *Audubon Field Notes* is the only periodical of its kind in North America. Every writer on American birds, and every editor of popular or scientific natural history publications should find it profitable to be a subscriber."

### *Audubon Field Notes*

Subscribe Today!

Subscription for one year .....	\$3.00
For two years .....	5.50
For three years .....	7.50

(Single copies of April issue—Christmas Bird Count \$2.00)

1130 Fifth Avenue, New York 28, N. Y.

**WILEY** BOOKS

A basic reference on the world of birds . . .

# Bird Study

By ANDREW J. BERGER, Associate Professor of Anatomy, University of Michigan Medical School.

BEAUTIFULLY ILLUSTRATED

1961 389 pages \$9.00

SEND NOW FOR YOUR ON-APPROVAL COPY

**JOHN WILEY & SONS, INC.**

440 Park Ave. South  
New York 16, N. Y.

A distinguished ornithologist concentrates in this new book on field studies of the living bird — location, identification, and the many facets of bird behavior.

**OBSERVATIONS FROM NATURE AND AVIARY**  
Basic but not "popularized," *Bird Study* offers the keys to understanding song, courtship, nesting, eggs, raising young, migration, and the mysteries of navigation. It covers behavior on a neuroanatomical and hormonal basis, and has a strong section on breeding parasitism.

**AND CONSERVATION . . .**

A special chapter shows birds as an integral part of their environment, and the vital need for protecting both as a part of the entire conservation picture. Here, the prodigal use of insecticides receives its due. *Bird Study* is a "must" for the ornithologist's library.