

Skin Case #201 for Large Trays

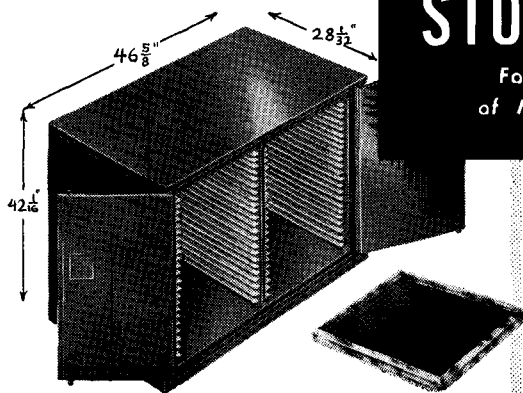
**SKIN CASES
FOR
MAXIMUM
PROTECTION
CONVENIENCE
ECONOMY!**

Lane

ZOOLOGICAL AND ORNITHOLOGICAL

**SPECIMEN
STORAGE CASE**

*For Protective Storage
of Mammal & Bird Skins*



Skin Case #202 for Small Trays

- Locked "Live Rubber" Seal
- Sturdy double panel doors
- Locking mechanism secures both doors
- Tray guides permit maximum position of tray positions
- Fumigant Compartment
- Specimen Trays of aluminum and masonite — light weight — easy to handle.

FOR ILLUSTRATED BROCHURE WRITE

Institutional Division

CHAS J

Lane CORP

105 CHAMBERS STREET NEW YORK 7, N. Y.

THE AUK

A Quarterly Journal of Ornithology

ORGAN OF THE AMERICAN ORNITHOLOGISTS' UNION

For publication in 'The Auk,' articles or notes must present material that is of significance to ornithologists and that has not been published elsewhere. All manuscripts should be typewritten, double spaced, with wide margins. Titles should be brief. Terminal bibliographies are used as a rule for long articles. Only works actually cited in the text are to be included in these bibliographies; works not so cited will be deleted by the editors. Where fewer than five references to literature are made, they may be inserted in parentheses in the text. References in manuscript for 'General Notes' should be in the text. Consult issues of 'The Auk' since January, 1949, for style of citation. Long articles should be summarized briefly. Footnotes, Roman numerals, and ruled tables are to be avoided. Acknowledgments belong in the text. Line drawings must be in India ink on white paper or drawing board; usually these should be planned for at least one-half reduction when printed. Thus, details and lettering must be correspondingly large. Legends must be brief. Photographs must be hard, glossy prints of good contrast. Common and scientific names of North American birds should follow the A.O.U. Check-List (Fifth Edition), except in taxonomic papers giving critical discussions and in justified special cases.

Proofs of all articles and notes will be sent to authors. Reprints from articles, notes, and other items are to be paid for by the author. These must be ordered from the Editor on the blanks sent with the proof and must be returned with the proof. Printed covers can be furnished at additional cost.

All articles and notes submitted for publication and all books and publications intended for review should be sent to the Editor:

DONALD S. FARNER, *Department of Zoology, Washington State University, Pullman, Washington.*

All persons interested in ornithology are invited to join the American Ornithologists' Union. Application may be made to the Treasurer; dues for Members are \$5.00 per year. 'The Auk' is sent without charge to all classes of members not in arrears for dues.

Send changes of address, claims for undelivered or defective copies of 'The Auk,' and requests for information relative to advertising, subscriptions, back numbers of 'The Auk,' as well as for other publications of the Union, to the Treasurer:

CHARLES G. SIBLEY, *Fernow Hall, Cornell University, Ithaca, New York.*

OFFICERS OF THE AMERICAN ORNITHOLOGISTS' UNION

President: GEORGE H. LOWERY, JR., *Museum of Zoology, Louisiana State University, Baton Rouge, Louisiana.*

First Vice-President: DEAN AMADON, *American Museum of Natural History, New York 24, N. Y.*

Second Vice-President: AUSTIN L. RAND, *Chicago Natural History Museum, Chicago 5, Illinois.*

Editor: DONALD S. FARNER, *Department of Zoology, Washington State University, Pullman, Washington.*

Managing Editor: HENRY GROSSHANS, *Office of Publications, Washington State University, Pullman, Washington.*

Secretary: HERBERT G. DEIGNAN, *U. S. National Museum, Washington 25, D. C.*

Treasurer: CHARLES G. SIBLEY, *Fernow Hall, Cornell University, Ithaca, N. Y.*

DR. BILL GUNN
Recorder of Bird Sounds,
Student of Bird Migration

Says:

"Only *Audubon Field Notes* sets forth the ever-changing dramas of bird migration and distribution as they occur from season to season. See how the information painstakingly gathered in your Region is reflected in the exciting and brilliantly written synopses for the Continent as a whole."

AUDUBON FIELD NOTES

Subscribe Today!

Subscription for one year	\$3.00
For two years	5.50
For three years	7.50

(Single copies of April Issue—Christmas Bird Count, \$2.00)

1130 Fifth Avenue, New York 28, N. Y.

AMERICAN ORNITHOLOGISTS' UNION

Publications for Sale

"Check-list of North American Birds"

Fifth Edition, 1957 postpaid \$8.00 per copy

"Recent Studies in Avian Biology"

479 pages, bound postpaid \$7.50 per copy

"Biographies of Members of the A.O.U."

Bound postpaid \$5.00 per copy

Unbound postpaid \$4.00 per copy

"Ten Year Indexes to *The Auk*"

Bound postpaid \$4.00 per copy

Unbound postpaid \$3.00 per copy



Write for price list of back issues of *The Auk*.

Order from: **The Treasurer,**
American Ornithologists' Union,
Fernow Hall, Cornell University,
Ithaca, New York