

Skin Case #201 for Large Trays

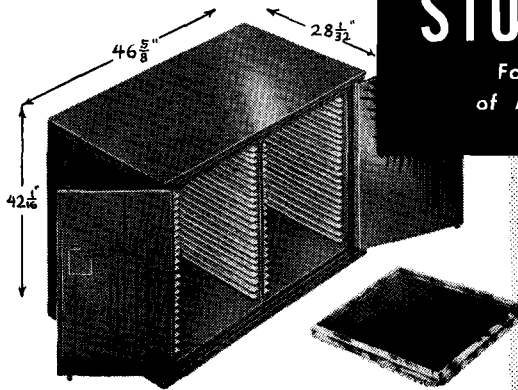
**SKIN CASES
FOR
MAXIMUM
PROTECTION
CONVENIENCE
ECONOMY!**

Lane

ZOOLOGICAL AND ORNITHOLOGICAL

SPECIMEN STORAGE CASE

*For Protective Storage
of Mammal & Bird Skins*



Skin Case #202 for Small Trays

- Locked "Live Rubber" Seal
- Sturdy double panel doors
- Locking mechanism secures both doors
- Tray guides permit maximum position of tray positions
- Fumigant Compartment
- Specimen Trays of aluminum and masonite — light weight — easy to handle.

FOR ILLUSTRATED BROCHURE WRITE

Institutional Division

CHAS J *Lane* CORP

105 CHAMBERS STREET, NEW YORK 7, N. Y.

The Auk

A Quarterly Journal of Ornithology

EDITOR
EUGENE EISENMANN



VOLUME 76

PUBLISHED BY

The American Ornithologists' Union

LANCASTER, PENNSYLVANIA

1959

DATES OF ISSUE OF "THE AUK"

VOL. 76, NO. 1—MARCH 3, 1959

VOL. 76, NO. 2—MAY 5, 1959

VOL. 76, NO. 3—JULY 9, 1959

VOL. 76, NO. 4—NOVEMBER 27, 1959

CONTENTS OF VOLUME 76

NUMBER 1

AN APPROACH TO THE STUDY OF MOLTS AND PLUMAGES. By <i>Philip S. Humphrey and Kenneth C. Parkes</i>	1
NOTES ON <i>Helicolestes hamatus</i> IN SURINAM. By <i>F. Haverschmidt</i>	32
THE IMPACT OF DEFORESTATION ON BIRDS OF CEBU, PHILIPPINES, WITH NEW RECORDS FOR THAT ISLAND. By <i>D. S. Rabor</i>	37
THE NATURAL TERMINATION OF THE REFRACTORY PERIOD IN THE SLATE-COLORED JUNCO AND IN THE WHITE-THROATED SPARROW. By <i>Max C. Shank</i>	44
ON THE ANGLE OF THE CEREBRAL AXIS IN THE AMERICAN WOODCOCK. By <i>Stanley Cobb</i>	55
GEOGRAPHIC VARIATION IN THE WHISKERED AUKLET. By <i>Bernard Feinstein</i>	60
PROCEEDINGS OF THE SEVENTY-SIXTH STATED MEETING OF THE AMERICAN ORNITHOLOGISTS' UNION. By <i>Harold Mayfield, Secretary</i>	68
OFFICERS AND TRUSTEES OF THE AMERICAN ORNITHOLOGISTS' UNION	82
TREASURER'S REPORT FOR THE PERIOD AUGUST 1, 1957-JULY 31, 1958	83
REPORT TO THE AMERICAN ORNITHOLOGISTS' UNION BY THE COMMITTEE ON BIRD PROTECTION, 1958	86
GENERAL NOTES	
Thick-billed Kingbird in the United States. By <i>Seymour H. Levy</i>	92
A Hybrid between Barrow's and Common Goldeneyes. By <i>Mary F. Jackson</i>	92
First Common Scoter Collected in Texas. By <i>Henry M. Reeves</i>	94
An Oklahoma Record of the Yellow Rail. By <i>John S. Tomer</i>	94
First Carolina Wren Taken in Colorado. By <i>Owen A. Knorr</i>	95
Occurrence of the Yellow-green Vireo in Florida. By <i>Burt L. Monroe, Jr.</i>	95
Weights of Sandhill Cranes. By <i>William S. Huey</i>	96
Cattle Egrets Provoke Cattle to Move and Pick Flies Off Bulls. By <i>Walter Dawn</i>	97
The Status of the Semipalmated Plover. By <i>Walter J. Bock</i>	98
Estimating a Hummingbird Population. By <i>Walker Van Riper</i>	100
A Chipping Sparrow Nest in Which Eight Eggs Were Laid and Seven Young Reared. By <i>Lawrence H. Walkinshaw</i>	101
Notes on Some Philippine Bulbuls. By <i>A. L. Rand</i> and <i>D. S. Rabor</i>	102
Observations of Whimbrel, <i>Numenius phaeopus</i> , and Chilean Flamingo, <i>Phoenicopterus chilensis</i> , in June Near the Straits of Magellan. By <i>William Belton</i>	104
Competition for Food between Five Species of East African Vultures. By <i>George A. Petrides</i>	104
A Previously Undescribed Recurvirostrid from the Eocene of Utah. By <i>John William Hardy</i>	106
The Correct Specific Name of the Quetzal, <i>Pharomachrus mocinno</i> . By <i>Eugene Eisenmann</i>	108
REVIEWS	109
RECENT LITERATURE. Edited by <i>Frank McKinney</i>	117
AMERICAN ORNITHOLOGISTS' UNION COMMITTEES, 1958-1959	128

NUMBER 2

A TWENTY YEAR BANDING STUDY OF THE PIPING PLOVER. By <i>Le Roy Wilcox</i> . . .	129
THE WIDEAWAKE CALENDAR, 1953 to 1958. By <i>James P. Chapin and Leonard W. Wing</i>	153
LIFE HISTORY OF THE BLACK ROSY FINCH. By <i>Norman R. French</i>	159
NOTES ON THE BREEDING CYCLE OF THE RED CROSSBILL (<i>Loxia curvirostra</i>) IN MONTANA. By <i>Thomas Kemper</i>	181
OBSERVATIONS ON THE LIFE HISTORY OF THE DIPPER IN MONTANA. By <i>Gerald J. Bakus</i>	190
MOLT, PLUMAGES AND AGE GROUPS IN <i>Piranga bidentata</i> IN MEXICO. By <i>Eugene A. LeFebvre and Dwain W. Warner</i>	208
THE IMPORTANCE OF JUVENILE CANNIBALISM IN THE BREEDING BIOLOGY OF CERTAIN BIRDS OF PREY. By <i>Collingwood Ingram</i>	218
GENERAL NOTES	
Barred Owl Nesting on the Ground. By <i>William B. Robertson, Jr.</i>	227
A New Breeding Record of the Wandering Tattler in Alaska. By <i>Robert B. Weeden</i>	230
Land Snails as Food of White-crowned Pigeon. By <i>G. A. Seaman</i>	232
Notes on Bachman's Sparrow in Central Louisiana. By <i>Brooke Meanley</i>	232
Whooping Crane in the Mid-West. By <i>Harlow B. Mills and Frank C. Bellrose</i>	234
Mutual Tapping of the Red-headed Woodpecker. By <i>Lawrence Kilham</i>	235
"Wing-twitching" and Insect Capture by the Starling. By <i>Jack P. Hailman</i>	236
Apparent Homosexual Behavior between Brown-headed Cowbird and House Sparrow. By <i>Daude N. Griffin</i>	238
Observations on Effects of Cold Weather on Nesting Common Egrets. By <i>Edward M. Simmons</i>	239
Cory's Shearwater at Palm Beach, Florida. By <i>H. P. Langridge</i>	241
Little Egret Banded in Spain Taken in Trinidad. By <i>Wilbur G. Downs</i>	241
<i>Bubo virginianus</i> in Surinam. By <i>F. Haverschmidt</i>	242
<i>Quiscalus lugubris</i> in Brazil. By <i>Fernando C. Novaes</i>	242
The Serratus Muscles in Cuckoos, a Correction. By <i>Andrew J. Berger</i>	242
Two Recent Records of the Roseate Spoonbill on the Pacific Slope and High Andes of Peru. By <i>Ken Stott, Jr.</i>	244
REVIEWS	245, 266
RECENT LITERATURE. Edited by <i>Frank McKinney</i>	251
SEVENTY-SEVENTH STATED MEETING OF A.O.U.	267
NOTES AND NEWS	267
STUDENT MEMBERSHIP AWARDS FOR 1959	268

NUMBER 3

THE STATUS OF AVIAN SYSTEMATICS AND ITS UNSOLVED PROBLEMS. By <i>Erwin Stresemann</i>	269
LIFE HISTORY OF THE GROOVE-BILLED ANI. By <i>Alexander F. Skutch</i>	281
ON THE BREEDING DISTRIBUTION PATTERN OF NORTH AMERICAN MIGRANT BIRDS. By <i>Robert H. MacArthur</i>	318

HYBRIDIZATION IN THE RUFOUS-SIDED TOWHEES OF THE GREAT PLAINS. By Charles G. Sibley and David A. West	326
HEAD-SCRATCHING MOVEMENTS IN BIRDS. By Margaret M. Nice and W. E. Schantz	339
DIFFERENTIAL RESPONSES OF MALE OVENBIRDS TO RECORDED SONGS OF NEIGHBORING AND MORE DISTANT INDIVIDUALS. By Judith Stenger Weeden and J. Bruce Falls	343
ADDITIONAL INVERTEBRATE NEST ASSOCIATES OF THE PRAIRIE WARBLER. By Val Nolan, Jr.	352
GENERAL NOTES	
Earlier Photographic Records of the Common Crane (<i>Grus grus</i>) for North America—in Alberta, Canada. By William Wishart	358
Nesting of the Lesser Swallow-tailed Swift, <i>Panyptila cayennensis</i> , in Guatemala. By Ernest P. Edwards	358
Cattle Egret in Haiti. By Oscar T. Owre	359
Cattle Egret (<i>Bubulcus ibis</i>) on Cozumel Island, Quintana Roo, Mexico. By Reginald Denham	359
The Wing Molt and Systematic Position of the Genus <i>Gampsonyx</i> . By Vesta Stresemann	360
Reverse Mounting in Red-bellied Woodpeckers. By Doris C. Hauser	361
Black-backed Three-toed Woodpecker in Central Pennsylvania. By Merrill Wood...	361
Leaf Pulling by the Purple Martin. By Gilbert S. Raynor	362
Sprague's Pipit and Smith's Longspur in Ohio. By Jay M. Sheppard	363
Occurrence of Pink Coloration in Adult Female Purple Finches. By John H. Kennard	363
The First Record of Harris' Sparrow, <i>Zonotrichia querula</i> (Nuttall), from Alaska. By M. T. Myres	364
Another Collection from Zacatecas, Mexico. By J. Dan Webster	365
Cowbird Parasitizes Nest Containing Young. By Russell E. Mumford	367
Living Nematodes within Hen's Eggs. By Kenneth C. Parkes	368
REVIEWS	369
RECENT LITERATURE. Edited by Frank McKinney	373
MISCELLANEOUS ITEMS	317, 338, 351, 357, 363, 384

NUMBER 4

POLYMORPHISM IN MEXICAN BROWN JAYS. By Robert K. Selander	385
IN MEMORIAM: JOHN TODD ZIMMER. By Robert Cushman Murphy and Dean Amadon	418
INTERSPECIFIC INTOLERANCE OF THE AMERICAN COOT IN UTAH. By Ronald A. Ryder	424
HYBRIDIZATION IN THE BUNTINGS (<i>Passerina</i>) OF THE GREAT PLAINS. By Charles G. Sibley and Lester L. Short, Jr.	443
MORTALITY OF THE GREAT BLUE HERON AS SHOWN BY BANDING RECOVERIES. By D. F. Owen	464
NOTES ON THE BIOLOGY OF TWO BRAZILIAN SWIFTS, <i>Chaetura andrei</i> and <i>Chaetura cinereiventris</i> . By Helmut Sick	471
SOCIAL BEHAVIOR AND BREEDING SUCCESS IN CANADA GEESE (<i>Branta canadensis</i>) CONFINED UNDER SEMI-NATURAL CONDITIONS. By Nicholas E. Collias and Laurence R. Jahn	478

TAXONOMIC NOTES ON THE AMERICAN GROUND DOVES. By <i>Derek Goodwin</i>	510
GENERAL NOTES	
Recent Specimens from Southern New York and New Jersey Affecting A.O.U. Checklist Status. By <i>P. A. Buckley</i>	517
Albinism in <i>Podiceps grisegena</i> and Other Grebes. By <i>Milton W. Weller</i>	520
Eared Grebe in South Carolina. By <i>Walter Dawn</i>	521
Records of Flight Preening and Related Aerial Activities in Birds, Particularly the Black Tern. By <i>Robert E. Goodwin</i>	521
Breeding of the Least Bittern in Manitoba. By <i>S. Tenison Dillon</i>	524
<i>Elanus leucurus</i> Breeding in Surinam. By <i>F. Haverschmidt</i>	526
Rufous Hummingbird Feeding on Sap of English Walnut at Sapsucker Holes. By <i>R. Wiegert</i>	526
Head-scratching and Wing-stretching of Woodpeckers. By <i>Lawrence Kilham</i>	527
Ash-throated Flycatcher in Alabama. By <i>Lovett E. Williams, Jr.</i>	528
New Record of the Eastern Barn Swallow in Micronesia. By <i>John H. Brandt</i>	528
South American Migrant Swallows of the Genus <i>Progne</i> in Panama and Northern South America: with Comments on their Identification and Molt. By <i>E. Eisenmann</i>	528
Blue Jays Attack a Red Bat. By <i>William M. Clay</i>	532
Large Numbers of Bohemian Waxwings in New Mexico. By <i>Jens Knudsen Jensen</i>	532
Northern Birds from a Florida Indian Midden. By <i>J. Hill Hamon</i>	533
Effects of High Air Temperature on the Bill and Claw Keratin Structures of the Tree Sparrow. By <i>George C. West</i>	534
The Function of the Depressor Mandibulae Muscle in Certain Passerine Birds. By <i>Richard L. Zusi</i>	537
<i>Falco peregrinus pealei</i> Shot in Northern Ohio. By <i>Emerson Kemsies</i>	539
Probable Eskimo Curlew on Galveston Island, Texas. By <i>George G. Williams</i>	539
REVIEWS	470, 509, 516, 542
RECENT LITERATURE. Edited by <i>Frank McKinney</i>	548
LETTER TO EDITOR: Supposed Cannibalism by Short-eared Owls. By <i>Edward A. Armstrong</i>	560
NOTES AND NEWS	560
MISCELLANEOUS ITEMS	442, 463, 470, 477, 541
INDEX TO VOLUME 76. Prepared by <i>Col. L. R. Wolfe</i>	561
DATES OF ISSUE OF VOLUME 76	ii
CONTENTS OF VOLUME 76	iii
ERRATA AND CORRIGENDA TO VOLUME 76	vii
MEETINGS AND PAST AND PRESENT OFFICERS OF A.O.U., 1951-1959	viii

LIST OF PLATES

Plate	Opposite Page
1. HAVERSCHMIDT: <i>Helicolestes hamatus</i> in Surinam. Immature at edge of pool (above) (photograph by D. C. Geyskes); shells under resting place (below)	32
2. HAVERSCHMIDT: <i>Helicolestes hamatus</i> in Surinam. Tree with nest (above); downy nestling (below)	33
3. WILCOX: Types of chest markings in Piping Plover (<i>Charadrius melodus</i>) trapped on nests on Long Island, New York	129
4. WILCOX: Piping Plover. Sex and age differences in chest markings (above); nest with young and egg (below)	142
5. FRENCH: Breeding habitats of Black Rosy Finch (<i>Leucosticte t. atrata</i>) in Utah	159

6. FRENCH: Winter roosts of Rosy Finches. Under pier in Utah (above); in cave in Idaho (below)	174
7. INGRAM: Nest of Short-eared Owl (<i>Asio flammeus</i>) (above)	223
ROBERTSON: Barred Owl (<i>Strix varia</i>) incubating on ground (photo. by Fred K. Truslow) (below)	223
8. WEEDEN: Wandering Tattler (<i>Heteroscelus incanum</i>) nesting in Alaska. Nesting habitat (above); nest site (below)	231
9. MEANLEY: Nesting habitat of Bachman's Sparrow (above)	233
MILLS AND BELLROSE: Whooping Crane (<i>Grus americana</i>) south of Hull, Illinois (photo. courtesy Ill. State Mus.) (below)	233
10. SKUTCH: Nestling Groove-billed Ani: About six days old (above); 24 hours later (below)	281
11. SKUTCH: Groove-billed Ani: Incubating eggs (above, left); nest of eight eggs (above, right); eggs showing variation in size and shape (below)	291
12. NICE AND SCHANTZ: Head scratching movements of various passerines (photo. by W. E. Shantz)	341
13. WISHART: Common Crane (<i>Grus grus</i>) near Cavendish, Alberta (above) (photo. by Fred Sharp)	358
EDWARDS: Nest of Lesser Swallow-tailed Swift (<i>Panyptila cayennensis</i>), Tikal, Guatemala (below)	358
14. SELANDER: Brown Jays (<i>Psilorhinus</i>), adult specimens showing color and pattern differences between morphs (above); juvenile specimens (below)	386
15. SELANDER: Brown Jays. Age and individual variation of color of bill (above); age variation in shape and size of rectrices (below)	387
16. SELANDER: Sound spectrographs of jay calls. Calls of Brown Jay (<i>Psilorhinus</i>). Calls of Blue Jay (<i>Cyanocitta cristata</i>)	398
17. SELANDER: Habitats of <i>Psilorhinus</i> . Humid evergreen forest in Barranca Metlac, Veracruz (above); Coyol woodland south of Boca del Rio, Veracruz (below)	400
18. SELANDER: Habitats of <i>Psilorhinus</i> . Lake Catemaco, Veracruz (above); Deciduous vegetation near Hueyapan, Veracruz (below)	401
19. MURPHY AND AMADON: John Todd Zimmer	418
20. RYDER: Coot interspecific conflicts	424
21. SICK: <i>Chaetura andrei meridionalis</i> in Brazil. Feeding nestlings (above); nest with eight living young on wall of attic (below)	471

ERRATA AND CORRIGENDA TO VOLUME 76 OF THE AUK

No. 2 (April), p. 226, corrects No. 1 (Jan.), p. 107.

No. 3 (July), p. 357, corrects No. 2 (April), pp. 133, 138. No. 3 (July), p. 357, should itself be corrected: "79 (2)" should read "76 (2)," and "southwest" should read "northeast."

No. 3 (July), p. 384, corrects No. 2 (April), p. 256.

MEETINGS OF THE AMERICAN ORNITHOLOGISTS' UNION

(Continued from 'The Auk', vol. 68, No. 3, 1951, p. ii)

Meeting	Date	Place
69	1951, Oct. 8-11	Montreal
70	1952, Oct. 20-24	Baton Rouge
71	1953, Oct. 21-25	Los Angeles
72	1954, Oct. 8-12	Madison
73	1955, Oct. 25-30	Boston
74	1956, Sept. 4-9	Denver
75	1957, Sept. 10-15	Cape May
76	1958, Oct. 14-19	New York
77	1959, Aug. 25-30	Regina

OFFICERS

(Continued from 'The Auk', vol. 68, No. 3, 1951, p. iii)

Presidents

- *Josselyn Van Tyne, 1950-1953
- Alden H. Miller, 1953-1956
- *Ludlow Griscom, 1956
- Ernst Mayr, 1956-1959
- George H. Lowery, 1959-

Vice-Presidents

- Alden H. Miller, 1948-1953
- *Ludlow Griscom, 1950-1956
- Ernst Mayr, 1953-1956
- George H. Lowery, Jr., 1956-1959
- Austin L. Rand, 1956-1958, 1959-
- Dean Amadon, 1958-

Secretaries

- Olin Sewall Pettingill, Jr., 1946-1951
- Albert Wolfson, 1951-1953
- Harold F. Mayfield, 1953-1958
- Herbert G. Deignan, 1958-

Treasurers

- R. Allyn Moser, 1948-1953
- Charles G. Sibley, 1953-

Editors of 'The Auk'

- Harvey I. Fisher, 1948-1952
- Robert W. Storer, 1952-1957
- Eugene Eisenmann, 1957-1959
- Donald S. Farner, 1959-

* Deceased

THE AUK

A Quarterly Journal of Ornithology

ORGAN OF THE AMERICAN ORNITHOLOGISTS' UNION

For publication in 'The Auk,' articles or notes must present material that is of significance to ornithologists and that has not been published elsewhere. All manuscripts should be typewritten, double spaced, with wide margins. Titles should be brief. Terminal bibliographies are used as a rule for long articles. Only works actually cited in the text are to be included in these bibliographies; works not so cited will be deleted by the editors. Where fewer than five references to literature are made, they may be inserted in parentheses in the text. References in manuscript for 'General Notes' should be in the text. Consult issues of 'The Auk' since January, 1949, for style of citation. Long articles should be summarized briefly. Footnotes, Roman numerals, and ruled tables are to be avoided. Acknowledgments belong in the text. Line drawings must be in India ink on white paper or drawing board; usually these should be planned for at least one-half reduction when printed. Thus, details and lettering must be correspondingly large. Legends must be brief. Photographs must be hard, glossy prints of good contrast. Common and scientific names of North American birds should follow the A.O.U. Check-List (Fifth Edition), except in taxonomic papers giving critical discussions and in justified special cases.

Proofs of all articles and notes will be sent to authors. Reprints from articles, notes, and other items are to be paid for by the author. These must be ordered from the Editor on the blanks sent with the proof and must be returned with the proof. Printed covers can be furnished at additional cost.

All articles and notes submitted for publication and all books and publications intended for review should be sent to the new Editor:

DONALD S. FARNER, *Department of Zoology, Washington State University, Pullman, Washington.*

All persons interested in ornithology are invited to join the American Ornithologists' Union. Application may be made to the Treasurer; dues for Members are \$5.00 per year. 'The Auk' is sent without charge to all classes of members not in arrears for dues.

Send changes of address, claims for undelivered or defective copies of 'The Auk,' and requests for information relative to advertising, subscriptions, back numbers of 'The Auk,' as well as for other publications of the Union, to the Treasurer:

CHARLES G. SIBLEY, *Fernow Hall, Cornell University, Ithaca, New York.*

OFFICERS OF THE AMERICAN ORNITHOLOGISTS' UNION

President: ERNST MAYR, *Museum of Comparative Zoology, Harvard University, Cambridge 38, Massachusetts.*

First Vice-President: GEORGE H. LOWERY, JR., *Museum of Zoology, Louisiana State University, Baton Rouge, Louisiana.*

Second Vice-President: DEAN AMADON, *American Museum of Natural History, New York 24, New York.*

Editor: EUGENE EISENMANN, *American Museum of Natural History, New York 24, New York.*

Secretary: HERBERT G. DEIGNAN, *U. S. National Museum, Washington 25, D. C.*

Treasurer: CHARLES G. SIBLEY, *Fernow Hall, Cornell University, Ithaca, New York.*

ALLAN S. KLONICK
President, Federation of New York
State Bird Clubs

Says:

"These are busy days for the bird spotter or trained ornithologist. *Audubon Field Notes* provides an invaluable accurate and organized means of country-wide dissemination and analysis of bird information. I find each issue number one on my list of reading, because of its excellent coverage of all areas from Maine to California. I certainly recommend it to everyone from the part-time birder to the trained field man, for in addition to the national migration picture trends, the annual Christmas Bird Count, and the Breeding-bird Census are most informative and enlightening."

AUDUBON FIELD NOTES

Subscribe Today!

Subscription for one year \$3.00
For two years 5.50
For three years 7.50
(Single copies of April issue—Christmas Bird Count, \$2.00)

1130 Fifth Avenue, New York 28, N. Y.



**A NEW KEYSTONE
for the ornithologist's library**

**Funda-
mentals
of
Orni-
thology**

by **JOSELYN VAN TYNE**, Late Curator of Birds,
University of Michigan, and Past President,
American Ornithologists' Union; and **ANDREW
J. BERGER**, University of Michigan, and Fellow,
American Ornithologists' Union. With 168 pen
drawings by **GEORGE MIKSCH SUTTON**.

Birds of the whole world are covered in this new and basic book; no other treatment is as thorough or accurate. Material in one chapter, "Classification of World Birds by Families," appears nowhere else, having been the particular interest of Dr. Van Tyne.

Four of the many features

1. Each chapter presents comparative data, and illustrates representative birds of every family
2. Covers anatomical features used in classifying birds—the only book to do this with such scientific accuracy
3. Contains a most thorough treatment of the breeding biology of birds
4. Over 150 drawings by famous illustrator George Miksch Sutton, plus many other illustrations

1959 624 pages 252 illus. \$11.75

Send now for your on-approval copy

John Wiley & Sons, Inc.
440 Fourth Ave., New York 16, N. Y.

The A.O.U. "CHECK-LIST OF NORTH AMERICAN BIRDS"

Fifth Edition

**Order from: The Treasurer
American Ornithologists' Union
Fernow Hall, Cornell University, Ithaca, New York
\$8.00 per copy, postpaid**