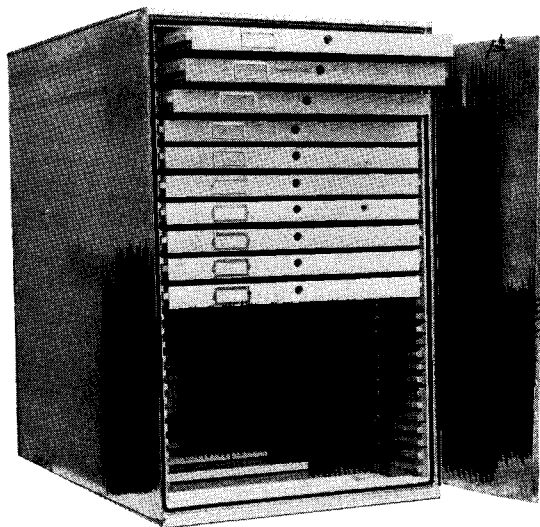


Introducing a superbly constructed, economical
Specimen Storage Case



No. 112 . . Designed
by the University
of California

**COMPLETE
WITH 10 TRAYS**

\$199

F.O.B. Escondido, Calif.
Extra Trays \$7.50 ea.

Dimensions:
27" wide
42½" high
44" deep

Consider . . . Compare These Outstanding Features

The white cedar case is screwed together, covered with galvanized iron. Live rubber gaskets keep it airtight, vermin proof. Hardwood drawer guides. Each tray has card holder attached. A few of the users of these cases are the Los Angeles Museum, San Diego Museum, Western Foundation and Santa Monica School Dist.

CHAPPELL'S
House of Woodcraft

**P. O. BOX 1085
ESCONDIDO
CALIFORNIA**

A New and Unique High-Fidelity Recording

Voices of African Birds

Recorded by MYLES E. W. NORTH

INTRODUCED on this delightful recording are the songs and calls of forty-two species found in Kenya, Uganda, Sudan, Tanganyika, Rhodesia, South Africa, the Congo, and Nigeria. Myles E. W. North, by profession a Senior District Commissioner in Kenya and an active member of Cornell University's Laboratory of Ornithology, describes each song, and there is an introduction by Dr. A. A. Allen.

The first side of the record includes mostly the voices of the larger birds—some spectacular, like that of the Fish Eagle; some amusing, like that of the Go-away-bird; others of beauty and charm, such as the African Pied Wagtail.

The smaller birds, which include some of the finest singers, are represented on the second side of the record.

12-inch vinylite record, 33 $\frac{1}{3}$ rpm, \$7.75

Songbirds of America

in Color, Sound, and Story

Recorded, photographed, and written by DR. ARTHUR A. ALLEN
and DR. PETER P. KELLOGG,

with a Foreword by ROGER TORY PETERSON

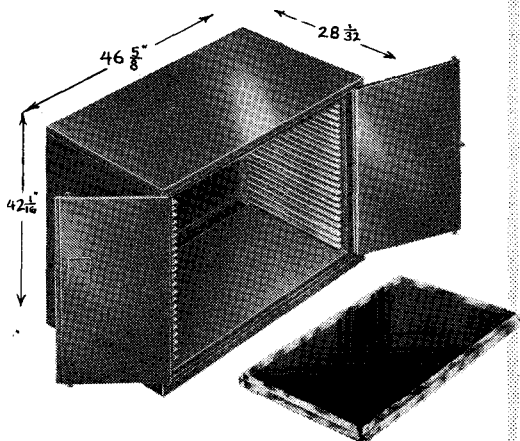
WITH authoritative text and commentary keyed to twenty-four full-color photographs and a high-fidelity recording, this bookalbum is an unusual and informative introduction to the habits, habitats, songs, and calls of twenty-four of our more familiar birds.

*27 pages, illus. (26 in color), spiral bound; with one
10-inch vinylite record, 33 $\frac{1}{3}$ rpm, \$4.95*

For information on ten other records of wildlife voices, write to:

Cornell University Records

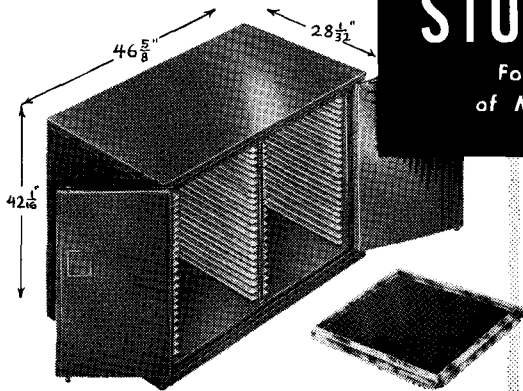
A division of Cornell University Press
124 Roberts Place, Ithaca, New York



Skin Case #201 for Large Trays

**SKIN CASES
FOR
MAXIMUM
PROTECTION
CONVENIENCE
ECONOMY!**

Lane



Skin Case #202 for Small Trays

ZOOLOGICAL AND ORNITHOLOGICAL

SPECIMEN STORAGE CASE

*For Protective Storage
of Mammal & Bird Skins*

- Locked "Live Rubber" Seal
- Sturdy double panel doors
- Locking mechanism secures both doors
- Tray guides permit maximum position of tray positions
- Fumigant Compartment
- Specimen Trays of aluminum and masonite — light weight — easy to handle.

FOR ILLUSTRATED BROCHURE WRITE

Institutional Division

CHAS J

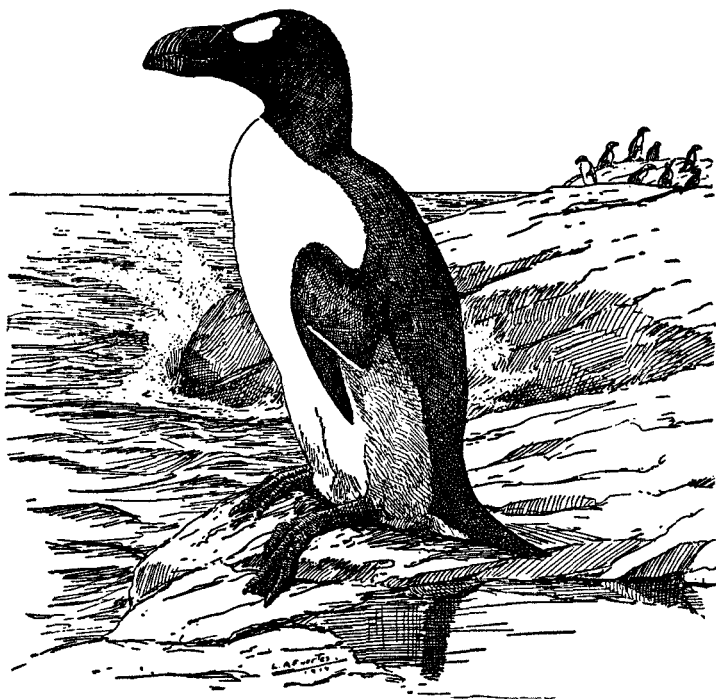
Lane CORP

105 CHAMBERS STREET, NEW YORK 7, N. Y.

The Auk

A Quarterly Journal of Ornithology

EDITOR
EUGENE EISENMANN



VOLUME 75

PUBLISHED BY

The American Ornithologists' Union

LANCASTER, PENNSYLVANIA

1958

DATES OF ISSUE OF "THE AUK"

VOL. 75, NO. 1—FEBRUARY 13, 1958

VOL. 75, NO. 2—MAY 19, 1958

VOL. 75, NO. 3—SEPTEMBER 16, 1958

VOL. 75, NO. 4—JANUARY 2, 1959

CONTENTS OF VOLUME 75

NUMBER 1

THE NESTING OF THE SHEARWATER <i>Puffinus carneipes</i> . By John Warham . . .	1
IN MEMORIAM: CHARLES FOSTER BATCHELDER. By Wendell Taber	15
COMMENTS ON THE PHYLOGENY AND SKULL OF THE PASSERIFORMES. By M. Jollie	26
STATUS OF GREBES IN EASTERN WASHINGTON. By Charles F. Yocom, Stanley W. Harris and Henry A. Hansen	36
OBSERVATIONS ON THE INCUBATION BEHAVIOR OF A COMMON NIGHTHAWK. By Milton W. Weller	48
RELATION OF "CLUTCH-SIZE" TO NUMBER OF OVA OVULATED BY STARLINGS. By David E. Davis	60
PROCEEDINGS OF THE SEVENTY-FIFTH STATED MEETING OF THE AMERICAN ORNITHOLOGISTS' UNION. By Harold Mayfield, Secretary	67
OFFICERS AND TRUSTEES OF THE AMERICAN ORNITHOLOGISTS' UNION	78
COMMITTEES 1957-1958	79
REPORT TO THE AMERICAN ORNITHOLOGISTS' UNION OF THE COMMITTEE ON BIRD PROTECTION, 1957	81
TREASURER'S REPORT FOR THE PERIOD OCTOBER 1, 1956-JULY 31, 1957 . . .	86
GENERAL NOTES	
Cattle Egret (<i>Bubulcus ibis</i>) Nesting in Cuba. By W. John Smith	89
Ross' Geese Nesting at Southampton Island, N.W.T., Canada. By Thomas W. Barry and Jay N. Eisenhart	89
Three Additions to the Avifaunal Records at Newfoundland. By Stuart S. Peters and Oliver H. Hewitt	90
Xantus' Murrelet (<i>Endomychura hypoleuca scrippsii</i>) from the State of Washington. By Bernard Feinstein	90
Swallow-tailed Kite in Bermuda. By Alfred O. Gross	91
An Erroneous Record of the Carolina Parakeet and Other Animals in Montana. By Thane S. Robinson	91
The Status of <i>Pteroglossus didymus</i> P. L. Sclater. By Herbert Friedmann	93
Trail's Flycatcher Breeding in North Carolina. By Wendell P. Smith and Henry M. Stevenson	95
A New United States Nesting Record for the Rose-throated Becard. By Seymour H. Levy .	95
Post-Copulatory Display in Fulvous and Black-bellied Tree Ducks. By Brooke Meanley and Anna Gilkeson Meanley	96
Further History of some Bald Eagle Nest Sites in East-Central Florida. By Joseph C. Howell	96
Nest of the Military Macaw in Durango. By Rollin H. Baker	98
Why Two Breast-Bands on the Killdeer? By Julian Huxley	98
Mourning Dove Growing a New Tail. By Nella B. Henney and J. T. Nichols	99
Hearing Ranges for Several Species of Birds. By Hubert Frings and Betty Slocum	99
Hummingbird Feeding Preferences. By Walker Van Riper	100
The Spelling of <i>Notharchus macrorhynchos hyperrhynchus</i> (Sclater). By Eugene Eisenmann	101
A Yellow Mutant of the Evening Grosbeak. By Aretas A. Saunders	101
Unilateral Microphthalmia in <i>Quiscalus quiscula</i> and Synophthalmia in <i>Mimus polyglottos</i> . By David Kenneth Wetherbee	101
First Record of the Five-striped Sparrow in the United States. By Laurence C. Binford .	103
REVIEWS.	104
RECENT LITERATURE. Edited by Frank McKinney	110
NOTES AND NEWS	117
OBITUARY	
Sir Norman Boyd Kinnear. By S. Dillon Ripley	119

NUMBER 2

NOTES ON THE BREEDING HABITS OF <i>Panyptila cayennensis</i> . By <i>F. Haverschmidt</i>	121
IN MEMORIAM: WALTER KENRICK FISHER. By <i>John Davis</i>	131
VARIATION IN THE GREAT HORNED OWLS OF MIDDLE AMERICA. By <i>J. Dan Webster and Robert T. Orr</i>	134
VARIATION IN SOUTH AMERICAN GREAT HORNED OWLS. By <i>Melvin A. Traylor</i>	143
BODY TEMPERATURES IN CALIFORNIA AND GAMBEL'S QUAIL. By <i>George A. Bartholomew and William R. Dawson</i>	150
LOCAL MOVEMENTS OF WOOD DUCKS (<i>Aix sponsa</i>). By <i>Paul A. Stewart</i>	157
REMAINS OF RARE AND EXTINCT BIRDS FROM ILLINOIS INDIAN SITES. By <i>Paul W. Parmalee</i>	169
NOTES ON NORTH AMERICAN MIGRANTS IN COLOMBIA. By <i>George J. Wallace</i>	177
NOTES ON THE BEHAVIOR OF THE FLYING STEAMER DUCK. By <i>M. Moynihan</i>	183
DISTRIBUTION AND ECOLOGY OF WHISTLING SWANS IN THE CHESAPEAKE BAY REGION. By <i>Robert Stewart and Joseph H. Manning</i>	203
GENERAL NOTES	
Recent Occurrences of the Manx Shearwater in Massachusetts. By <i>Dorothy E. Snyder</i>	213
First Occurrence of Little Blue Heron in Utah. By <i>Vance T. Wilson and William A. Reid</i>	214
The Feeding Habits of the Capped Heron (<i>Pelecanus pileatus</i>). By <i>F. Haverschmidt</i>	214
Masked Duck Collected in St. Croix, Virgin Islands. By <i>G. A. Seaman</i>	214
Fat Deposition on a Migrant Stilt Sandpiper. By <i>J. Woodford</i>	215
Great Auk Remains from a Florida Shell Midden. By <i>Penelope Hermes Weigel</i>	215
First Ancient Murrelet Collected in Colorado. By <i>John R. and Margaret M. Douglass</i>	216
A Releaser Mechanism in the Feeding of Nestling Chimney Swifts. By <i>A. J. Barton</i>	216
Distribution and Nests of <i>Panyptila cayennensis</i> in Brazil. By <i>Helmut Sick</i>	217
An Albino Purple Martin. By <i>Frederick C. Lincoln</i>	220
Absence of Natal Down in the White-eyed Vireo. By <i>Robert A. Norris</i>	221
Hooded Oriole Nesting under Eaves of a House. By <i>John J. Stophlet</i>	221
Common Grackle Kills and Eats House Sparrow. By <i>Kenneth Taylor</i>	222
Indigo Buntings in Lazuli Bunting Habitat in Southwestern Utah. By <i>Philip V. Wells</i>	223
An Observation of Luminosity in Birds. By <i>J. Y. Christmas</i>	224
The correct Gender of Generic Names Ending in <i>-rhynchus</i> , <i>-rhamphus</i> , <i>-gnathus</i> . By <i>Ernst Mayr</i>	225
Spittle Insects as Food of the Red-winged Blackbird. By <i>Paul R. Macklin</i>	225
REVIEWS	232
RECENT LITERATURE. Edited by <i>Frank McKinney</i>	235
NOTES AND NEWS	246

NUMBER 3

INCUBATION AND BODY TEMPERATURES IN THE YELLOW-EYED PENGUIN. By <i>Donald S. Farmer</i>	249
ANTICIPATORY FOOD-BRINGING IN THE PRAIRIE WARBLER. By <i>Val Nolan, Jr.</i>	263
IN MEMORIAM: LAWRENCE EMERSON HICKS. By <i>Edward S. Thomas</i>	279

THE FUNCTION OF THE SALT GLAND IN THE BROWN PELICAN. By <i>Knut Schmidt-Nielsen and Ragnar Fange</i>	282
COURTSHIP, HOSTILE BEHAVIOR, NEST-ESTABLISHMENT AND EGG LAYING IN THE EARED GREBE (<i>Podiceps caspicus</i>). By <i>Nancy M. McAllister</i>	290
FOOD REQUIREMENTS OF THE GOLDEN EAGLE. By <i>H. R. Fevold and John J. Craighead</i>	312
PAIR FORMATION, MUTUAL TAPPING AND NEST HOLE SELECTION OF RED-BELLIED WOODPECKERS. By <i>Lawrence Kilham</i>	318
REMARKS ON THE TAXONOMY OF SOME AMERICAN DOVES. By <i>Derek Goodwin</i>	330
FOOD HABITS AND AVAILABLE FOOD OF OVENBIRDS IN RELATION TO TERRITORY SIZE. By <i>Judith Stenger</i>	335
GENERAL NOTES	
Dry-Land Nest-Site of a Western Grebe Colony. By <i>Robert W. Nero, Fred W. Lahrman, and Fred G. Bard</i>	347
The Lesser Black-backed Gull in the New York City Area. By <i>Joseph R. Jehl, Jr.</i>	349
A Possible United States Breeding Area for the Violet-crowned Hummingbird. By <i>Seymour H. Levy</i>	350
Function of Cryptic White in the White-necked Raven. By <i>Richard F. Johnston</i>	350
Nest of Mockingbird in Pile of Fence Rails. By <i>J. J. Murray</i>	351
A Snake-eating Robin. By <i>Lawrence Kilham</i>	352
A Connecticut Breeding Record for the Blue-gray Gnatcatcher. By <i>Robert W. Lougee</i>	352
The Affinities of <i>Oreothraupis arremonops</i> . By <i>Robert W. Storer</i>	352
Recent Additions to the Avifauna of Alabama. By <i>Thomas A. Imhof</i>	354
Records of Eastern Birds from the Chiricahua Mountains of Arizona. By <i>William George</i>	357
House Martin (<i>Delichon urbica</i>) and Canary (<i>Serinus canaria</i>) in Bermuda. By <i>David B. Wingate</i>	359
REVIEWS	361
RECENT LITERATURE. Edited by <i>Frank McKinney</i>	365
NOTES AND NEWS	378

NUMBER 4

GROWTH AND DEVELOPMENT OF THE KING RAIL. By <i>Brooke Meanley and Anna Gilkeson Meanley</i>	381
IN MEMORIAM: WILLIAM ROWAN. By <i>W. Ray Salt</i>	387
THE "HATCHING MUSCLE" IN THE CHICK. By <i>Harvey I. Fisher</i>	391
AN ANALYSIS OF MIGRATING BIRDS KILLED AT A TELEVISION TOWER IN EAST-CENTRAL ILLINOIS, SEPTEMBER 1955-MAY 1957. By <i>Richard Brewer and Jack A. Ellis</i>	400
ON REGIONAL MOVEMENTS AND BODY WEIGHT OF BLACK-CAPPED CHICKADEES IN WINTER. By <i>Louise de Kiriline Lawrence</i>	415

SOME EFFECTS OF X-IRRADIATION ON THE BREEDING BIOLOGY OF EASTERN BLUEBIRDS. By <i>Robert A. Norris</i>	444
THE GLOSS OF EGGS. By <i>Nancy Wilson, Eric J. Preston</i> and <i>F. W. Preston</i>	456
GENERAL NOTES	
First North American Sighting and Photographic Record of Common Crane, <i>Grus grus</i> . <i>Brina Kessel</i> and <i>Robert W. Kelly</i>	465
A New Form of Nest in the Scimitar Babblers <i>Pomatorhinini</i> . By <i>E. Thomas Gilliard</i>	465
Extralimital Records for the Eastern Kingbird, Tree Swallow, and Blackpoll Warbler. By <i>Alexander Wetmore</i>	467
Notes from the North Polar Region. By <i>Spencer Apollonio</i>	468
An Ash-throated Flycatcher (<i>Myiarchus cinerascens cinerascens</i>) in Maryland. By <i>Stephen W. Simon</i>	469
Systematic Notes on the Olive Warbler. By <i>J. Dan Webster</i>	469
Unusual Nest and Nesting Behavior of a Mourning Warbler. By <i>George W. Cox</i>	473
Pied-billed Grebes Mistake Highway for Water. By <i>Henry L. Short</i> and <i>David E. Craigie</i>	473
Treatment of Foot Pox at a Feeding and Trapping Station. By <i>Don Bleitz</i>	474
A Winter Roost of Purple Finches (<i>Carpodacus purpureus</i>). By <i>Amelia R. Laskey</i>	475
Variation of Egg Size with Age of Parent. By <i>F. W. Preston</i>	476
Use of Concealing Posture by a Screech Owl. By <i>Wm. L. Putman</i>	477
Correcting an Old Albatross Error. By <i>Dorothy E. Snyder</i>	478
The Specific Name of the Bohemian Waxwing. By <i>Kenneth C. Parkes</i>	479
REVIEWS.	480
RECENT LITERATURE. Edited by <i>Frank McKinney</i>	485
NOTES AND NEWS	498
LETTER TO EDITOR: Name Changing by the International Commission. By <i>Austin L. Rand</i>	499
INDEX TO VOLUME 75. Prepared by <i>Col. L. R. Wolfe</i>	501

LIST OF PLATES

Plate	Opposite Page
1. WARHAM: Flesh-footed Shearwater.	1
2. WARHAM: Flesh-footed Shearwater.	4
3. WARHAM: Flesh-footed Shearwater.	8
4. TABER: Charles Foster Batchelder	15
5. WELLER: Common Nighthawk	48
6. MEANLEY: Fulvous Tree Duck (above and left)	96
LEVY: Nest of Rose-throated Becard (right)	96
7. SUTTON: Lesser Swallow-tailed or Cayenne Swift (<i>Panyptila cayennensis</i>)	121
8. HAVERSCHMIDT: Nest and nestling of <i>Panyptila cayennensis</i>	122
9. DAVIS: Walter Kenrick Fisher.	131
10. SICK: Nests of <i>Panyptila cayennensis</i>	217
11. RICHDAL: Yellow-eyed Penguins (<i>Megadyptes antipodes</i>) at their nest	249
12. THOMAS: Lawrence Emerson Hicks	279

13. McALLISTER: Nests of Eared Grebe	302
14. McALLISTER: Nests of Eared Grebe	303
15. NERO, LAHRMAN, AND BARD: Western Grebes escaping overland	347
16. NERO, LAHRMAN, AND BARD: Dry land colony of Western Grebes	348
17. NERO, LAHRMAN, AND BARD: Western Grebe nest (left above); standing (right above); downy young (below)	349
18. MEANLEY: Development of young King Rail	381
19. MEANLEY: Development of young King Rail	384
20. SALT: William Rowan	387
21. FISHER: Cross-sections of <i>M. complexus</i> of the chick	395
22. KESSEL AND KELLY: Common Crane, <i>Grus grus</i> (photograph by Earl L. Schene) (above)	465
GILLIARD: Nest of <i>Pomastostomus isidori</i> (below)	465

THE AUK

A Quarterly Journal of Ornithology

ORGAN OF THE AMERICAN ORNITHOLOGISTS' UNION

For publication in 'The Auk,' articles or notes must present material that is of significance to ornithologists and that has not been published elsewhere. All manuscripts should be typewritten, double spaced, with wide margins. Titles should be brief. Terminal bibliographies are used as a rule for long articles. Only works actually cited in the text are to be included in these bibliographies; works not so cited will be deleted by the editors. Where fewer than five references to literature are made, they may be inserted in parentheses in the text. References in manuscript for 'General Notes' should be in the text. Consult issues of 'The Auk' since January, 1949, for style of citation. Long articles should be summarized briefly. Footnotes, Roman numerals, and ruled tables are to be avoided. Acknowledgments belong in the text. Line drawings must be in India ink on white paper or drawing board; usually these should be planned for at least one-half reduction when printed. Thus, details and lettering must be correspondingly large. Legends must be brief. Photographs must be hard, glossy prints of good contrast. Common and scientific names of North American birds should follow the A.O.U. Check-List (Fifth Edition), except in taxonomic papers giving critical discussions and in justified special cases.

Proofs of all articles and notes will be sent to authors. Reprints from articles, 'General Notes,' and 'Correspondence' are to be paid for by the author. These must be ordered from the Editor on the blanks sent with the proof and must be returned with the proof. Printed covers can be furnished at additional cost.

All articles and notes submitted for publication and all books and publications intended for review should be sent to the Editor.

EUGENE EISENMANN, *American Museum of Natural History, Central Park West at 79th Street, New York 24, New York.*

All persons interested in ornithology are invited to join the American Ornithologists' Union. Application may be made to the Treasurer; dues for Members are \$4.00 per year. 'The Auk' is sent without charge to all classes of members not in arrears for dues.

Send changes of address, claims for undelivered or defective copies of 'The Auk,' and requests for information relative to advertising, subscriptions, back numbers of 'The Auk,' as well as for other publications of the Union, to the Treasurer.

CHARLES G. SIBLEY, *Fernow Hall, Cornell University, Ithaca, New York.*

OFFICERS OF THE AMERICAN ORNITHOLOGISTS' UNION

President: ERNST MAYR, Museum of Comparative Zoology, Harvard University, Cambridge 38, Massachusetts.

First Vice-President: AUSTIN L. RAND, Chicago Natural History Museum, Chicago 5, Illinois.

Second Vice-President: GEORGE H. LOWERY, JR., Museum of Zoology, Louisiana State University, Baton Rouge, Louisiana.

Editor: EUGENE EISENMANN, American Museum of Natural History, New York 24, New York.

Secretary: HAROLD F. MAYFIELD, River Road, RFD, Waterville, Ohio.

Treasurer: CHARLES G. SIBLEY, Fernow Hall, Cornell University, Ithaca, New York.

HAROLD S. PETERS

Senior Author, "Birds of Newfoundland"—
former Research Biologist,
U. S. Fish & Wildlife Service

Says:

Audubon Field Notes provides factual data on the populations and movements of birds as gathered by hundreds of observers throughout the United States and southern Canada. In addition this publication discusses the effects upon birdlife of the vagaries of weather, the increased use of pesticides, the obstruction to migration of TV towers and other high structures, and the modification of habitat due to changes in land use, suburban construction, and the building of super highways. I find AFN is invaluable to beginners and experts alike.

AUDUBON FIELD NOTES

Subscribe Today!

Subscription for one year	\$3.00
For two years	5.50
For three years	7.50
(Single copies of April issue—Christmas Bird Count, \$2.00)	

1130 Fifth Avenue, New York 28, N. Y.

AMERICAN ORNITHOLOGISTS' UNION

Publications for Sale

"Check-list of North American Birds"

Fifth Edition, 1957 postpaid \$8.00 per copy

"Recent Studies in Avian Biology"

479 pages, bound postpaid \$7.50 per copy

"Biographies of Members of the A.O.U."

Bound postpaid \$5.00 per copy

Unbound postpaid \$4.00 per copy

"Ten Year Indexes to The Auk"

Bound postpaid \$4.00 per copy

Unbound postpaid \$3.00 per copy



Write for price list of back issues of The Auk.

Order from: **The Treasurer,
American Ornithologists' Union,
Fernow Hall, Cornell University,
Ithaca, New York**