

*A Unique High-Fidelity Recording*

# An Evening in Sapsucker Woods

*The songs of birds and other denizens of a northeastern woodland*

Produced by P. P. KELLOGG and A. A. ALLEN

INTRODUCED on this delightful recording are the songs and calls of thirty-two inhabitants of Sapsucker Woods, a wildlife sanctuary and research center in central New York for the Laboratory of Ornithology at Cornell University. On the first side of the record Dr. Arthur A. Allen identifies the bird and amphibian voices often heard by watchers in Sapsucker Woods. Their experience is authentically and charmingly preserved for you on the second side of the record.

Beginning with the liquid song of the Veery, which blends smoothly into the song of the Wood Thrush, the sounds of nature continue without the interruption of human voice to a final chorus of frogs, toads, and owls. Here the listener may identify the species announced by Dr. Allen on the first side of the record.

*10-inch vinylite record, 33 $\frac{1}{3}$  rpm, \$4.95*

For information on other authentic records  
of nature's amazing voices write to:

## Cornell University Records

*A division of Cornell University Press  
124 Roberts Place, Ithaca, New York*

---

## Kodachrome Slides

*to match this record*

The Laboratory of Ornithology at Cornell University is now offering Kodachrome slides from the famous collection of Dr. A. A. Allen to match the species whose voices appear on this record.

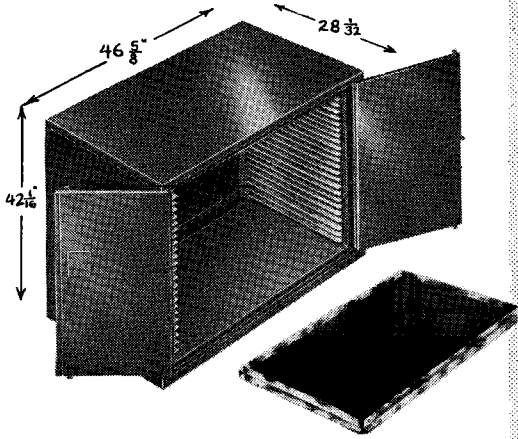
*Set of 35 slides to match LP record, \$18.00*

For information on other Kodachrome slide sets matching Cornell records, write directly to:

## Laboratory of Ornithology

CORNELL UNIVERSITY

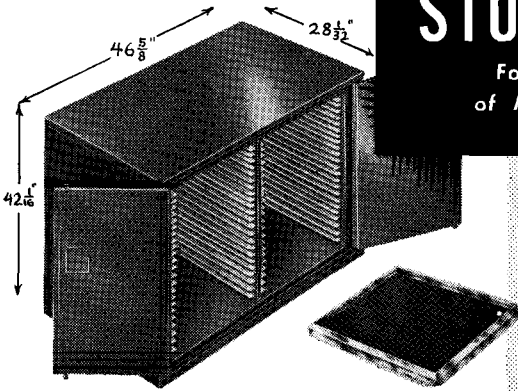
*33 Sapsucker Woods Road, Ithaca, New York*



Skin Case #201 for Large Trays

**SKIN CASES  
FOR  
MAXIMUM  
PROTECTION  
CONVENIENCE  
ECONOMY!**

*Lane*



Skin Case #202 for Small Trays

ZOOLOGICAL AND ORNITHOLOGICAL

**SPECIMEN  
STORAGE CASE**

*For Protective Storage  
of Mammal & Bird Skins*

- Locked "Live Rubber" Seal
- Sturdy double panel doors
- Locking mechanism secures both doors
- Tray guides permit maximum position of tray positions
- Fumigant Compartment
- Specimen Trays of aluminum and masonite — light weight — easy to handle.

FOR ILLUSTRATED BROCHURE WRITE

Institutional Division

CHAS J

*Lane* CORP

105 CHAMBERS STREET, NEW YORK 7, N. Y.

# THE AUK

A Quarterly Journal of Ornithology

ORGAN OF THE AMERICAN ORNITHOLOGISTS' UNION

For publication in 'The Auk,' articles or notes must present material that is of significance to ornithologists and that has not been published elsewhere. All manuscripts should be typewritten, double spaced, with wide margins. Titles should be brief. Terminal bibliographies are used as a rule for long articles. Only works actually cited in the text are to be included in these bibliographies; works not so cited will be deleted by the editors. Where fewer than five references to literature are made, they may be inserted in parentheses in the text. References in manuscript for 'General Notes' should be in the text. Consult issues of 'The Auk' since January, 1949, for style of citation. Long articles should be summarized briefly. Footnotes, Roman numerals, and ruled tables are to be avoided. Acknowledgments belong in the text. Line drawings must be in India ink on white paper or drawing board; usually these should be planned for at least one-half reduction when printed. Thus, details and lettering must be correspondingly large. Legends must be brief. Photographs must be hard, glossy prints of good contrast. Common and scientific names of North American birds should follow the A.O.U. Check-List (Fifth Edition), except in taxonomic papers giving critical discussions and in justified special cases.

Proofs of all articles and notes will be sent to authors. Reprints from articles, 'General Notes,' and 'Correspondence' are to be paid for by the author. These must be ordered from the Editor on the blanks sent with the proof and must be returned with the proof. Printed covers can be furnished at additional cost.

All articles and notes submitted for publication and all books and publications intended for review should be sent to the Editor.

EUGENE EISENMANN, *American Museum of Natural History, Central Park West at 79th Street, New York 24, New York.*

All persons interested in ornithology are invited to join the American Ornithologists' Union. Application may be made to the Treasurer; dues for Members are \$4.00 per year. 'The Auk' is sent without charge to all classes of members not in arrears for dues.

Send changes of address, claims for undelivered or defective copies of 'The Auk,' and requests for information relative to advertising, subscriptions, back numbers of 'The Auk,' as well as for other publications of the Union, to the Treasurer.

CHARLES G. SIBLEY, *Fernow Hall, Cornell University, Ithaca, New York.*

---

## OFFICERS OF THE AMERICAN ORNITHOLOGISTS' UNION

*President:* ERNST MAYR, Museum of Comparative Zoology, Harvard University, Cambridge 38, Massachusetts.

*First Vice-President:* AUSTIN L. RAND, Chicago Natural History Museum, Chicago 5, Illinois.

*Second Vice-President:* GEORGE H. LOWERY, JR., Museum of Zoology, Louisiana State University, Baton Rouge, Louisiana.

*Editor:* EUGENE EISENMANN, American Museum of Natural History, New York 24, New York.

*Secretary:* HAROLD F. MAYFIELD, River Road, RFD, Waterville, Ohio.

*Treasurer:* CHARLES G. SIBLEY, Fernow Hall, Cornell University, Ithaca, New York,

**ROBERT P. ALLEN**

Medalist, John Burroughs Association

**Says:**

"In analyzing the existing record of occurrence, nesting, dispersals and 'invasions' of North American herons, egrets and ibises over the past decade, no publication has been as helpful as *Audubon Field Notes*. Often the data required are already present, complete and exact, and if not, there are always ample clues for follow-up. In a very real sense, the contributors to AFN and their careful observations have been the backbone, and in many ways the inspiration, of our current wading birds survey."

**AUDUBON FIELD NOTES**

**SUBSCRIBE TODAY!**

Subscription for one year ..... \$3.00  
For two years ..... 5.50  
For three years ..... 7.50

(Single copies of April issue—Christmas Bird Count \$2.00)

1130 Fifth Avenue, New York 28, N. Y.

**UNIVERSITY OF MINNESOTA SUMMER SESSION**  
**The Biology Session**

At Lake Itasca Forestry and Biological Station

**JUNE 16 TO JULY 19, 1958**

Graduate and undergraduate field courses in ornithology, limnology, plant and animal ecology, mycology, entomology, algology, plant taxonomy, bryophytes, and pteridophytes, Teaching staff from the Universities of Minnesota, Wisconsin, Rutgers, Florida and California.

**FOR BULLETIN, write to:**

**DEAN, Summer Session, 836 Johnston Hall**  
**UNIVERSITY OF MINNESOTA, Minneapolis 14, Minnesota**

**BLEITZ WILDLIFE FOUNDATION have the following**  
**ALL NYLON mist nets available:**

60 denier, 2 ply, 1½" mesh, 7' wide. #1—18' length \$2.00; #2—30' \$2.50; #3—42' \$3.00; #4—60' \$4.00

**SPECIAL:** #2X soft nylon 1½" mesh, 7' x 30' very full for maximum capture \$4.00  
110 denier, 2 ply, 2¾" mesh, 7' wide. #5—18' length \$2.25; #2—30' \$2.50; #7—42' \$3.75; #8—60' \$5.50

210 denier, 2 ply, 4" mesh, 7' wide. #9—18' \$1.75; #10—30' \$2.25; #11—42' \$2.75; #12—60' \$3.75

#15—12' wide, 60' long 4" mesh special net for ducks, large shore birds, etc. \$12.50  
We recommend #1 thru 4 and 2X for the catching of small birds. #5 thru 8 for medium size birds and #9 thru 12 for large birds.

Please include your Federal Bird Banding Permit number when ordering nets.

California orders please include 4% sales tax.

If money is included with order we will pay the postage.

**BLEITZ WILDLIFE FOUNDATION**

1001 North McCadden Place

Los Angeles 38, California

**WANTED:** young man with good knowledge of birds to be trained as an assistant in color photography lab processes. Some photographic knowledge helpful but not required. This is a permanent full time position in Los Angeles.

**Apply to**

**MR. DON BLEITZ**

**1001 No. McCadden Place, Los Angeles 38, California**