

# THE AMERICAN ORNITHOLOGISTS' UNION

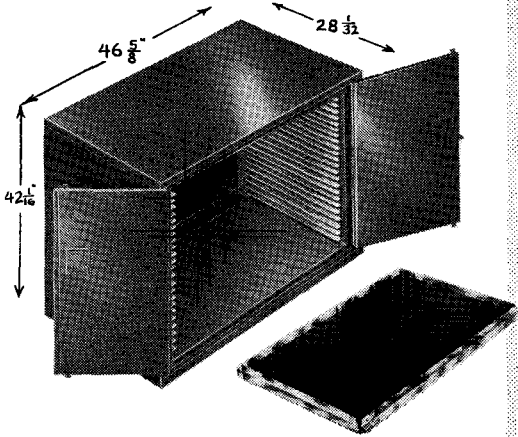
Rates and Space Dimensions for Advertisements in The Auk

<i>Space</i>	<i>Dimensions</i>	<i>Per Year (4 issues)</i>	<i>Per issue</i>
Full page	4½" x 7½"	\$200	\$65
½ page	4½" x 3⅝"	\$120	\$40
⅓ page	4½" x 2⅜"	\$ 75	\$25
¼ page	4½" x 1 13/16"	\$ 60	\$20

Advertisements suitable for inclusion in The Auk are solicited.

Address inquiries and space orders to:

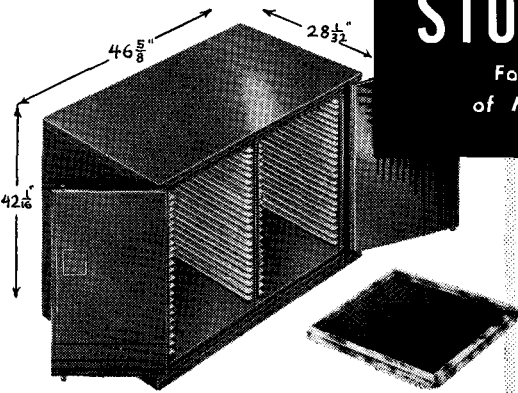
CHARLES G. SIBLEY, *Treasurer*  
Fernow Hall, Cornell University  
Ithaca, New York



Skin Case #201 for Large Trays

**SKIN CASES  
FOR  
MAXIMUM  
PROTECTION  
CONVENIENCE  
ECONOMY!**

*Lane*



Skin Case #202 for Small Trays

ZOOLOGICAL AND ORNITHOLOGICAL

**SPECIMEN  
STORAGE CASE**

*For Protective Storage  
of Mammal & Bird Skins*

- Locked "Live Rubber" Seal
- Sturdy double panel doors
- Locking mechanism secures both doors
- Tray guides permit maximum position of tray positions
- Fumigant Compartment
- Specimen Trays of aluminum and masonite — light weight — easy to handle.

FOR ILLUSTRATED BROCHURE WRITE

Institutional Division

CHAS J

*Lane* CORP

105 CHAMBERS STREET, NEW YORK 7, N. Y.

# THE AUK

A Quarterly Journal of Ornithology

ORGAN OF THE AMERICAN ORNITHOLOGISTS' UNION

For publication in 'The Auk,' articles or notes must present material that is of significance to ornithologists and that has not been published elsewhere. All manuscripts should be typewritten, double spaced, with wide margins. Titles should be brief. Terminal bibliographies are used as a rule for long articles. Only works actually cited in the text are to be included in these bibliographies; works not so cited will be deleted by the editors. Where fewer than five references to literature are made, they may be inserted in parentheses in the text. References in manuscript for 'General Notes' should be in the text. Consult issues of 'The Auk' since January, 1949, for style of citation. Long articles should be summarized briefly. Footnotes, Roman numerals, and ruled tables are to be avoided. Acknowledgments belong in the text. Line drawings must be in India ink on white paper or drawing board; usually these should be planned for at least one-half reduction when printed. Thus, details and lettering must be correspondingly large. Legends must be brief. Photographs must be hard, glossy prints of good contrast. Common and scientific names of North American birds should follow the A.O.U. Check-List and supplements except in taxonomic papers giving critical discussions.

Proofs of all articles and notes will be sent to authors. Reprints from articles, 'General Notes,' and 'Correspondence' are to be paid for by the author. These must be ordered from the Editor on the blanks sent with the proof and must be returned with the proof. Printed covers can be furnished at additional cost.

All articles and notes submitted for publication and all books and publications intended for review should be sent to the Editor.

ROBERT W. STORER, *Museum of Zoology, University of Michigan, Ann Arbor, Michigan.*

All persons interested in ornithology are invited to join the American Ornithologists' Union. Application may be made to the Treasurer; dues for Members are \$4.00 per year. 'The Auk' is sent without charge to all classes of members not in arrears for dues.

Send changes of address, claims for undelivered or defective copies of 'The Auk,' and requests for information relative to advertising, subscriptions, back numbers of 'The Auk,' as well as for other publications of the Union, to the Treasurer.

CHARLES G. SIBLEY, *Fernow Hall, Cornell University, Ithaca, New York.*

---

## OFFICERS OF THE AMERICAN ORNITHOLOGISTS' UNION

*President:* ERNST MAYR, *Museum of Comparative Zoology, Harvard University, Cambridge 38, Massachusetts.*

*First Vice-President:* GEORGE H. LOWERY, JR., *Museum of Zoology, Louisiana State University, Baton Rouge, Louisiana.*

*Second Vice-President:* AUSTIN L. RAND, *Chicago Natural History Museum, Chicago 5, Illinois.*

*Editor:* ROBERT W. STORER, *Museum of Zoology, University of Michigan, Ann Arbor, Michigan.*

*Secretary:* HAROLD F. MAYFIELD, *River Road, RFD, Waterville, Ohio.*

*Treasurer:* CHARLES G. SIBLEY, *Fernow Hall, Cornell University, Ithaca, New York.*

**G. CLIFFORD CARL**  
Canadian Museum Director

**Says:**

Naturally any tool that can be used in the recording and dissemination of knowledge is of great interest to museum people; and as one of these I regard *Audubon Field Notes* as one of the best in the study of birds. Not only does this publication give a remarkably accurate up-to-the-minute "bird's eye" view of the avian fauna across the continent but in time it will provide an invaluable source of material for bird students in the future, particularly those studying trends in populations on a long-range basis.

Another feature is that *Audubon Field Notes* makes it possible for every bird student, whether amateur or professional, in every part of North America, to contribute material. It is an inducement to all beginners to take part in something worthwhile.

### AUDUBON FIELD NOTES

**SUBSCRIBE TODAY!**

Subscription for one year..... \$3.00    Subscription for two years..... \$5.50  
Subscription for three years. \$7.50

(Separate copies of April issue—Christmas Bird Count \$2.00)

1130 Fifth Avenue, New York 28, N. Y.

**JUST PUBLISHED!**

## • Natural History of Birds

### A GUIDE TO ORNITHOLOGY

**Leonard W. Wing. Just Published!**  
This attractively illustrated book offers a concise study of birds in nature, treating their adaptations, origins, evolution, distribution, and abundance. It fully covers bird anatomy plus such

topics as heredity; age; sex; nesting; health; migration; and the ecological, territorial, and economic relations of birds. Book includes details on plumage, song, classification, nomenclature, and bird study afield.

277 ills., tables; 539 pp. \$6.75

Order your copies from:

**THE RONALD PRESS COMPANY • 15 E. 26th St., New York 10**

### THE ANCHORAGE

GRAND MANAN, NEW BRUNSWICK

Grand Manan is an unspoiled island in the Bay of Fundy off the coast of Maine. THE ANCHORAGE is a guest colony within the Provincial Wild Life Sanctuary. It has been the summer headquarters of many Audubon Society naturalists.

Over 250 species of birds have been recorded on Grand Manan. The olive-backed thrush, woodcock and white-winged crossbill are found in the spruce forests and adjacent islands afford excellent nesting sites for puffins, arctic terns, gulls, petrels and guillemots.

ACCOMMODATION is available from mid June through September. For further information write to:

**GERALD E. AND SALLY L'AVENTURE**  
8 Oriole Gardens, Toronto 7, Ontario

After June 1: Grand Manan, New Brunswick