

THE AMERICAN ORNITHOLOGISTS' UNION

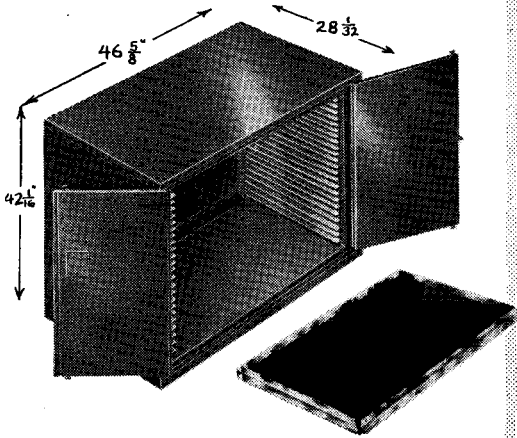
Rates and Space Dimensions for Advertisements in *The Auk*

<i>Space</i>	<i>Dimensions</i>	<i>Per Year (4 issues)</i>	<i>Per issue</i>
Full page	4½" x 7½"	\$200	\$65
½ page	4½" x 3⅝"	\$120	\$40
⅓ page	4½" x 2⅜"	\$ 75	\$25
¼ page	4½" x 1 13/16"	\$ 60	\$20

Advertisements suitable for inclusion in *The Auk* are solicited.

Address inquiries and space orders to:

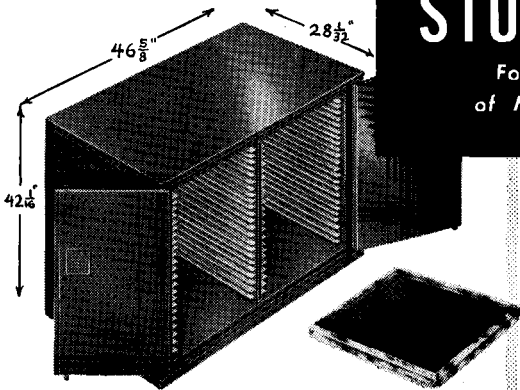
CHARLES G. SIBLEY, *Treasurer*
Fernow Hall, Cornell University
Ithaca, New York



Skin Case #201 for Large Trays

**SKIN CASES
FOR
MAXIMUM
PROTECTION
CONVENIENCE
ECONOMY!**

Lane



Skin Case #202 for Small Trays

ZOOLOGICAL AND ORNITHOLOGICAL
**SPECIMEN
STORAGE CASE**

*For Protective Storage
of Mammal & Bird Skins*

- Locked "Live Rubber" Seal
- Sturdy double panel doors
- Locking mechanism secures both doors
- Tray guides permit maximum position of tray positions
- Fumigant Compartment
- Specimen Trays of aluminum and masonite — light weight — easy to handle.

FOR ILLUSTRATED BROCHURE WRITE

Institutional Division

CHAS J

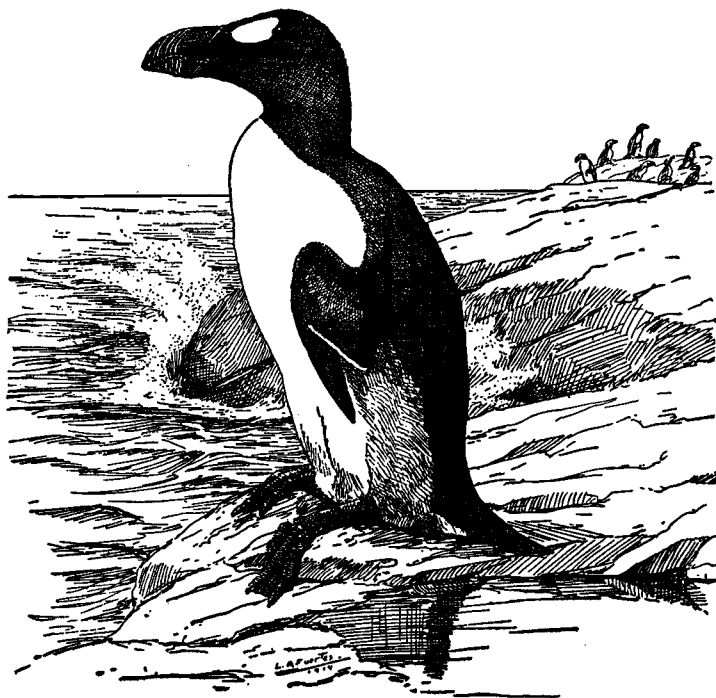
Lane CORP

105 CHAMBERS STREET NEW YORK 7, N. Y.

The Auk

A Quarterly Journal of Ornithology

EDITOR
ROBERT W. STORER



VOLUME 73

PUBLISHED BY

The American Ornithologists' Union

LANCASTER, PENNSYLVANIA

1956

DATES OF ISSUE OF 'THE AUK'

VOL. 73, No. 1—MARCH 7, 1956

VOL. 73, No. 2—JUNE 5, 1956

VOL. 73, No. 3—AUGUST 15, 1956

VOL. 73, No. 4—NOVEMBER 19, 1956

CONTENTS OF VOLUME 73

NUMBER 1

A REVIEW OF THE GENERA AND NESTING HABITS OF SWIFTS. By <i>David Lack</i>	1
ECOLOGICAL STUDY OF RUFFED GROUSE BROODS IN VIRGINIA. By <i>Robert E. Stewart</i>	33
VARIATIONS IN EGG CHARACTERISTICS OF THE HOUSE WREN. By <i>S. Charles Kendeigh, Theodore C. Kramer, and Frances Hamerstrom</i>	42
THE RECENT REAPPEARANCE OF THE DICKCISSEL (<i>Spiza americana</i>) IN EASTERN NORTH AMERICA. By <i>Alfred O. Gross</i>	66
IS THE GREAT WHITE HERON A GOOD SPECIES? By <i>Ernst Mayr</i>	71
ON THE LOONS OF BAFFIN ISLAND. By <i>George M. Sutton and David F. Parmelee</i>	78
THE LANDING FORCES OF DOMESTIC PIGEONS. By <i>Harvey I. Fisher</i>	85
THE SEVENTY-THIRD STATED MEETING OF THE AMERICAN ORNITHOLOGISTS' UNION. By <i>Harold Mayfield</i>	106
OFFICERS, TRUSTEES, AND COMMITTEES OF THE AMERICAN ORNITHOLOGISTS' UNION	117
REPORT OF THE COMMITTEE ON BIRD PROTECTION TO THE AMERICAN ORNITHOLOGISTS' UNION, 1955	119
TREASURER'S REPORT, FISCAL YEAR ENDING SEPTEMBER 30, 1955	124
GENERAL NOTES	
Observations on Birds "Hawking" Insects. By <i>L. M. Bartlett</i>	127
Notes on Courtship Behavior of Wild and Tame Blue Jays. By <i>Lawrence Kilham</i>	128
An Egg-bound Mourning Dove. By <i>Charles W. Kossack</i>	129
Starling at Vanderhoof, British Columbia. By <i>J. A. Munro</i>	130
Duck Blinds as Nest Sites for Great Blue Herons on the South Texas Coast. By <i>Gordon Gunter</i>	131
On the Reluctance of Gulls to Fly under Objects. By <i>Gordon Gunter</i>	131
Some Early Drawings of Canadian Birds. By <i>A. W. Schorger</i>	132
A Bibliographical Bonanza. By <i>W. L. McAtee</i>	133
Probable Breeding of the Northern Prairie Warbler (<i>Dendroica discolor discolor</i>) in Florida. By <i>Henry M. Stevenson</i>	134
Unusual Behavior of a Pied-billed Grebe (<i>Podilymbus podiceps</i>). By <i>Robert M. Laughlin</i>	134
Status of the Upland Plover in Lancaster County, Pennsylvania. By <i>Herbert H. Beck</i>	135
Pleistocene Birds from Eichelberger Cave, Florida. By <i>Pierce Brodkorb</i>	136
Two Albinistic Alder Flycatchers at Ann Arbor, Michigan. By <i>Andrew J. Berger</i>	137
<i>Streptoprocne semicollaris</i> in the lowlands of Sinaloa and Nyarit. By <i>Ernest P. Edwards and Frederick K. Hilton</i>	138
The Scientific Name of the Florida Prairie Warbler. By <i>Josselyn Van Tyne</i>	139
First Revisor of the Eastern Sapsuckers. By <i>A. L. Rand</i>	139
REVIEWS	140
RECENT LITERATURE. Edited by <i>Frank McKinney</i>	142

NUMBER 2

METEOROLOGICAL VARIABLES AND THE NORTHWARD MOVEMENT OF NOCTURNAL LAND BIRD MIGRANTS. By <i>Gilbert S. Raynor</i>	153
THE MONOTONY-THRESHOLD IN SINGING BIRDS. By <i>Charles Hartshorne</i>	176
OBSERVATIONS OF A NESTING COLONY OF AMERICAN BRANT. By <i>Thomas W. Barry</i>	193
COMPASS DIRECTIONAL TRAINING OF WESTERN MEADOWLARKS (<i>Sturnella neglecta</i>). By <i>Ursula von Saint-Paul</i>	203
VARIATION IN CAROLINA WREN SONGS. By <i>Donald J. Borror</i>	211
A POX VIRUS OF THE SLATE-COLORED JUNCO. By <i>C. Brooke Worth</i>	230
THE MIGRANT LOONS OF WESTERN PENNSYLVANIA. By <i>Frank W. Preston</i>	235
FOOD HABITS OF THE KING RAIL IN THE ARKANSAS RICE FIELDS. By <i>Brooke Meanley</i>	252
DYNAMICS OF RANGE EXPANSION OF CATTLE EGRETS IN FLORIDA. By <i>Dale W. Rice</i>	259
GENERAL NOTES	
An Interesting Displacement Movement in a Slate-colored Junco. By <i>Louise de Kiriline Lawrence</i>	267
The Following Reaction in a Brood of Mute Swans. By <i>Louise de Kiriline Lawrence</i>	268
Behavior of a Pratincole. By <i>M. Moynihan</i>	268
Unusual Bird Records for Ohio. By <i>Milton B. Trautman</i>	272
Ten-Year Life History of a Banded Chimney Swift. By <i>Ralph W. Dexter</i>	276
Preservation of Birds' Nests with Plastic Spray. By <i>J. L. Spencer</i> and <i>W. C. Kennard</i>	280
Large Swainson's Hawk Flight in South Texas. By <i>Robert P. Fox</i>	281
Vultures as Disseminators of Anthrax. By <i>Dillman S. Bullock</i>	283
Red-wing Nesting in Bird House. By <i>Robert W. Nero</i>	284
Breeding of the American Merganser in the Shenandoah Valley of Virginia. By <i>Harry G. M. Jopson</i>	285
Red-headed Woodpeckers (<i>Melanerpes erythrocephalus</i>) Feeding on Carolina Locusts. By <i>W. W. Judd</i>	285
Robin (<i>Turdus migratorius</i>) Feeding on Ocean Beach. By <i>Walden Pell, II</i>	286
A Cowbird Incident. By <i>A. D. Du Bois</i>	286
Baldpate (<i>Mareca americana</i>) Nesting in Minnesota. By <i>Frank R. Martin</i>	287
Unusual Behavior of a Golden Eagle in Southeastern New Mexico. By <i>Allen E. Anderson</i>	287
Marsh Hawk Pursues Domestic Cat. By <i>Daniel D. Berger</i>	288
Tree Sparrows (<i>Spizella arborea</i>) Feeding on the Common Reed. By <i>Maurice L. Russak</i>	288
Relation of the Tail Length of Cock Ring-necked Pheasants to Harem Size. By <i>Aelred D. Geis</i> and <i>Lucien H. Elbert</i>	289
Eastern Meadowlark (<i>Sturnella magna</i>) Eating a Traffic-killed Bird. By <i>John K. Terres</i>	289
Mourning Dove and Dickcissel on the Atlantic Ocean. By <i>Donald W. Lamm</i>	290
Masked Duck and Jacana at Brownsville, Texas. By <i>Frederick W. Loetscher, Jr.</i>	291
Masked Duck in Florida. By <i>Frances Hames</i>	291

REVIEWS	292
RECENT LITERATURE. Edited by <i>Frank McKinney</i>	300
NOTES AND NEWS	310
OBITUARIES	312

NUMBER 3

HOSTILE BEHAVIOR AND REPRODUCTIVE ISOLATING MECHANISMS IN THE AVIAN GENERA <i>Catharus</i> AND <i>Hylocichla</i> . By <i>William C. Dilger</i>	313
A NESTING OF THE COLLARED TROGON. By <i>Alexander F. Skutch</i>	354
IN MEMORIAM: THEODORE SHERMAN PALMER. By <i>W. L. McAtee</i>	367
SOME MECHANISMS OF FAMILY INTEGRATION IN DUCKS. By <i>Nicholas E. Collias</i> and <i>Elsie C. Collias</i>	378
A WINTER POPULATION STUDY OF THE WESTERN WINTER WREN. By <i>Richard</i> <i>E. Phillips</i> and <i>Hugh C. Black</i>	401
ROOSTING BEHAVIOR OF THE STARLING IN CENTRAL PENNSYLVANIA. By <i>Joseph F. Jumper</i>	411
ON THE ANATOMY OF THE RED BIRD OF PARADISE, WITH COMPARATIVE RE- MARKS ON THE CORVIDAE. By <i>Andrew J. Berger</i>	427
THIRTY-FIRST SUPPLEMENT TO THE AMERICAN ORNITHOLOGISTS' UNION CHECK- LIST OF NORTH AMERICAN BIRDS.	447
GENERAL NOTES	
Bower Ornamentation versus Plumage Characters in Bower-birds. By <i>E. Thomas Gilliard</i>	450
Winter Feeding on Sap by Sapsucker. By <i>Lawrence Kilham</i>	451
Further Notes on Alcoholic Specimens. By <i>Andrew J. Berger</i>	452
California Gulls and Herring Gulls Breeding in the Same Colony. By <i>M. Moynihan</i>	453
A Preliminary Study of Subspecies of Savannah Sparrows at the Savannah River Plant, South Carolina. By <i>David W. Johnston</i>	454
Waterfowl Reaction to an Earthquake. By <i>H. Elliott McClure</i>	456
Nesting of the Pygmy Palm-Swift. By <i>James Bond</i>	457
The Little Egret, a New Bird for North America. By <i>W. Earl Godfrey</i>	457
An Anomalous Condition in the Eye of Some Hawks. By <i>Rexford D. Lord</i>	457
REVIEWS	458
RECENT LITERATURE. Edited by <i>Frank McKinney</i>	462
NOTES AND NEWS	472

NUMBER 4

NOTES ON THE BRAZILIAN MERGANSER IN ARGENTINA. By <i>William H. Partridge</i>	473
THE CAPE SABLE SEASIDE SPARROW: ITS FORMER AND PRESENT DISTRIBUTION. By <i>Louis A. Stimson</i>	489
A COMPARATIVE STUDY OF "ADVERTISING SONG" IN THE <i>Hylocichla</i> THRUSHES. By <i>Robert Carrington Stein</i>	503
IN MEMORIAM: STANLEY GORDON JEWETT. By <i>Ira N. Gabrielson</i>	513
VARIATION IN <i>Deconychura longicauda</i> IN CENTRAL AMERICA AND COLOMBIA. By <i>Thomas R. Howell</i>	517
EFFECTS OF DDT, TOXAPHENE, AND DIELDRIN ON PHEASANT REPRODUCTION. By <i>Richard E. Genelly</i> and <i>Robert L. Rudd</i>	529
THE SAGE HEN IN WASHINGTON STATE. By <i>Charles F. Yocom</i>	540
GENERAL NOTES	
Birds of Yang-Do, Korea. By <i>Don J. Neff</i>	551
On <i>Cuculus canorooides</i> S. Müller. By <i>G. C. A. Junge</i>	555
Height of a Flock of Migrating Ducks. By <i>Carl D. Riggs</i>	556
Spittle Insects as Food of Prairie Warblers. By <i>Val Nolan Jr.</i>	557
Titmice Killing Other Birds. By <i>Gerd Diesselhorst</i>	558
Cowbird Parasitism on Brown Thrasher. By <i>Tilford Moore</i>	558
Lark Sparrow (<i>Chondestes grammacus</i>) on Bimini, Bahamas, B.W.I. By <i>Richard E. Tashian</i>	558
Great Black-backed Gulls nesting on Little Haystack Island, Lake Huron. By <i>Howard H. Krug</i>	559
<i>Bubulcus ibis</i> in the Cauca Valley, Colombia. By <i>Prof. Armando Dugand</i>	559
The Growth of a Chickadee's Tail Feathers. By <i>Aretas A. Saunders</i>	560
The Bean Goose and Other Birds from St. Lawrence Island, Alaska. By <i>Alfred M. Bailey</i>	560
REVIEWS	561
RECENT LITERATURE. Edited by <i>Frank McKinney</i>	564
OBITUARIES	
Hans Thomas Lange Schaanning; Robert Poncy	582
INDEX TO VOLUME 73. Prepared by <i>Col. L. R. Wolfe</i>	583

LIST OF PLATES

Plate	Opposite page
1. KENDEIGH, KRAMER, and HAMERSTROM: House Wren Eggs	50
2. KENDEIGH, KRAMER, and HAMERSTROM: House Wren Eggs	50
3. BORROR: Audiospectrographs of Carolina Wren Songs.	216
4. BORROR: Audiospectrographs of Carolina Wren Songs.	216
5. BORROR: Audiospectrographs of Carolina Wren Songs.	216
6. BORROR: Audiospectrographs of Carolina Wren Songs.	216
7. BORROR: Audiospectrographs of Carolina Wren Songs.	216
8. BORROR: Audiospectrographs of Carolina Wren Songs.	216
9. BORROR: Audiospectrographs of Carolina Wren Songs.	216

10. BORROR: Audiospectrographs of Carolina Wren Songs.	216
11. BORROR: Audiospectrographs of Carolina Wren Songs.	216
12. WORTH: Pox Virus of Slate-colored Junco	230
13. WORTH: Pox Virus of Slate-colored Junco	231
14. DILGER: Hostile Encounter between two Veeries	313
15. MCATEE: Theodore Sherman Palmer	367
16. PARTRIDGE: Brazilian Mergansers, from a painting by Don R. Eckelberry. (in color)	473
17. PARTRIDGE: Habitat of the Brazilian Merganser	480
18. PARTRIDGE: Nest Site of the Brazilian Merganser.	480
19. PARTRIDGE: Brazilian Mergansers.	481
20. PARTRIDGE: Downy Young of the Brazilian Merganser, from a wash drawing by William A. Lunk	481
21. STEIN: Audiospectrographs of Songs of the Wood Thrush	504
22. STEIN: Audiospectrographs of Songs of the Veery and Olive-backed Thrush .	504
23. STEIN: Audiospectrographs of Songs of the Hermit Thrush.	505
24. STEIN: Audiospectrographs of Songs of the Gray-cheeked Thrush.	505
25. GABRIELSON: Stanley Gordon Jewett.	513
26. HOWELL: <i>Deconychura longicauda</i>	520
27. HOWELL: <i>Deconychura longicauda</i>	521
28. YOCOM: Sage Hen Range in Washington State	544

THE AUK

A Quarterly Journal of Ornithology

ORGAN OF THE AMERICAN ORNITHOLOGISTS' UNION

For publication in 'The Auk,' articles or notes must present material that is of significance to ornithologists and that has not been published elsewhere. All manuscripts should be typewritten, double spaced, with wide margins. Titles should be brief. Terminal bibliographies are used as a rule for long articles. Only works actually cited in the text are to be included in these bibliographies; works not so cited will be deleted by the editors. Where fewer than five references to literature are made, they may be inserted in parentheses in the text. References in manuscript for 'General Notes' should be in the text. Consult issues of 'The Auk' since January, 1949, for style of citation. Long articles should be summarized briefly. Footnotes, Roman numerals, and ruled tables are to be avoided. Acknowledgments belong in the text. Line drawings must be in India ink on white paper or drawing board; usually these should be planned for at least one-half reduction when printed. Thus, details and lettering must be correspondingly large. Legends must be brief. Photographs must be hard, glossy prints of good contrast. Common and scientific names of North American birds should follow the A.O.U. Check-List and supplements except in taxonomic papers giving critical discussions.

Proofs of all articles and notes will be sent to authors. Reprints from articles, 'General Notes,' and 'Correspondence' are to be paid for by the author. These must be ordered from the Editor on the blanks sent with the proof and must be returned with the proof. Printed covers can be furnished at additional cost.

All articles and notes submitted for publication and all books and publications intended for review should be sent to the Editor.

ROBERT W. STORER, *Museum of Zoology, University of Michigan, Ann Arbor Michigan.*

All persons interested in ornithology are invited to join the American Ornithologists' Union. Application may be made to the Treasurer; dues for Members are \$4.00 per year. 'The Auk' is sent without charge to all classes of members not in arrears for dues.

Send changes of address, claims for undelivered or defective copies of 'The Auk,' and requests for information relative to advertising, subscriptions, back numbers of 'The Auk,' as well as for other publications of the Union, to the Treasurer.

CHARLES G. SIBLEY, *Fernow Hall, Cornell University, Ithaca, New York.*

OFFICERS OF THE AMERICAN ORNITHOLOGISTS' UNION

President: ALDEN H. MILLER, University of California, Museum of Vertebrate Zoology, Berkeley 4, California.

First Vice-President: LUDLOW GRISCOM, Harvard University, Museum of Comparative Zoology, Cambridge 38, Massachusetts.

Second Vice-President: ERNST MAYR, Harvard University, Museum of Comparative Zoology, Cambridge 38, Massachusetts.

Editor: ROBERT W. STORER, University of Michigan, Museum of Zoology, Ann Arbor, Michigan.

Secretary: HAROLD F. MAYFIELD, River Road, R. F. D., Waterville, Ohio.

Treasurer: CHARLES G. SIBLEY, Cornell University, Fernow Hall, Ithaca, New York.

AARON M. BAGG
Bird Migration Student

Says:

In all the world and its ever-increasing volume of literature dealing with birds, *Audubon Field Notes* is the only publication which regularly reports the birdlife of a major portion of a continent. Wherever a bird student lives in the United States or in southern Canada, this bimonthly magazine not only welcomes his records, but also correlates them with similar records over extensive areas, thus endowing them with something more than local, county, or even state and provincial significance. This is important scientifically. But its value is inestimable to the individual who wishes to see how his bird observations fit into the whole broad sweep of the birdlife of North America.

AUDUBON FIELD NOTES

SUBSCRIBE TODAY!

Subscription for one year..... \$3.00 Subscription for two years..... \$5.50
Subscription for three years. \$7.50

(Separate copies of April issue—Christmas Bird Count \$2.00)

1130 Fifth Avenue, New York 28, N. Y.

"Recent Studies in Avian Biology"

by

Members of the Research Committee of the American Ornithologists' Union is available for immediate mailing.

It contains chapters, written by well-known ornithologists, on many aspects of the biology of birds. Systematics, paleontology, anatomy, behavior, migration, endocrinology, populations, banding and diseases of birds are discussed by authorities in each field.

479 pages, bound, \$7.50 postpaid. Order your copy from the

AMERICAN ORNITHOLOGISTS' UNION

CHARLES G. SIBLEY, *Treasurer*

Fernow Hall, Cornell University

Ithaca, New York