

Skin Case #201 for Large Trays

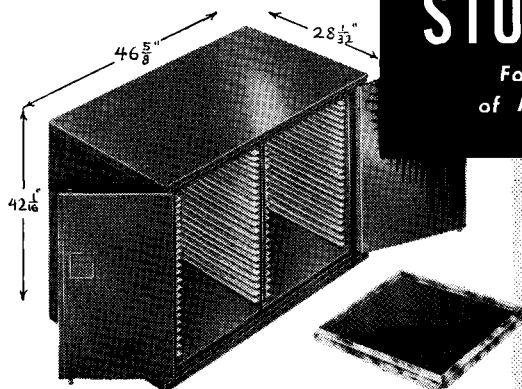
**SKIN CASES  
FOR  
MAXIMUM  
PROTECTION  
CONVENIENCE  
ECONOMY!**

*Lane*

ZOOLOGICAL AND ORNITHOLOGICAL

**SPECIMEN  
STORAGE CASE**

*For Protective Storage  
of Mammal & Bird Skins*



Skin Case #202 for Small Trays

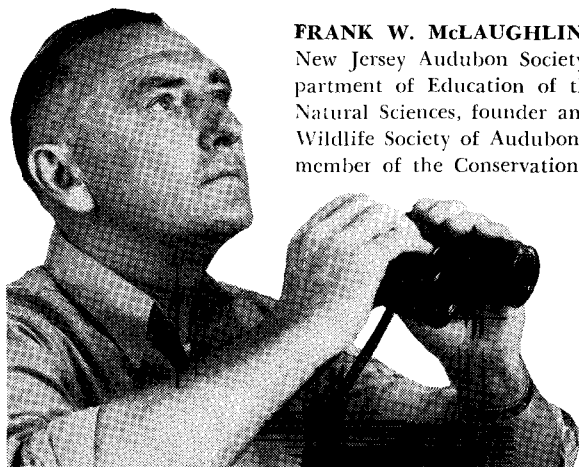
- Locked "Live Rubber" Seal
- Sturdy double panel doors
- Locking mechanism secures both doors
- Tray guides permit maximum position of tray positions
- Fumigant Compartment
- Specimen Trays of aluminum and masonite — light weight — easy to handle.

FOR ILLUSTRATED BROCHURE WRITE

**Institutional Division**

CHAS J *Lane* CORP

105 CHAMBERS STREET, NEW YORK 7, N. Y.

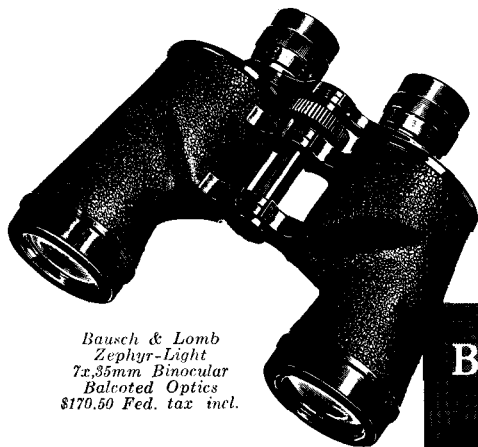


**FRANK W. McLAUGHLIN** is Field Executive for the New Jersey Audubon Society, staff naturalist in the Department of Education of the Philadelphia Academy of Natural Sciences, founder and president of the Audubon Wildlife Society of Audubon, N. J., Executive Committee member of the Conservation Council of New Jersey, and a Director of the Philadelphia Conservationists, Inc. A lifetime interest in nature, beginning with his boyhood in rural southern New Jersey, has qualified Mr. McLaughlin as a top-ranking naturalist, wildlife photographer, lecturer and conservationist.

## "...to distinguish the delicate field marks..."

**WRITES FRANK McLAUGHLIN:** "Naturalists, both amateur and professional, appreciate the value of split-second critical focusing, brilliance of image and wide field of view in binoculars. These three factors are most important to distinguish the delicate field marks of wildlife—especially when observed moving through the green half-light of a woodland, or hiding among the shadows of fairly dense foliage. My Bausch & Lomb 7X,35 Binocular meets these rigid requirements."

*Frank W. McLaughlin*



*Bausch & Lomb  
Zephyr-Light  
7x.35mm Binocular  
Balcoated Optics  
\$170.50 Fed. tax incl.*

### **WRITE FOR FREE CATALOG.**

32 pages of useful information you should know before you buy any binocular. Tells how to select a glass for your own use. Bausch & Lomb Optical Co., 12240 Lomb Park, Rochester 2, N. Y.

**BAUSCH & LOMB**



# THE AUK

A Quarterly Journal of Ornithology

ORGAN OF THE AMERICAN ORNITHOLOGISTS' UNION

For publication in 'The Auk,' articles or notes must present material that is of significance to ornithologists and that has not been published elsewhere. All manuscripts should be typewritten, double spaced, with wide margins. Titles should be brief. Terminal bibliographies are used as a rule for long articles. Only works actually cited in the text are to be included in these bibliographies; works not so cited will be deleted by the editors. Where fewer than five references to literature are made, they may be inserted in parentheses in the text. References in manuscript for 'General Notes' should be in the text. Consult issues of 'The Auk' since January, 1949, for style of citation. Long articles should be summarized briefly. Footnotes, Roman numerals, and ruled tables are to be avoided. Acknowledgments belong in the text. Line drawings must be in India ink on white paper or drawing board; usually these should be planned for at least one-half reduction when printed. Thus, details and lettering must be correspondingly large. Legends must be brief. Photographs must be hard, glossy prints of good contrast. Common and scientific names of North American birds should follow the A.O.U. Check-List and supplements except in taxonomic papers giving critical discussions.

Proofs of all articles and notes will be sent to authors. Reprints from articles, 'General Notes,' and 'Correspondence' are to be paid for by the author. These must be ordered from the Editor on the blanks sent with the proof and must be returned with the proof. Printed covers can be furnished at additional cost.

All articles and notes submitted for publication and all books and publications intended for review should be sent to the Editor.

ROBERT W. STORER, *Museum of Zoology, University of Michigan, Ann Arbor, Michigan.*

All persons interested in ornithology are invited to join the American Ornithologists' Union. Application may be made to the Treasurer; dues for Members are \$4.00 per year. 'The Auk' is sent without charge to all classes of members not in arrears for dues.

Send changes of address, claims for undelivered or defective copies of 'The Auk,' and requests for information relative to advertising, subscriptions, back numbers of 'The Auk,' as well as for other publications of the Union, to the Treasurer.

CHARLES G. SIBLEY, *Fernow Hall, Cornell University, Ithaca, New York.*

---

## OFFICERS OF THE AMERICAN ORNITHOLOGISTS' UNION

*President:* ALDEN H. MILLER, University of California, Museum of Vertebrate Zoology, Berkeley 4, California.

*First Vice-President:* LUDLOW GRISCOM, Harvard University, Museum of Comparative Zoology, Cambridge 38, Massachusetts.

*Second Vice-President:* ERNST MAYR, Harvard University, Museum of Comparative Zoology, Cambridge 38, Massachusetts.

*Editor:* ROBERT W. STORER, University of Michigan, Museum of Zoology, Ann Arbor, Michigan.

*Secretary:* HAROLD F. MAYFIELD, 2557 Portsmouth Avenue, Toledo 13, Ohio.

*Treasurer:* CHARLES G. SIBLEY, Cornell University, Fernow Hall, Ithaca, New York

**CHARLES BROOKFIELD**  
Audubon Wildlife Tour Leader

**Says:**

For bird-minded people *Audubon Field Notes* answers the questions so often asked me "Will I see this bird here at this time of year? If not, where should I go to see it?" Birders who want to know what unusual birds are seen in their area need *Audubon Field Notes*. Those planning vacation trips will find information on what species are seen, and where, at any season in the United States and Canada. I consider *Audubon Field Notes* a necessity for bird observers.

### AUDUBON FIELD NOTES

**SUBSCRIBE TODAY!**

Subscription for one year..... \$3.00    Subscription for two years..... \$5.50  
Subscription for three years. \$7.50

(Separate copies of the Christmas Bird Count—April issue \$2.00)

1130 Fifth Avenue, New York 28, N. Y.

### UNIVERSITY OF MINNESOTA SUMMER SESSION

Lake Itasca Forestry and Biological Station

June 13 to July 16, 1955

Graduate and undergraduate field courses in ornithology, limnology, plant and animal ecology, mycology, entomology, algology, plant taxonomy, bryophytes, and pteridophytes.

Teaching staff from the Universities of Minnesota, Wisconsin, Ohio State and Rutgers.

For bulletin write to: DEAN, SUMMER SESSION, 540 Johnston Hall  
UNIVERSITY OF MINNESOTA, Minneapolis 14, Minnesota

### BIOGRAPHIES OF MEMBERS OF THE AMERICAN ORNITHOLOGISTS' UNION

By Dr. T. S. Palmer and others. Containing  
1,200 biographies reprinted from  
"The Auk," 1884-1954. Price: Bound \$5; Unbound \$4

Ten Year Indexes to "The Auk" at \$4 bound, \$3 unbound.

Check-list Supplements at \$.25 each. Price list of available  
back issues of "The Auk" will be sent upon request.

• • •

**CHARLES G. SIBLEY, Treasurer**  
Fernow Hall, Cornell University, Ithaca, N. Y.