

PATRONS, FELLOWS, MEMBERS, AND ASSOCIATES OF THE
AMERICAN ORNITHOLOGISTS' UNION, OCTOBER, 1953

PATRONS

CARNES, MRS. HERBERT E., 25 Kenwood Road, Tenafly, New Jersey...	(1944)	1952
DEANE, MRS. RUTHVEN, 830 Hibbard Rd., Winnetka, Illinois.....	(1935)	1935
LLOYD, HOYES, 582 Mariposa Ave., Rockcliffe Park, Ottawa, Ontario, Canada (1916).....		1945
McILHENNY, EDWARD AVERY (deceased).....		1945
MERRIAM, CLINTON HART (Founder—deceased).....		1937
NICHOLS, JOHN TREADWELL, American Museum of Natural History, Central Park West at 79th Street, New York 24, New York.....	(1901)	1951
STONE, MRS. WITMER (deceased).....		1940
STONER, MRS. DAYTON, 399 State St., Albany, New York.....	(1944)	1946
TUCKER, MRS. CARLL, 733 Park Avenue, New York, New York.....	(1924)	1952
WHARTON, WILLIAM PICKMAN, Groton, Massachusetts.....	(1907)	1945

HONORARY FELLOWS

BANNERMAN, DR. DAVID ARMITAGE, 120 Rivermead Court, Hurling- ham, London, S. W. 6, England.....	(1916)	1941
BERLIOZ, PROF. JACQUES, Museum d'Histoire Naturelle, 55 Rue de Buffon, Paris, France.....	(1923)	1938
FALLA, DR. ROBERT ALEXANDER, Dominion Museum, Wellington, New Zealand.....	(1937)	1949
GHIGI, PROF. ALESSANDRO, Direttore del Laboratorio de Zoologia ap- plicata alla Caccia, Via S. Giacomo, 9 Bologna, Italy.....	(1921)	1949
GYLDENSTOLPE, COUNT NILS [CARL GUSTAFFERSEN], Naturhistoriska Riksmuseum, Stockholm 50, Sweden.....	(1918)	1934
HAAGNER, ALWIN KARL, P. O. Box 451, Pietermaritzburg, Natal, South Africa.....	(1916)	1918
KINNEAR, SIR NORMAN BOYD, British Museum (Natural History), Cromwell Rd., London, S. W. 7, England.....	(1931)	1934
KURODA, DR. NAGAMICHI, Fukuyoshi Cho, Akasaka, Tokyo, Japan....	(1918)	1921
LACK, DR. DAVID, Edward Grey Institute of Field Ornithology, Depart- ment of Zoological Field Studies, Botanic Garden, Oxford, England.....	(1939)	1946
LORENZ, PROF. KONRAD, Schloss Buldern über Dülmen, Westfalen, Germany.....	(1938)	1951
MEINERTZHAGEN, COL. RICHARD, 17 Kensington Park Gardens, London W. 11, England.....	(1916)	1928
MOREAU, R[EGINALD] E[RNEST], The Yews, Berrick, near Benson, Oxon, England.....	(1938)	1949
PALMGREN, PROF. PONTUS, Zoologiska Museet, N. Järnvägsgatan 13, Helsingfors, Finland.....	(1932)	1946
PINTO, DR. OLIVÉRIO MÁRIO DE OLIVEIRA, Department of Zoology, Bureau of Agriculture, Industria e Comercio, São Paulo, Brazil, South America.....	(1940)	1945
STRESEMANN, PROF. ERWIN, Berlin-Charlottenburg, Wandalenallee 38, Germany.....	(1922)	1930
THOMSON, SIR A[RTHUR] LANDBOROUGH, 42 Girdwood Road, South- fields, London, S. W. 18, England.....	(1922)	1951

CORRESPONDING FELLOWS

ALEXANDER, WILFRID BACKHOUSE, Edward Grey Institute, Department of Zoological Field Studies, Botanic Gardens, Oxford, England	1921
ALFARO, DON ANASTASIO, San José, Costa Rica	1888
ALI, SALIM A., 33 Pali Hill, Bandra, Bombay 20, India	1944
ARMSTRONG, E[DWARD] A[LLWORTHY], St. Mark's Vicarage, Barton Road, Cambridge, England	1951
BAXTER, MISS EVELYN VIDA, The Grove, Upper Largo, Fife, Scotland	1919
BEAUFORT, PROF. LIEVEN FERDINAND DE, De Hooge Kley, Amersfoort, Netherlands	1926
BELCHER, SIR CHARLES FREDERIC, South Kinangop, Kenya	1934
BERTONI, DR. ARNOLDO DE WINKELREID, Puerto Bertoni, Paraguay, South America	1919
BRYANT, CHARLES ERNEST WILLIAM, 394-396 Collins Street, Melbourne, Australia	1949
CHISHOLM, ALEXANDER HUGH, Angus & Robertson, Ltd., 89 Castlereagh St., Sydney, Australia	1922
DAVID-BEAULIEU, ANDRÉ, Chateau Coutet, Saint-Émillion (Gironde), France	1949
DE LAVALLE, JOSÉ ANTONIO, Lima, Perú	1925
DEMENTIEV, PROF. GEORGES, Zoological Museum, Moscow Government University, Moscow, 9, U. S. S. R.	1934
DOMANIEWSKI, PROF. JANUSZ WITOLD, Museum Tatrzańskie, Zakopane, Poland	1926
DROST, DR. RUDOLF, Mitscherlichstr. 54, (23) Wilhelmshaven, Germany	1934
DUGAND, ARMANDO, Universidad Nacional, Instituto de Ciencias Naturales, Apartada Postal No. 2535, Bogotá, Colombia	1952
ENGELBACH, DR. PIERRE, 10 rue Copernic, Paris XVI ^e , France	1949
FISHER, JAMES [MAXWELL McCONNELL], Old Rectory, Ashton, Northampton, England	1951
GIBSON-HILL, CARL ALEXANDER, Raffles Museum, Singapore, Malaya	1951
GOODALL, J[ACK] [WILLIAM] D[AVIES], Casilla 2238, Santiago, Chile	1952
GRANT, CLAUDE HENRY BAXTER, 8 Cornwall Gardens Court, 50 Cornwall Gardens, London, S. W. 7, England	1920
GROEBBELS, DR. FRANZ, Physiologischer Institut Krankenhaus, Hamburg, Eggendorf, Germany	1933
HAVERSCHMIDT, FRANÇOIS, P. O. Box 644, Paramaribo, Surinam, Dutch Guiana	(1928) 1950
HINDWOOD, DR. K. A., Wingello Place, Angel Place, Sydney, New South Wales	1938
HUXLEY, DR. JULIAN SORRELL, 31 Pond St., Hampstead, London, N. W. 3, England	1941
INGRAM, COLLINGWOOD, The Grange, Benenden, Cranbrook, Kent, England	1920
IREDALE, TOM, c/o Australian Museum, Sydney, New South Wales	1918
JOHNSON, ALFRED WILLIAM, Casilla 327, Santiago, Chile	(1950) 1952
JUNGE, DR. G. C. A., Rijksmuseum van Natuurlijke Historie, Leiden, Netherlands	1939
KRAMER, DR. GUSTAV, Max Planck Institut für Meeresbiologie, (23) Wilhelmshaven, Germany	1951
LAUBMANN, DR. ALFRED, Karolingerstrasse 18/11, (13b) München 9, Bayern, U. S. Zone, Germany	1923

MACDONALD, JAMES DAVID, British Museum (Natural History), Cromwell Road, London, S. W. 7, England	1949
MAYAUD, NOËL, 80 rue du Ranelagh, Paris XVI, France	1949
MEISE, DR. WILHELM, Bornplatz 5, Hamburg 13, Germany	1938
MOLTONI, DR. EDGARDO, Direttore del Museo Civico, Corso Venezia 55, Milano, Italy	1936
MOMIYAMA, TOKU TARO, 1146 Sasazka, Yoyohata-mati, Tokyo, Japan	1925
NICÉFORO MARÍA, HERMANO, Museo del Instituto de La Salle, Calle 11, No. 1.69, Bogotá, Colombia	1921
OLIVER, DR. WALTER REGINALD BROOK, 26 Ventnor Street, Seatoun, Wellington, E. 5, New Zealand	1923
PHILIPPI B., RODULFO AMANDO, Tobalaba 157, Santiago, Chile (1941)	1952
PONCY, ROBERT, Weber 15, Geneva, Switzerland	1932
RENSCH, DR. BERNHARD, Zoologisches Institut der Westfälischen Landes-Universität, Bade-Str. 9, (21a) Münster (Westf.), Germany	1932
RICHDALE, LANCELOT E[RIC], 23 Skibo St., Kew, Dunedin, S. W. 1., New Zealand (1943)	1947
SALOMONSEN, DR. FINN, Zoologisk Museum, Krystalgade, Copenhagen K, Denmark	1949
SASSI, DR. MORIZ, Naturhist. Museum, Burgring 7, Vienna 1, Austria	1934
SCHAANNING, HANS THOMAS LANGE, Stavanger Museum, Stavanger, Norway . .	1923
SCHOUTEDEN, DR. H., Musée du Congo Belge, Tervuren, Belgium	1934
SCHÜZ, DR. ERNST, Paulinenstrasse 39, (14a) Ludwigsburg, Wuerttemberg, Germany	1938
SERVENTY, DR. D[OMINICK] L., Wildlife Survey Section, C. S. I. R. O., 1 Museum Street, Perth, Western Australia	1949
SETH-SMITH, DAVID W[ILLIAM], 11 Stanford Court, Cornwall Gardens, London, S. W. 7, England	1920
SKOVGAARD, PETER, Viborg, Denmark	1926
STEGMANN, DR. BORIS CHARLES, Zoological Museum, Academy of Science, Leningrad, U. S. S. R.	1932
STONEHAM, LT. COL. HUGH FREDERIC, Stoneham Museum and Research Centre, Kitale, Kenya Colony, British East Africa (1928)	1930
TAKATSUKASA, PRINCE NOBUSUKE, 87 Yoyogisanya, Shibuya-Ku, Tokyo, Japan	1924
TICEHURST, NORMAN FREDERIC, Spots House, Small Hythe, Tenterden, Kent, England	1918
TINBERGEN, DR. NIKO, Department of Zoology, University Museum, Oxford, England	1938
UCHIDA, DR. SEINOSUKE, No. 1, 7-chome, Aoyama, Kitamachi, Tokyo, Japan . .	1919
VAN SOMEREN, DR. VICTOR GURNET LOGAN, Box 658, Nairobi, Kenya Colony, British East Africa	1921
VINCENT, COL. JACK, "Firle," P. O. Box 44, Mooi River, Natal, South Africa	1949
WAGNER, DR. HELMUTH O., Übersee Museum, Bremen, Germany (1945)	1950
WHITE, SAMUEL ALBERT, Wetunga, Fulham, South Australia	1919
YAMASHINA, DR. YOSHIMARO, Yamashina Museum, 49 Nanpeidai-Machi, Shibuya-ku, Tokyo, Japan	1949
FELLOWS, MEMBERS, AND ASSOCIATES	
ABBOTT, JACKSON MILES, 814—13th St., New Alexandria, Virginia	1946
ABBOTT, RUTH STEWART, 166 Senneville Rd., Senneville, Port Quebec, Canada	1951

	ABDULALI, HUMAYUN, Faiz & Co., 75 Abdul Rehman St., Bombay 3, India	1946
	ABRAITYS, VINCENT [VALENT], Sergeantsville, New Jersey	1950
L	ACHILLES, MRS. GERTRUDE S., Morgan Hill, California	1925
	ADAMS, HERBERT GERALD, 730 S. W. St. Clair Ave., Portland 5, Oregon	1943
	ADAMS, I. C. JR., Box 158, Columbia, Missouri	1939
	ADAMS, IVERS S[HEPARD], Hardwick, Massachusetts	1938
	ADAMS, LAURA [LOUISE] C., Andrews, South Carolina	1950
	ADAMS, LOWELL, Forest Experiment Station, Missoula, Montana	1947
	ADAMS, W[ILLIAM] R[ICHARD], Laboratory of Comparative Osteology, 707 Anita St., Bloomington, Indiana	1950
	ADDY, C[HARLES] E[DWARD], 56 Spofford St., Newburyport, Massachusetts	1938
	ADELSON, RICHARD, 34 Wensley Dr., Great Neck, Long Island, New York	1937
	AGGEN, JOHN C., R. R. No. 1, Morrison, Illinois	1947
	ALBRIGHT, LEROY, 1218 Bellefontaine St.—3, Indianapolis 2, Indiana	1953
	ALBRIGHT, RAY, Route No. 1, Box 277, Dayton, Oregon	1952
	ALCORN, ALBERT A., 105 E. Fairview St., Fallon, Nevada	1952
	ALCORN, DR. GORDON D., College of Puget Sound, Tacoma 6, Washington	1952
F	ALDRICH, DR. JOHN WARREN, Fish and Wildlife Service, Department of the Interior, Washington, D. C.	(1929) 1947
	ALEXANDER, DONALD C[HILD], 16 Pleasant St., Nahant, Massachusetts	1936
	ALEXANDER, DR. [EDWARD] GORDON, Department of Biology, University of Colorado, Boulder, Colorado	1919
	ALEXANDER, ROBERT CROZER, 423 Worwick Road, Wynnewood, Pennsylvania	1953
	ALEXANDER R[OBERT] C[AMPBELL], 19207 Charleston Ave., Detroit, Michigan	1942
	ALLAN, ALEXANDER, 9225—96 St., Edmonton, Alberta, Canada	1949
	ALLAN, PHILIP F[ARLEY], 1801 Carleton, Fort Worth, Texas	1931
	ALLARD, H[ARRY] [ARDELL], 3000—7th St., North, Arlington, Virginia	1929
	ALLEE, W[ARDER] C[LYDE], 114 Leigh Hall, University of Florida, Gainesville, Florida	1940
F	ALLEN, DR. ARTHUR A[UGUSTUS], Fernow Hall, Cornell University, Ithaca, New York	(1909) 1922
	ALLEN, FREDERICK W[ILLIAM] JR., c/o The Yankee Traveler, Route 3, Plymouth, Massachusetts	1951
M	ALLEN, DR. ELSA G[UERDRUM], Cornell University, Ithaca, New York	(1935) 1947
	ALLEN, MISS ESTHER C[AMPBELL], Camarillo State Hospital, Camarillo, California	1949
F	ALLEN, FRANCIS HENRY, 9 Francis Ave., Cambridge 38, Massachusetts	(1888) 1947
M	ALLEN, ROBERT PORTER, Tavernier, Florida	(1933) 1944
	ALLEN, MISS SUSAN J[ANNEY], "Sunnybrae," Box 467, Milford, Delaware	1949
	ALLEN, WALTER FOX, 93 Maplewood Ave., Maplewood, New Jersey	1925
	ALLIN, DR. ALBERT E[LLIS], Provincial Health Laboratory, Fort William, Ontario, Canada	1939
	ALLIS, COMMANDER FREDERICK ASHTON, U. S. N., Naval Supply Annex, Stockton, California	1953
	ALLISON, SIDNEY J[OB], 58 Alfreton Rd., Nottingham, England	1950
	ALMON, DR. LOIS, Department of Bacteriology, North Dakota Agricultural College, Fargo, North Dakota	1948

	ALPERIN, IRWIN M., 2845 Ocean Ave., Brooklyn 35, New York	1939
	ALTEMUS, DONALD R[ICHARD], 120 Stewart St., Freeport, Pennsylvania . .	1949
	ALTEMUS, EDWARD L[EE], 210 W. Highland Ave., Philadelphia 18, Penn- sylvania	1952
	ALTMANN, STUART ALLEN, 626½ N. Sweetzer, Los Angeles 48, California . .	1953
F	AMADON, DR. DEAN, American Museum of Natural History, Central Park West at 79th St., New York 24, New York (1930)	1949
	AMES, OAKES I[NGALLS], 7 Meadow Way, Cambridge 38, Massachusetts . .	1950
	AMES, MISS ROSELLA S[PRAGUE], Moraine St., Marshfield, Massachusetts	1940
M	ANDERSON, ANDERS HAROLD, 3221 Kleindale Road, Tucson, Arizona (1939)	1950
	ANDERSON, MRS. ARVID, 3518 Dawes St., Madison 4, Wisconsin	1949
	ANDERSON, EARL A[XEL], 7335 N. Odell Ave., Chicago 31, Illinois	1950
	ANDERSON, FRANK C., Beech and Woodland Ave., Louisville 11, Ken- tucky	1948
	ANDERSON, DR. FRANK G., Department of Sociology, University of Mary- land, College Park, Maryland	1951
	ANDERSON, G[BORGE] ARTHUR, 601 E. Wapello St., Altadena, California .	1949
	ANDERSON, DR. GEORGE EDWIN, 408 Shearer Building, Bay City, Michigan	1939
	ANDERSON, JOHN M., Winous Point Club, Port Clinton, Ohio	1938
M	ANDERSON, RUDOLPH M[ARTIN], 58 Driveway, Ottawa, Ontario, Canada (1907)	1914
	ANDERSON, W. D., 3100 Beverly Rd., Austin 3, Texas	1952
	ANDREWS, ARTHUR ALLEN, 75 Penfield Crescent, Brighton Station, Rochester 10, New York	1924
	ANDREWS, G[BORGE] MALCOLM, Oak Ridge Drive, R. D. No. 3, Schenectady New York	1943
	ANDREWS, DR. JAMES M., 4150 Linnaean Ave., N. W., Washington 8, D. C.	1943
	ANDREWS, MRS. LYDIA G[OEHMANN], Ipswich River Wildlife Sanctuary, Topsfield, Massachusetts	1949
	ANDREWS, SARA BACHE [MRS. CHARLES B.], 20 Main St., Clinton, New Jersey	1947
	ANGELL, LEROY E., Route 3, Box 302, Cloquet, Minnesota	1952
	ANGELO, ANGELO D., 809 Palisade Ave., Union City, New Jersey	1946
	ANGLIN, JAMES P., 957 Dunsmuir Rd., Town of Mount Royal, Quebec, Canada	1943
	ANNAN, ORMSBY, 1059 Chatfield Rd., Winnetka, Illinois	1950
	ANTEVS, MRS. ADA, The Corral, Globe, Arizona	1947
	ANTHES, CLARENCE A[LVIN], 707 N. Moreland Blvd., Waukesha, Wisconsin	1937
	ANTHONY, HOWARD E[DWARD], c/o Heath Company, Benton Harbor, Michigan	1949
	ANTONIAZZI, JOHN F[RANCIS], Bayberry Lane, Westport, Connecticut . . .	1950
	APFELD, ALBERT L., South Green St., Tuckerton, New Jersey	1953
	APPEL, THOMAS G., 63 Sunnyside Ave., Pleasantville, New York	1931
	APPLEBERRY, MRS. EDNA LANIER, 5 Lake Forest Parkway, Wilmington, North Carolina	1947
	APPGATE, WILSON G. HUNT, Rhinebeck, New York	1934
	ARBIB, ROBERT S[IMEON], JR., 231 W. Lena Ave., Freeport, New York . . .	1947
	ARCHBOLD, RICHARD, American Museum of Natural History, 79th St. and Central Park West, New York 24, New York	1930
	ARDAFFLE, MRS. CLARENCE [MARY JANE], R. R. No. 1, Morrison, Illinois .	1949

	AREND, PHILIP H[ANFORD], 10 Parrott St., Vallejo, California	1952
	ARGUE, ARTHUR W., 1040 Boylston St., Boston, Massachusetts	1946
	ARMITAGE, KENNETH B[ARCLAY], Birge Hall, Madison 6, Wisconsin	1952
	ARMITT, H[ERBERT] T[HOMAS], 184 Kinderkamack Rd., Oradell, New Jersey	1950
	ARMSTRONG, JOSEPH THEXTON, JR., 306 South 49th Ave., Omaha 3, Nebraska	1953
	ARMSTRONG, MISS VIRGINIA, Musketaquid Rd., Concord Massachusetts	1937
	ARNETT, DR. JOHN HANCOCK, JR., 6200 Ardleigh St., Germantown, Philadelphia 38, Pennsylvania	1946
L	ARNOLD, EDWARD WILLIAM CAMERON, Cedar Swamp Road, Glen Head, New York	1929
	ARNOLD, ELTING, 4914 Dorset Ave., Chevy Chase 15, Maryland	1934
	ARNOLD, LEE W[EIGHT], P. O. Box 53, Cedarville, California	1949
	ARNY, SAMUEL A[NDREW], Apartment 2, 6515 Willston Drive, Falls Church, Virginia	1952
	ARVEY, DR. M[ARTIN] DALE, Department of Biology, Long Beach State College, Long Beach 4, California	1949
	ASHTON, RANDOLPH, 800 Crown St., Morrisville, Pennsylvania	1938
	ATKESON, THOMAS Z[EPHANIAH], JR., 1217 9th Ave. East, Decatur, Alabama	1951
	ATKINS, DR. ELISHA, 538 Warder Ave., University City 24, Missouri	1946
	ATSATT, DR. SARAH R., 405 Hilgard Ave., Los Angeles 24, California	1947
	ATWOOD, EARL L[ERROY], 7117 Woodland Ave., Takoma Park, Maryland	1948
	AUCHINCLOSS, BAYARD C[UTTING], 1711 Guilford Lane, Oklahoma City, Oklahoma	1949
	AUSTIN, CYRUS, 200 East 66th St., New York 21, New York	1952
	AUSTIN, MRS. ENID K., 1116 Mandana Blvd., Oakland 10, California	1947
	AUSTIN, JOHN BRANDER, 2326 Camp St., New Orleans 13, Louisiana	1947
F	AUSTIN, DR. OLIVER LUTHER, JR., ADTIC, Research Studies Institute, Maxwell Air Force Base, Alabama (1925)	1948
M	AUSTIN, DR. OLIVER LUTHER, SR., Tuckahoe, Westchester County, New York (1930)	1940
	AVERY, MRS. HELEN G[OULD], 160 Wellington St., Springfield, Massachusetts	1948
M	AXTELL, DR. HAROLD H[AMILTON], Buffalo Museum of Science, Buffalo 11, New York (1941)	1951
	AYER, MRS. N[ATHAN] EDWARD, 1300 Hillcrest Drive, Pomona, California	1924
	BABCOCK, CHARLES D., 36th St. and Woodland Ave., Reading, Pennsylvania	1953
	BABCOCK, FRED I[RVING], Land O'Lakes, Wisconsin	1951
	BACON, BRASHER COLLINS, SR., Spring Lake Wildlife Refuge, Madisonville, Kentucky	1948
	BACON, FRANCIS L[LEWELLYN], 22 Waterman Ave., Philadelphia 18, Pennsylvania	1917
	BAER, MYRTLE W., 1237 North Jefferson St., Milwaukee, Wisconsin	1942
M	BAERG, DR. WILLIAM J., College of Agriculture, University of Arkansas, Fayetteville, Arkansas (1924)	1952
LM	BAGG, AARON MOORE, 72 Fairfield Ave., Holyoke, Massachusetts (1946)	1951
F	BAILEY, ALFRED M[ARSHALL], Colorado Museum of Natural History, Denver, Colorado (1918)	1941

- L BAILEY, JOHN WENDELL, 27 Willway Rd., Richmond 21, Virginia 1925
 BAILEY, DR. ROBERT E[LWYN], Division of Anatomy, University of Tennessee, Memphis, Tennessee 1951
- M BAILLIE, JAMES L[ITTLE], JR., Royal Ontario Museum of Zoology, 100 Queen's Park Dr., Toronto, Ontario, Canada (1923) 1935
 BAILY, FISHER C., 1229 Ralston St., Reno, Nevada 1947
 BAIRD, JAMES, 81 Payson Lane, University Heights, New Brunswick, New Jersey 1947
 BAKER, B[ERNARD] W., R. R. No. 1, Judson Rd., Spring Lake, Michigan . . 1938
- M BAKER, JOHN HOPKINSON, 1165—5th Ave., New York 28, New York (1911) 1949
- L BAKER, MISS MILDRED E., 275 Hillcrest Dr., Route 1, Encinitas, California 1947
 BAKER, PAUL S., Box 511, Huntington, Long Island, New York 1944
- M BAKER, DR. ROLLIN HAROLD, Museum of Natural History, University of Kansas, Lawrence, Kansas (1939) 1950
 BAKER, WILLIAM CALVIN, 559 Euclid St., Salem, Ohio 1930
 BALDWIN, MRS. HARRY LEVERETT, 6335 Kimbark Ave., Chicago 37, Illinois 1924
 BALDWIN, MRS. HELEN SHIRAS, 326-C Waiianuenue Ave., Hilo, Hawaii . . 1952
 BALDWIN, DR. PAUL H., Department of Zoology, Colorado A. and M. College, Fort Collins, Colorado 1947
 BALDWIN, DR. WILLIAM GROVE, Box 665, Quincy, Washington 1953
 BALDWIN, WILLIAM P[LEWS], JR., c/o Savannah Natural Wildlife Refuge, Port Wentworth, Georgia 1937
 BALL, MISS A. ELIZABETH, 28 East St., Rutland, Vermont 1947
 BALL, DR. KATHLEEN E., Department of Entomology, Comstock Hall, Cornell University, Ithaca, New York 1946
 BALL, ROBERT E[DWIN], 1226 Woodland Avenue, Northwest, Canton 3, Ohio 1938
 BALL, STANLEY C[RITTENDEN], Peabody Museum of Natural History, New Haven, Connecticut 1942
 BALLANCE, LEON G., Lake Landing, North Carolina 1952
 BALSOM, MRS. AMOS P., 2209 E. Stratford Court, Milwaukee 11, Wisconsin 1947
 BARBER, D[AVID] H[ENRY], The Rectory, Mells, near Frome, Somerset, England 1948
 BARBER, HERB[ERT] K[NEESHAW], 22 North 4th St., Niles, Michigan 1953
 BARBOUR, DR. ROGER W., Department of Zoology, University of Kentucky, Lexington, Kentucky 1937
 BARKALOW, FREDERICK S[CHENCK], JR., Box 5215, State College Station, Raleigh, North Carolina 1938
 BARNARD, ELLSWORTH, 1236 East 46th St., Chicago 15, Illinois 1949
 BARNES, CHARLES K[NAPP], 5006 S. Michigan Rd., South Bend, Indiana . . 1946
- HL BARNES, CLAUDE TEANCUM, 359 Tenth Ave., Salt Lake City, Utah 1908
 BARNES, FRED R[USSELL], 4282 Maple Avenue, Oakland 2, California 1953
 BARNES, MRS. RUTH, 173 Myrtle St., Shelton, Connecticut 1944
 BARNES, WILLIAM B., Indiana Department of Conservation, 311 West Washington St., Indianapolis 9, Indiana 1947
 BARRACLOUGH, MARY EDITH, Mont. Coop. Wildlife Research Unit, Montana State University, Missoula, Montana 1953
 BARRETT, CHARLES H[ORATIO] M[ATCHETT], 1339 Valley Place, S. E., Washington, D. C. 1912

- BARRETT, VERNON, 1300 Cheltenham Way, South Pasadena, California. 1953
- BARRY, EDWIN McCORMICK, Epping Forest, Rural Route No. 1, Annapolis, Maryland. 1942
- BARRY, MISS ELEANOR E[LIZABETH], 91 Hillside Ave., Melrose 76, Massachusetts. 1951
- BARTEL, KARL E[MIL] [EDGAR], 2528 W. Collins St., Blue Island, Illinois. . . 1934
- M BARTHOLOMEW, DR. GEORGE A[DELBERT], JR., Department of Zoology, University of California, Los Angeles 24, California. (1941) 1949
- BARTL, ROBERT LA SALLE, 1309 Gallatin St., N. W., Washington 11, D. C. 1947
- BARTLESON, FRED D., JR., University of Florida, Department of Biology, Gainesville, Florida. 1952
- BARTLETT, CHARLES O[MAR], Box 791, Aylmer, Ontario, Canada. 1953
- BARTLETT, GUY, 1053 Parkwood Blvd., Schenectady 8, New York. 1932
- BARTLETT, DR. L[AWRENCE] M[ATTHEWS], Zoology Department, University of Massachusetts, Amherst, Massachusetts. 1952
- BARTON, ROGER AVERY, 22 Arlington Ave., Caldwell, New Jersey. 1952
- BARTRAM, EDWIN B[UNTING], Bushkill, Pike Co., Pennsylvania. 1913
- M BARTSCH, DR. PAUL, Lebanon, Gunston Hall Rd., Norton, Virginia. (1896) 1902
- BASKETT, DR. THOMAS S[EBREE], Missouri Coop. Wildlife Research Unit, Wildlife Conservation Building, University of Missouri, Columbia, Missouri. 1946
- BASNER, HARRY, Mountaintale, New York. 1927
- BASTIN, ERIC W[ALTER], 43 Inglewood Drive, Apartment 2, Hamilton, Ontario, Canada. 1951
- F BATCHELDER, CHARLES FOSTER, 7 Kirkland St., Cambridge, Mass. Founder
- BATCHELDER, MRS. CHARLES F[OSTER], [LAURA P.], 7 Kirkland St., Cambridge, Massachusetts. 1930
- BATES, CURTIS E., 609 Elm St., Rome, New York. 1946
- BATES, CYRIL D., Box 600, Dauphin, Manitoba, Canada. 1953
- L BATTIS, H[ENRY] LEWIS, JR., 1211 Glenwood Avenue, Kalamazoo, Michigan 1948
- BAUGH, BIRDIE MAY, Birdland Farm, Belona, Virginia. 1947
- BAUGHN, WILLIAM H., 3113 East Lake Shore Dr., Baton Rouge, Louisiana. 1952
- BAUMEL, JULIAN J., Anatomy Department, School of Medicine, Creighton University, Omaha, Nebraska. 1951
- BAUMGARTEN, DR. HENRY E[RNEST], Avery Laboratory, University of Nebraska, Lincoln 8, Nebraska. 1953
- BAUMGARTNER, DR. FREDERICK M[ILTON], Department of Zoology, A. and M. College, Stillwater, Oklahoma. 1930
- M BAUMGARTNER, DR. MARGUERITE HEYDWEILLER, [MRS. FREDERICK M.], R. R. No. 2, Stillwater, Oklahoma. (1930) 1945
- BAXTER, WILLIAM, Middletown, R. R. No. 2, Delaware. 1950
- BAYLESS, MRS. ANNE D[OUGLAS], 8925 Indian Boundary, Gary, Indiana. 1950
- BAYNARD, OSCAR E., P. O. Box 124, Plant City, Florida. 1944
- BAYSINGER, DR. VERLIN G., 310 Barbara Rd., Pekin, Illinois. 1952
- BEACHAM, [EDWARD] DEREK, 238 Wineva Ave., Toronto 8, Ontario, Canada 1948
- BEADEL, HENRY LUDLOW, R. R. 1, Tallahassee, Florida. 1926
- BEALS, EDWARD [WESLEY], Earlham College, Richmond, Indiana. 1950
- BEARD, MRS. T. C. [DOROTHY], R. R. No. 3, Box 152 A, Mound, Minnesota 1946
- BEARDSLEE, CLARK SMITH, 132 McKinley Ave., Kenmore, New York. . . . 1930
- BEASLEY, RAY J[ACKSON], P. O. Box 117, Newport News, Virginia. 1947

	BEATTIE, J[OHN] I[NNES], 24 Chauncy St., Cambridge 38, Massachusetts..	1951
	BECK, HERBERT H[UEBNER], 515 N. President Ave., Lancaster, Penn- sylvania.....	1931
	BECKER, MISS EDNA, 77 Oxford St., Apt. A-10, Hartford 5, Connecticut..	1947
	BEDDALL, EDWARD A., 312 Noroton Ave., Noroton Heights, Connecticut..	1953
L	BEDELL, LAUREL MAY [MRS. HARRY M.], 1620 Massachusetts Ave., N. W., Washington 6, D. C.....	1929
F	BEEBE, DR. [CHARLES] WILLIAM, Zoological Park, New York 60, New York (1897)	1912
M	BEECHER, WILLIAM JOHN, Chicago Natural History Museum, Roosevelt Road and Field Drive, Chicago 5, Illinois..... (1937)	1950
	BEER, JAMES R[OBERT], Division of Entomology and Economic Zoology, University of Minnesota, St. Paul 1, Minnesota.....	1939
F	BEHLE, DR. WILLIAM HARROUN, Department of Biology, University of Utah, Salt Lake City, Utah..... (1934)	1951
	BEIDLEMAN, RICHARD G[OOCH], Zoology Department, Colorado A. and M. College, Fort Collins, Colorado.....	1948
	BELCHER, PAUL E[UGENE], 988 Jefferson Ave., Akron, Ohio.....	1937
	BELDING, JOHN C[LINTON], 63 Washington Ave., Northampton, Massachu- setts.....	1949
L	BELKNAP, JOHN BALCOM, 92 Clinton St., Gouverneur, New York.....	1927
M	BELLROSE, DR. FRANK, JR., 334 E. Adams St., Havana, Illinois..... (1934)	1947
L	BELT, CHARLES B[ANKA], 233 Broadway, New York 7, New York.....	1950
	BELTON, WILLIAM, 9009 Kensington Parkway, Chevy Chase 15, Maryland	1947
	BENCHLEY, MRS. BELLE J[ENNINGS], Box 551, Zoological Society of San Diego, San Diego 12, California.....	1950
	BENCKENSTEIN, MRS. EUNICE R[OBINSON], P. O. Box 720, Orange, Texas..	1949
	BENJAMIN, GILBERT G., JR., Apartment 102, 2107 Hildarose Dr., Silver Spring, Maryland.....	1947
	BENNETT, CHA[RL]E[S] H[ERBERT], 80 Belmont Ave., Ottawa, Ontario, Canada	1948
	BENNETT, HAROLD EBENEZER, 1515 Burton St., Rockford, Illinois.....	1947
	BENNETT, HENRY P[ORTER], National Audubon Society, 13 McAllister Arcade, Miami, Florida.....	1953
	BENNETT, HOLLY R[EED], Hornblower and Weeks, 134 S. LaSalle St., Chicago 3, Illinois.....	1952
	BENNETT, JOSEPH A[LEXANDER], JR., 28 Berkeley Rd., Maplewood, New Jersey.....	1951
M	BENNETT, DR. LOGAN JOHNSON, Fish and Wildlife Service, Department of the Interior, Washington 25, D. C..... (1934)	1946
	BENNETT, WALTER WALDO, Arnolds Park, Iowa.....	1924
	BENSON, DR. SETH B[ERTRAM], 645 Coventry Rd., Berkeley 7, California..	1928
LF	BENT, ARTHUR CLEVELAND, 140 High St., Taunton, Massachusetts. (1909)	1920
	BENT, GEORGE PAYNE, II, Lake Ave., Greenwich, Connecticut.....	1950
	BENTON, ALLEN H[AYDON], New York College for Teachers, Albany, New York.....	1949
M	BERGER, DR. ANDREW J[OHN], Department of Anatomy, East Medical Building, University of Michigan, Ann Arbor, Michigan... (1948)	1952
	BERGMANN, WILLIAM E[DMUND], JR., 6719 Betts Ave., North College Hill 24, Ohio.....	1950
L	BERGSTROM, E[DWARD] ALEXANDER, 37 Old Brook Rd., W. Hartford 7, Connecticut.....	1939

	BERKEY, GLEN L[EROY], 22 S. State St., Rittman, Ohio.	1949
	BERKOWITZ, ALBERT C[LARENCE], 517—58th St., Des Moines 14, Iowa.	1948
	BERRY, SYDNEY G[RISWOLD], 53 Gordonhurst Ave., Upper Montclair, New Jersey.	1951
	BESSON, E[SAIE] JOHN, 1839 Ingleside Terr., N. W., Washington 10, D. C.	1947
	BESTON, HENRY, Chimney Farm, Nobleboro, Maine.	1950
	BIAGGI, DR. VIRGILIO, JR., Biology Department, University of Puerto Rico, College of Agriculture and Mechanic Arts, Mayaguez, Puerto Rico.	1944
L	BIGELOW, MRS. ARCHIBALD PIERCE, 270 Wayne Ave., Oakland, California	1919
HL	BIGELOW, HOMER LANE, The Farm, Windy Row, Peterborough, New Hampshire.	1902
	BIGGS, JOSEPH D[ANIEL], 6624 First St., N. E., Washington 12, D. C.	1949
	BINGHAM, MRS. HARRY P., JR., [LILLA FISK], Cove Road, Oyster Bay, Long Island, New York.	1949
	BINGHAM, MILLICENT TODD, 1661 Crescent Pl., Washington 9, D. C.	1949
	BINNEY, DR. HORACE, 65 Green St., Milton 86, Massachusetts.	1951
	BIRDSALL, CARL A., 190 E. Pearson St., Chicago 11, Illinois.	1953
	BIRDSEYE, CLARENCE, Eastern Point Blvd., Gloucester, Massachusetts.	1948
	BIRKELAND, HENRY, Roland, Iowa.	1933
	BISWAS, BISWAMOY, Zoological Survey of India, Indian Museum, 27 Chowringhee, Calcutta 13, India.	1948
	BLACK, DR. C[HARLES] THEODORE, R. R. No. 1, Box 480, East Lansing, Michigan.	1933
HL	BLACKWELDER, ELIOT, P. O. Box N, Stanford, California.	1895
L	BLAIN, DR. ALEXANDER WILLIAM, 1028 Berkshire Rd., Grosse Pointe Park 30, Michigan.	1902
M	BLAKE, DR. CHARLES HENRY, Lincoln, Massachusetts. (1946)	1950
F	BLAKE, EMMET REID, Chicago Natural History Museum, Roosevelt Rd. and Field Dr., Chicago 5, Illinois. (1933)	1952
	BLAKE, DR. SIDNEY FAY, 3416 North Glebe Rd., Arlington, Virginia.	1923
	BLANCHARD, HAROLD H[OOPER], 32 Calumet Road, Winchester, Massachusetts.	1939
	BLAND, JOHN BROWNELL, 106 Avenue Camilo, Coral Gables 34, Florida.	1948
	BLANKENSHIP, LYTLE H[OUSTON], Department of Fisheries and Wildlife, Michigan State College, East Lansing, Michigan.	1949
L	BLAUVELT, HIRAM B. D., 637 Kinderkamack Rd., Oradell, New Jersey.	1948
L	BLEITZ, DONALD L., 5338 Hollywood Blvd., Hollywood, California.	1947
	BLIESE, JOHN C[ARL] W[ILLIAM], Biology Dept., Nebraska State Teachers College, Kearney, Nebraska.	1951
	BLINCOE, BENEDICT JOSEPH, 8766 N. Main St., Dayton 5, Ohio.	1921
	BLOCK, MELVIN L[EO]N, 435 E. Hudson St., Toledo 8, Ohio.	1950
	BLOSSOM, PHILIP M[OSS], 10969 Rochester Ave., Westwood Hills, Los Angeles 24, California.	1948
	BLOUCH, RALPH I[RVING], 532 LaSalle Blvd., Lansing, Michigan.	1949
	BOCK, WALTER, 7630—85 Drive, Woodhaven 21, New York.	1952
	BODMER, OLIVE A. [MRS. HERBERT A.], Kenmare, North Dakota.	1952
	BOHL, WAYNE HEROLD, P. O. Box 991, Bellingham, Washington.	1953
	BOHN, HERMAN L[OUIS], 33—29 171 St., Flushing 58, New York.	1952
	BOLDTMANN, JOHN KARL, 132 Lincoln St., Hackensack, New Jersey.	1949
	BOND, HENRIETTA I. W. [MRS. FRANK], 3127 Newark St., N. W., Washington 8, D. C.	1940

F	BOND, JAMES, Academy of Natural Sciences, 19th and Race Sts., Philadelphia, Pennsylvania (1923)	1946
M	BOND, RICHARD M[ARSHALL], Virgin Islands Corporation, Christiansted, St. Croix, United States Virgin Islands (1939)	1945
L	BOND, RICHARD R[ANDOLPH], Department of Zoology, University of Wisconsin, Madison 6, Wisconsin	1952
	BONNEY, CHRISTINE A., [MRS. GUY E.], 518 E. Monroe St., c/o Security Federal Savings & Loan Association, Springfield, Illinois	1949
	BOCOCK, PHILIP M. B., 53 Colvin Ave., Buffalo 16, New York	1946
	BOOTH, DR. ERNEST S[HELDON], Department of Biology, Walla Walla College, College Place, Washington	1946
	BOOTH, MRS. ROBERT V. D., 1085 Bank St., Painesville, Ohio	1951
	BORDEN, RICHARD, Great Meadows Road, Concord, Massachusetts	1947
	BORDNER, MISS DOROTHY LOUISE, 926 W. Beaver Ave., State College, Pennsylvania	1953
	BORELL, A[DREY] E[DWIN], Soil Conservation Service, Albuquerque, New Mexico	1927
	BORROR, DR. DONALD J[OYCE], Department of Zoology and Entomology, Ohio State University, Columbus, Ohio	1936
	BORST, GEORGE H., Rittenhouse Claridge, 18th and Walnut Sts., Philadelphia 3, Pennsylvania	1952
	BOSSENMAIER, EUGENE F., 299 Oneida St., St. Paul 2, Minnesota	1952
	BOTSFORD, MISS E. FRANCES, Connecticut College, New London, Connecticut	1947
	BOUCHER, DR. DUNCAN WILSON, 102 Wellington St., Kingston, Ontario, Canada	1953
M	BOULTON, [WOLFRID] RUDYERD, JR., 3234 Reservoir Rd., Northwest, Washington 7, D. C. (1915)	1929
	BOURNE, RAYMOND D[ORY], Box 109, Oxford, Ohio	1946
	BOURNE, WILLIAM N[ETTLETON], JR., 34 Buckingham St., Cambridge 38, Massachusetts	1952
	BOUSLOG, DR. JOHN S[AMUEL], 304 Republic Building, Denver 2, Colorado	1930
L	BOVEY, MARTIN K., Chelmsford, Massachusetts	1942
M	BOWDISH B[EACHER] S[COVILLE], Demarest, New Jersey (1891)	1934
HL	BOWDISH, MRS. B[EACHER] S., [CHRISTABEL EVERETT], Demarest, New Jersey	1902
	BOWEN, RICHARD, 703 Pearse Rd., Swansea, Massachusetts	1947
	BOWEN, ROBERT M[ARVIN], 5009 Leeds Ave., Halethorpe 27, Maryland	1947
	BOWERS, DARL EUGENE, Museum of Vertebrate Zoology, Berkeley 4, California	1953
	BOWERS, GLENN L[EE], 28 Stewart Place, Box 222, Shippensburg, Pennsylvania	1951
L	BOWERS, JIM M., 595 N. 15th St., Salem, Oregon	1953
	BOWMAN, CHARLES EDWARD, JR., 20 W. Orange St., Lititz, Pennsylvania	1947
	BOYD, DR. ELIZABETH M[ARGARET], Zoology Department, Mount Holyoke College, South Hadley, Massachusetts	1948
	BOYD, HUGH J[AMES], The New Grounds, Slimbridge, Gloucester, England	1949
	BOYD, THOMAS HUTCHESON, 64 Edgewood Ave., Clifton, New Jersey	1953
	BOYER, G[EORGE] F[REDERICK], R. R. No. 1, West Sackville, New Brunswick, Canada	1946

M	BRACKBILL, HERVEY [GROFF], 4608 Springdale Ave., Baltimore 7, Maryland (1940)	1949
	BRADBURN, DR. DONALD MUIR, 461 Pine St., New Orleans, Louisiana . . .	1949
	BRADLEY, MISS ANNA PENFIELD, 352 Whitney Ave., New Haven, Connecticut	1933
	BRADLEY, LEONARD J[OSEPH], Horseshoe Rd., Wilton, Connecticut	1946
	BRAINERD, JOHN W., 67 Parkside St., Longmeadow, Massachusetts	1938
	BRAMAN, MYRTLE, 206 W. Stayton Ave., Victoria, Texas	1951
L	BRAND, MRS. ALBERT R[ICH], 50 W. 72nd St., New York 23, New York . . .	1934
LM	BRANDT, HERBERT WILLIAM, 2425 North Park Blvd., Cleveland 6, Ohio (1915)	1947
	BRANSON, W[ILLIAM] D[ONALD], 53 Colborne St., Toronto, Ontario, Canada	1952
	BRAUNBERNS, JAMES E[DWARD], Eighteen Mile Creek Rd., Derby, New York	1949
	BRAUNER, JOSEPH, 11233 Van Buren Ave., Los Angeles 44, California . . .	1933
	BRECHER, LEONARD C[HARLES], 1900 Spring Drive, Louisville 5, Kentucky	1946
F	BRECKENRIDGE, DR. WALTER JOHN, Museum of Natural History, University of Minnesota, Minneapolis, Minnesota (1926)	1950
	BREIDING, GEORGE H[ERBERT], Oglebay Park, Wheeling, West Virginia . .	1944
	BRIGGS, MARJORIE ANN, Department of Biology, University of Florida, Gainesville, Florida	1953
	BRIGGS, S[TEPHEN] F[OSTER], Gordon Dr., Naples, Florida	1951
	BRIGHAM, EDWARD MORRIS, JR., Kingman Museum of Natural History, Battle Creek, Michigan	1942
	BRIGHAM, H[ERBERT] STORRS, JR., R. F. D., Fremont, New Hampshire . .	1946
	BRINCKERHOFF, REMSEN, 156 Sherwood Pl., Englewood, New Jersey . . .	1947
	BRISTOW, MISS ALICE A[NDREWS], Silvermine Rd., Norwalk, Connecticut	1949
	BRISTOW, HARRY S[HERMAN], JR., 210 Washington Ave., Cedars, Wilmington, Delaware	1940
	BRITTAN, MARTIN RALPH, Department of Biology, Sacramento State College, Sacramento, California	1947
	BROADBOOKS, DR. HAROLD E[UGENE], Box 345, Newport, Oregon	1948
	BROCK, JEAN A. M., 9752 Old Warson Rd., St. Louis 17, Missouri	1946
	BROCKE, RAINER H[ANS], Snyder Hall, Michigan State College, East Lansing, Michigan	1952
	BROCKNER, WINSTON WILLIAM, 63 Ardmore Place, Buffalo 13, New York	1952
	BRODEY, ROBERT STANLEY, 323 Rushton Rd., Toronto, Ontario, Canada . .	1952
M	BRODKORB, DR. [WILLIAM] PIERCE, Department of Biology, University of Florida, Gainesville, Florida (1925)	1937
	BRODRICK, HAROLD J[AMES], Petrified Forest, Holbrook, Arizona	1935
	BRODY, DR. GERALD L[EE], 12700 Shaker Blvd., Cleveland, Ohio	1951
M	BROLEY, CHARLES LAVELLE, Delta, Ontario, Canada (1926)	1949
	BROOKFIELD, CHARLES M[ANN], Box 284, Coconut Grove, Miami 33, Florida	1951
	BROOKS, MRS. CHESTER L., Theodore Roosevelt National Park, Medora, North Dakota	1953
F	BROOKS, MAURICE GRAHAM, Division of Forestry, West Virginia University, Morgantown, West Virginia (1930)	1950
M	BROOKS, WINTHROP SPRAGUE, Kings Highway, Orleans, Massachusetts (1907)	1917

	BROOMAN, EDWIN WILLIAM, 590 River St., East, Prince Albert, Saskatchewan, Canada.....	1943
	BROOMAN, R[ONALD] C[HARLES], c/o Bank of Montreal, Kitchener, Ontario, Canada.....	1931
M	BROWN, MAURICE, Hawk Mountain Sanctuary, R. D. No. 2, Kempton, Pennsylvania..... (1922)	1948
	BROWER, DR. AUBURN E[DMOND], 5 Hospital St., Augusta, Maine.....	1951
	BROWN, CLARENCE D[UVAL], 222 Valley Rd., Montclair, New Jersey....	1937
	BROWN, JERRAM L[EFEVRE], 19 Hitchcock Rd., Amherst, Massachusetts..	1949
	BROWN, J[OH]N WARNER, Oatka Farm, Scottsville, New York.....	1951
	BROWN, MORTIMER F[AYETTE], Overlook Rd., Westport, Connecticut....	1951
	BROWN, N[ORMAN] RAE, Faculty of Forestry, University of New Brunswick, Fredericton, New Brunswick.....	1946
	BROWN, WENDELL, 5224 Blake Rd., Minneapolis, Minnesota.....	1949
	BROWN, W. L., 173 Hillhurst Blvd., Toronto, Ontario, Canada.....	1953
	BROWN, WILLIAM E[DMOND], 333 Harmon Ave., Northwest, Warren, Ohio	1949
	BROWN, WILLIAM JAMES, 4129 Dorchester St., West, Westmount, Quebec, Canada.....	1908
	BROWN, WOODWARD H[ART], 4815 Ingersoll Ave., Des Moines 12, Iowa..	1950
	BROWNE, ANDREW C., U. S. S. T. E. Chandler (DD 717), c/o Fleet Post Office, San Francisco, California.....	1952
	BRUESTLE, BERTRAM G[EORGE], Old Lyme, Connecticut.....	1929
	BRUMBAUGH, CHALMERS SHERFEY, 317 St. Dunstan's Rd., Homeland, Baltimore, Maryland.....	1916
	BRUNS, JAMES HENRY, St. Francisville, Louisiana.....	1942
L	BRUTON, J[AMES] D[EWITT], JR., P. O. Box No. 33, Plant City, Florida....	1949
	BRYANT, FREDERICK C[OPELAND], JR., 16 Wood End Lane, Bronxville, New York.....	1947
M	BRYANT, DR. HAROLD CHILD, Grand Canyon, Arizona..... (1913)	1918
	BRYENS, OSCAR MCKINLEY, 231 S. Main St., Three Rivers, Michigan....	1924
	BUCHANAN, CHARLES M[CAY], 104 W. Melrose Ave., Baltimore 10, Maryland.....	1949
	BUCHANAN, FOREST W[ENDALL], Amsterdam, Ohio.....	1944
	BUCHHEISTER, CARL W[ILLIAM], 1239 Madison Ave., New York 28, New York.....	1939
	BUCKALEW, JOHN H[ERBERT], P. O. Box No. 55, Auburn, New York.....	1948
	BUCKLAND, GEORGE [HENRY EDWARD], Route No. 1, Batavia, New York..	1948
	BUCKNELL, DONALD [NEEDHAM], 134 Wonham St., Ingersoll, Ontario, Canada.....	1949
	BULL, JOHN L., JR., 49 Merrall Rd., Far Rockaway, New York.....	1947
	BULLARD, D. BRUCE, 841½—14th Ave. S., St. Cloud, Minnesota.....	1949
	BULLARD, WINSTON M., Guilford, Connecticut.....	1950
	BULLOCK, DILLMAN SAMUEL, Casilla 2D, Angol, Chile.....	1920
	BUNDICK, MISS HARRIET E[LLEN], 1465 Columbia Rd., N. W., Washington 9, D. C.....	1924
	BUNTING, DR. HENRY, Hilldale Rd., Bethany, Connecticut.....	1943
	BUNTING, WALTER KENNETH, 1203 W. Washington Ave., Jackson, Michigan.....	1953
	BURCH, ROSE LENORA [MRS. JOHN Q.], 4206 Halldale Ave., Los Angeles 62, California.....	1947

	BURES, JOSEPH A., 148 N. 3rd St., West Newton, Pennsylvania	1944
	BURK, DR. MYRLE M., R. R. No. 2, Waterloo, Iowa	1953
	BURKHART, MRS. ELIZABETH Z[IMMERMAN], Cedar Crest College, Allentown, Pennsylvania	1949
F	BURLEIGH, THOMAS DEARBORN, School of Forestry, University of Idaho, Moscow, Idaho (1913)	1948
	BURMEISTER, MELVIN W[ILLIAM], 5753 Dakin St., Chicago 34, Illinois	1948
	BURNER, CHARLES C[RAIG], 1410 S. Olive, Pittsburg, Kansas	1946
	BURNER, MISS FLORENCE H., 5350 Reisterstown Rd., Baltimore 15, Maryland	1953
	BURNETT, MISS FRANCES L., Proctor St., Manchester, Massachusetts	1946
	BURNS, ROBERT D[AVID], 1805 Greenleaf Drive, Royal Oak, Michigan	1952
	BURNS, ROBERT K[YLE], Carnegie Laboratory of Embryology, Wolfe and Madison Sts., Baltimore 5, Maryland	1947
	BURR, DR. IRVING W[INGATE], 265 Littleton St., West Lafayette, Indiana	1939
	BURTON, E[DWARD] MILBY, The Charleston Museum, Charleston, South Carolina	1929
	BURT, HAROLD E., Department of Psychology, Ohio State University, Columbus 10, Ohio	1952
	BUSHNELL, MRS. ROBERT G[RAY], 31 Outlook Drive, Noroton, Connecticut	1953
	BUSS, IRVEN O[TO], 1101 Third St., Menomonie, Wisconsin	1939
	BUTCHART, G. REEVES, Museum of Zoology, University of Michigan, Ann Arbor, Michigan	1950
	BUTLER, MRS. CHRISTELLA CAMPBELL, 3 Parkland Ave., Parkland, Pennsylvania	1946
	BUTWICK, ALBERT N[ORMAN], Freulton, Ontario, Canada	1951
	BUXTON, MRS. JULIAN T., 26 Frank Clarke St., "Cricket Hill," Sumter, South Carolina	1953
	BUXTON, ROBERT B[URNS], Box 427, Damariscotta, Maine	1949
	BYRD, MITCHELL A[GEE], Virginia Cooperative Wildlife Research Unit, Blacksburg, Virginia	1950
	BYRON, RICHARD, Blakeley Corners Rd., East Aurora, New York	1949
	CADBURY, JOSEPH M[OORE], Johnson Court No. 1, 16 E. Johnson St., Germantown, Philadelphia, Pennsylvania	1940
	CADE, TOM[MY JOE], 526 Gayley, Los Angeles 24, California	1950
	CADWALADER, JOHN, JR., Ambler, Pennsylvania	1940
	CADY, DR. WALTER G[UYTON], 3350 Calvert Rd., Pasadena 8, California	1950
M	CAHALANE, VICTOR H[ARRISON], Biology Branch, National Park Service, U. S. Department of the Interior, Washington 25, D. C. (1934)	1946
	CAIN, MRS. JAMES R., 108 Park Ave. East, Savannah, Georgia	1947
	CAIRNS, JOHN MACKAY, c/o Mrs. J. Bradley, Mount Kemble Lake, Morristown, Nova Scotia	1926
	CALDWELL, DOROTHY W., 80 Rockland St., Natick, Massachusetts	1939
	CALHOUN, MISS EMMA MAY, 50 Commonwealth Ave., Boston 16, Massachusetts	1921
	CALLAHAN, PHILIP SERNA, Box 2003, University of Arkansas, Fayetteville, Arkansas	1953
	CALVERT, EARL WELLINGTON, R. R. No. 2, County Home, Lindsay, Ontario, Canada	1936

	CALVIN, ROBERT L[EAL], R. R. No. 3, Fairhill Drive, New Castle, Pennsylvania	1950
	CALVO, MANUEL J., 4101 Dresden St., Kensington, Maryland	1948
	CAMP, MRS. PERCY, 1 Pine St., Cranmoor Manor, Toms River, New Jersey	1953
	CAMPBELL, ALBERT LEWIS, 2028 S. 3rd Ave., Maywood, Illinois	1947
	CAMPBELL, MRS. ELIZABETH C[ROZER], 821 N. Sawtelle Avenue, Tucson, Arizona	1947
	CAMPBELL, J[OH]N D[AVID], 1222 W. State St., Geneva, Illinois	1944
	CAMPBELL, JOHN M[ARTIN], R. R. No. 1, Selah, Washington	1951
M	CAMPBELL, LOUIS W[ALTER], 4531 Walker Ave., Toledo 12, Ohio . . . (1929)	1939
	CAMPBELL, WILLIAM I[RA], 9 Barnesdale Ave. S., Hamilton, Ontario, Canada	1948
	CAMRAS, DR. SIDNEY, U. S. Army Hospital, 3444 ASU, Camp Stewart, Georgia	1937
	CANNON, JERAULD C[ARLYLE], 2015 N. Madelyn, Tucson, Arizona	1952
	CANT, GILBERT, 316 Beach Ave., Mamaroneck, New York	1946
	CANTOR, IRVING, 206 W. 104 St., New York 25, New York	1952
	CAPLAN, DANIEL RONALD, 545 Elizabeth St., New Milford, New Jersey . .	1953
	CARDIFF, BRUCE E[DWIN], R. F. D. No. 1, Box 304-5, Rialto 2, California .	1952
	CARDIFF, EUGENE E[LVIN], R. F. D. No. 1, Rialto 2, California	1949
	CARL, GEORGE CLIFFORD, Provincial Museum, Victoria, British Columbia, Canada	1941
	CARL, HARRY G., 2304 Davie St., Davenport, Iowa	1949
	CARLISLE, G[EO]RGE LISTER, Norfolk, Connecticut	1920
L	CARNES, MRS. HERBERT E., 25 Kenwood Rd., Tenafly, New Jersey	1944
	CARPENTER, DR. CHARLES C., Department of Zoological Sciences, University of Oklahoma, Norman, Oklahoma	1952
	CARPENTER, MAX M[AYNARD], Route No. 1, Dayton, Virginia	1948
	CARRICK, WILLIAM HENESEY, 307 Laird Dr. N., Toronto 17, Ontario, Canada	1952
M	CARRIKER, M[ELBOURNE] A[RMSTRONG], JR., Apartado Nac. No. 82, Popayan, Colombia, South America (1912)	1933
	CARROLL, ROBERT P., Department of Biology, Virginia Military Institute, Lexington, Virginia	1938
	CARSON, HAMPTON L[AWRENCE], JR., Route No. 2, Creve Coeur, Missouri	1935
	CARSON, L[ENWOOD] B[ALLARD], 1306 Lincoln St., Topeka, Kansas	1948
	CARTER, CHARLES E[DWARD], 1339 30th St., Orlando, Florida	1951
	CARTER, T[HO]MAS DONALD, American Museum of Natural History, 79th St. and Central Park West, New York 24, New York	1921
M	CARTWRIGHT, B[ERTRAM] W[ILLIAM], Ducks Unlimited, 201 Canada Bank of Commerce, Winnipeg, Manitoba, Canada (1924)	1952
	CARTWRIGHT, WILLIAM J[AMES], Williamstown, Massachusetts	1920
	CASE, RALPH E., 3 E. Trail, Darien, Connecticut	1949
	CASEY, MRS. CLAUDE L., 491 Ockley Dr., Shreveport, Louisiana	1952
	CASSEL, J[OSEPH] FRANK[LIN], Zoology Department, North Dakota Agricultural College, Fargo, North Dakota	1935
	CASTLE, DR. GERALD H[ARVEY], 1404 Union Central Bldg., Cincinnati 2, Ohio	1950
	CASTLE, PETER WATSON, 42 Walker St., Cambridge 38, Massachusetts . .	1953

	CASWELL, EDWIN B., Idaho Coop. Wildlife Res. Unit, University of Idaho, Moscow, Idaho	1952
	CASWELL, HERBERT H[ALL], JR., Zoology Department, Cornell University, Ithaca, New York	1952
	CAWTHON, WALTER C[LAYTON], JR., 2nd. Plt. "A" Co., 1st. Trng. Bn., 23rd S.B.C., M.C.S., Quantico, Virginia	1952
	CAYOUCETTE, RAYMOND, Quebec Zoological Garden, Charlesbourg, Canada	1936
	CHADWICK, HAROLD K[ING], 176 Ketcham Ave., Amityville, New York..	1949
L	CHALIF, EDWARD LOUIS, Barnsdale Rd., Short Hills, New Jersey	1935
	CHALLEY, JOHN R[AYMOND], 1349 Second St. N., Fargo, North Dakota..	1948
	CHAMBERLAIN, CARLYLE D[EHAVEN], 2112 Eastview Ave., Louisville 5, Kentucky	1952
M	CHAMBERLAIN, EDWARD BURNHAM, c/o B. R. Chamberlain, 604 Johnston Bldg., Charlotte, North Carolina (1923)	1949
	CHAMBERLAIN, FLORENCE CAREY [Mrs. JOSEPH], 4255 Lowell Drive, Des Moines 12, Iowa	1953
	CHAMBERLAIN, NORMAN A[LLISON], "Crittter Hill," Route No. 1, Matthews, North Carolina	1950
	CHAMBERLAIN, SAMUEL RENICK, Refugio, Texas	1952
	CHAMBERS, KENNETH A[RTHUR], 10 Armstrong Avenue, Yonkers, New York	1953
LM	CHAMBERS, W[ILLIE] LEE, Robinson Rd., Topanga, California (1907)	1923
	CHANDLER, EMERSON H[ILTZ], 285 Webster St., Auburndale 66, Massachusetts	1951
F	CHAPIN, DR. JAMES P[AUL], c/o IRSAC, Boîte Postale 217, Bukavu, Kivu, Belgian Congo (1906)	1921
	CHAPIN, DR. JOHN L[ADNER], Physiology Department, University of Colorado Medical School, Denver, Colorado	1950
	CHAPIN, RUTH TRIMBLE, [Mrs. JAMES PAUL], c/o IRSAC, B. P. 217, Bukavu, Kivu, Belgian Congo	1932
	CHAPMAN, DR. FLOYD BARTON, 392 Walhalla Rd., Columbus 2, Ohio	1936
	CHAPMAN, HERMAN FLORAINE, 712 S. Dakota Ave., Sioux Falls, South Dakota	1947
	CHAPMAN, LAWRENCE B[OYLSTON], R. F. D., Hubbardston, Massachusetts	1930
	CHASE, HENRY B[RIGHT], JR., 517 Decatur St., New Orleans 16, Louisiana	1948
	CHASE, WARREN JAMES, Alexandria, Nebraska	1952
	CHEEK, JOHN A[DAMSEN], JR., 226 N. Fourth St., Danville, Kentucky	1952
	CHELL, THOMAS ROSS, 428 W. Virginia, Peoria 5, Illinois	1952
	CHESHIRE, W[ILLIAM] F[RANCIS], 4 Waverly Rd., Pointe Claire, Quebec, Canada	1950
	CHEW, DR. ROBERT M., Dept. of Zoology, University of So. California, 3518 University Ave., Los Angeles, California	1953
	CHILDS, HENRY E[VERETT], JR., San Joaquin Experimental Range, O'Neals, California	1948
	CHOATE, DR. ERNEST A., 411 Rodman Avenue, Jenkintown, Pennsylvania	1943
	CHRISTIAN, JOHN J[ERMYN], Naval Medical Research Institute, Bethesda 14, Maryland	1948
	CHUPP, NORMAN R[ICHARD], 506 W. 6 St., Fremont, Nebraska	1952
L	CHURCH, MISS CYNTHIA, The Point, Great Neck, Long Island, New York	1926
	CHURCH, RONALD L., 122 Eleventh St., Pacific Grove, California	1953

	CHUTE, RICHARD S[EARS], 78 Upland Rd., Brookline 46, Massachusetts..	1950
	CLANCEY, PHILLIP ALEXANDER, Natal Museum, Pietermaritzburg, Natal, South Africa	1951
	CLANCY, MISS HORTENSE M., 80 Kingston St., Rochester 9, New York..	1953
	CLAPP, RICHARD L[OWELL], Box 359, College of Medical Evangelists, Loma Linda, California	1953
HL	CLARK, AUSTIN HOBART, 1818 Wyoming Ave., N. W., Washington, D. C.	1899
	CLARK, FANNY DWIGHT, [MRS. GRENVILLE], Dublin, New Hampshire....	1940
	CLARK, GEORGE R[OBERTS], W. Valley Green Rd., Flourtown, Pennsylv- vania	1926
	CLARK, GREGORY, 119 Crescent Rd., Toronto, Ontario, Canada	1951
	CLARK, HAROLD WILLARD, Department of Biology, Pacific Union College, Angwin, California	1946
	CLARK, MRS. THOMAS SANDERS [JOSEPHINE A.], Box 382, Tryon, North Carolina	1952
	CLARK, DR. THOMAS W., 400 E. Willow Grove Ave., Chestnut Hill, Phila- delphia 18, Pennsylvania	1946
	CLARKE, CHARLES E[VERETT], 76 Ashland St., Medford 55, Massachusetts	1907
M	CLARKE, C[HARLES] H[ENRY] D[OUGLAS], c/o Royal Ontario Museum of Zoology, 100 Queen's Park, Toronto, Ontario, Canada	(1931) 1947
	CLARKE, WILLIAM S., JR., Box 167, State College, Pennsylvania	1947
I	CLARKSON, ELIZABETH BARNHILL, [MRS. EDWIN O.], Wing Haven, 248 Ridgewood Ave., Charlotte, North Carolina	1943
	CLARKSON, JAMES E., 1400 North Madison Ave., Peoria 3, Illinois	1953
	CLATTENBURG, ALBERT E[DWIN], JR., American Consulate General, Montreal, Quebec, Canada	1929
	CLAUSEN, DR. ROBERT T., Department of Botany, Cornell University, Ithaca, New York	1928
	CLAY, C. I., Box 353, Eureka, California	1950
I	CLEAVES, HOWARD H[ENDERSON], 8 Maretzek Ct., Staten Island 9, New York	1907
	CLEGHORN, JAMES DONALD, Zoology Division, Redpath Museum, McGill University, Montreal 2, Quebec, Canada	1937
	CLEM, ROBERT RERITY, 129 Gillies Rd., Hamden 14, Connecticut	1953
	CLEMENT, ROLAND C[HARLES], P. O. Box 31, Providence 1, Rhode Island ..	1935
I	CLEMENTS, H[IRAM] EVEREST, 49 Stoneham Rd., Rochester 10, New York	1949
	CLOTFELTER, J[AMES] W[AYMAN], 121 Duncan Ave., Paris, Kentucky....	1948
	CLOUGH, GARI C[ONDE], S. Plank Rd., R. D. No. 3, Newburgh, New York	1948
	CLOW, MISS MARION [FRANCES], P. O. Box 163, Lake Forest, Illinois....	1929
	COBB, BOUGHTON, 180 Madison Ave., New York, New York	1948
	COBB, DR. STANLEY, 34 Fernald Dr., Cambridge 38, Massachusetts	1909
	COBLE, MISS MARY FERGUSON, 1357 N. Stanley, Hollywood 46, California .	1953
M	COFFEY, BEN BARRY, JR., 672 N. Belvedere, Memphis, Tennessee.. (1929)	1950
	COFFIN, MRS. FRANCIS HOPKINSON, 1512 Jefferson Ave., Scranton, Penn- sylvania	1921
	COGGINS, HERBERT LEONARD, 2764 Filbert St., San Francisco, California	1898
M	COGSWELL, HOWARD L[YMAN], Department of Zoology, Mills College, Oakland 13, California	(1943) 1952
	COLBERT, WILLIAM R., 33 Dahllir Lane, Baltimore 20, Maryland	1953
	COLE, [MARGARET] EVELYN, Box 433, Greensboro College, Greensboro, North Carolina	1950

	COLE, RICHARD D[ANIEL], 615 Lake Dr., Towson 4, Maryland.....	1951
	COLLIAS, DR. NICHOLAS E[LIAS], Route 2, Ithaca, New York.....	1950
	COLLIER, GERALD, 3634 N. Muscatel Ave., Rosemead, California.....	1953
	COLLINS, MRS. D[ANIEL] S., [KATHRYN W.], 603 Thomas Ave., Jonesboro, Arkansas.....	1950
L	COLLINS, HENRY HILL, JR., 136 Parkview Avenue, Bronxville 8, New York	1923
	COLLINS, PERCY L., 18 Vanderbilt Avenue, Milltown, New Jersey.....	1949
	COLLISTER, ALLEGRA EDITH, [MRS. CARL]. R. R. No. 3, Box 95, Hover Rd., Longmont, Colorado.....	1949
	COLWELL, FREDERICK A[NDREW], R. F. D. No. 2, Collegetown, Pennsyl- vania.....	1949
	COMAN, DR. DALE REX, 4625 Osage Ave., Philadelphia 43, Pennsylvania	1942
	COMBY, JULIUS HUGH, 10044 E. Kratt Lane, Whittier, California.....	1943
	COMFORT, JAMES F[RANK], 27 N. Iola Dr., Webster Groves 19, Missouri..	1951
	COMPTON, MISS DOROTHY M[AY], 22 Wilton St., Princeton, New Jersey..	1931
	COMPTON, DR. LAWRENCE V[ERLYN], Biology Division, Soil Conservation Service, Washington 25, D. C.....	1926
	CONE, EDWARD T[ONER], Princeton, New Jersey.....	1933
	CONGDON, DR. RUSSELL T[HOMPSON], 122 S. Cleveland, Wenatchee, Washington.....	1947
	CONKEY, JOHN HOUGHTON, 11 Chestnut St., Ware, Massachusetts.....	1929
	CONN, ROBERT C., 755 Ross Lane, Bound Brook, New Jersey.....	1945
	CONNOR, ROBERT J[OSEPH], 429 Beatrice St., Teaneck, New Jersey.....	1952
	CONWAY, ALBERT E[DWARD], Department of Psychology, Lafayette College, Easton, Pennsylvania.....	1938
	CONWAY, WILLIAM G[AYLORD], St. Louis Zoological Gardens, Forest Park, St. Louis 10, Missouri.....	1951
	COOCH, F[REDERICK] GRAHAM, 685 Echo Dr., Ottawa, Ontario, Canada....	1952
	COOK, FANNYE A[DDINE], 1119 Pinehurst St., Jackson, Mississippi.....	1924
	COOK, ROBERT E[DWIN], Main St., Elverson, Pennsylvania.....	1950
	COOK, [WILLIAM] BOLTON, 20 Irenhyl Ave., Port Chester, New York....	1929
LM	COOKE, MISS MAY THACHER, Apt. 401, 1400 Fairmont St. N. W., Wash- ington, D. C.....	(1915) 1926
L	COOLEY, MISS ROBIN, Rensselaerville, Albany County, New York.....	1952
	COOLIDGE, HERMAN W., Isle of Hope, R. F. D., Savannah, Georgia.....	1952
	COOLIDGE, PHILIP T[RIPP], Box 102, Bangor, Maine.....	1919
L	COOMBS, ROBERT A[RMITAGE] H[AMILTON], British Museum (Natural History), Tring, Hertfordshire.....	1935
	COOMBS, MRS. ROBERT D., 375 Paramus Rd., Paramus, New Jersey.....	1953
HL	COPE, FRANCIS R[EEVE], JR., Dimock Post Office, Pennsylvania.....	1892
	COPE, JAMES B[ONWILL], Earlham College, Richmond, Indiana.....	1948
HL	COPELAND, MANTON, 88 Federal St., Brunswick, Maine.....	1900
	CORBETT, KENNETH BLAIR, 704 N. Pine St., Lancaster, Pennsylvania....	1947
	COREY, EBEN F[OX], Barrett's Mill Road, Concord, Massachusetts.....	1949
	CORK, H[ENRY], 73 Queenswood Rd., Forest Hill, London, Southeast, 23, England.....	1948
	CORMIER, FRANCIS, 27 N. Central Ave., Hartsdale, New York.....	1952
	CORSGREEN, ROLF V[ICTOR], 385 Tryon Ave., Englewood, New Jersey...	1950
F	COTTAM, DR. CLARENCE, Fish and Wildlife Service, Washington 25, D. C.	(1928) 1942

	COTTRELL, G[EOERGE] W[ILLIAM], JR., 70 Lakeview Ave., Cambridge 38, Massachusetts.....	1938
	COTTRILLE, DR. W[ILLIAM] POWELL, 6075 Brown's Lake Rd., Jackson, Michigan.....	1951
	COTTRILLE, MRS. W. POWELL, 6075 Brown's Lake Rd., Jackson, Michigan	1953
	COURSEN, C[HARLES] BLAIR, 761 E. 69th Pl., Chicago, Illinois.....	1928
	COVERT, JAMES L[EE], 256 Ridgeway Corner, Louisville 7, Kentucky....	1949
M	COWAN, IAN MCT[AGGART], Department of Zoology, University of British Columbia, Vancouver, British Columbia, Canada..... (1939)	1941
	COWAN, JOHN B[ETTS], Gray Lodge Refuge, Gridley, California.....	1951
	COWELL, FRED N[ORMAN], 216 Tamarack St., Timmins, Ontario, Canada.	1952
	COX, SAM M[ADISON], 127 N. 10th Ave., East, Duluth 5, Minnesota.....	1947
	COY, ROY E[ARL], St. Joseph Museum, 11th and Charles, St. Joseph 13, Missouri.....	1951
	CRAFT, MRS. F. H., Route 1, Box 123, Guilford College, North Carolina..	1952
	CRAGG, HOYT J., 4451 Tupelo St., Baton Rouge, Louisiana.....	1947
	CRANDALL, JOHN DEW[ITT], Rural Delivery 1, Cohoes, New York.....	1952
F	CRANDALL, LEE SAUNDERS, New York Zoological Park, 185th St. and Southern Bvd., New York, New York..... (1909)	1951
L	CRANE, CORNELIUS, 836 S. Michigan Ave., Chicago, Illinois.....	1930
	CRAWFORD, ALAN, JR., White Horse Rd., Devon, Pennsylvania.....	1949
	CRAWFORD, MARY NEWELL, White Horse Rd., Devon, Pennsylvania....	1946
	CREAGER, JOE C[LYDE], Drawer 1267-L. A. Cann Dr., Ponca City, Oklahoma.....	1948
	CREWS, FRANCES ROWE, Museum of Zoology, Louisiana State University, Baton Rouge 3, Louisiana.....	1953
	CRINGAN, A. T., Box 565, Sioux Lookout, Ontario, Canada.....	1948
	CROMPTON, DAVIS H[ASTINGS], 74 William St., Worcester, Massachusetts	1934
	CROOK, COMPTON, 107 Greenridge Ct., Warren Rd., Phoenix, Maryland..	1933
	CROSSMAN, DR. GEORGE WILLIAM, 1201 Walnut St., Grand Forks, North Dakota.....	1953
	CROUCH, JAMES E[NSIGN], San Diego State College, San Diego 5, California	1928
	CROWDER, ORVILLE W., Chase, Maryland.....	1947
	CROWELL, PRINCE S[EARS] JR., Department of Zoology, Indiana University, Bloomington, Indiana.....	1946
	CROWELL, MRS. PRINCE S[EARS], 4 Maple St., Franklin, Massachusetts..	1930
L	CROWNINSHIELD, MRS. FRANCIS, Peach Point, Marblehead, Massachusetts	1941
M	CRUICKSHANK, ALLAN D[UDLEY], Rockledge, Florida..... (1933)	1945
	CRUMPACKER, MRS. D. P., Rural Route No. 3, Milan, Missouri.....	1952
	CRUNKLETON, TOLLIVER, Box 494, Highlands, North Carolina.....	1953
	CRUTTENDEN, JOHN R., Blackstone Building, Quincy, Illinois.....	1940
	CRYMES, FRANK HODGES, 503 Beloit Ave., Berkeley 8, California.....	1940
	CULBERTSON, A. E., 529 Ashlan Avenue, Fresno 4, California.....	1952
	CUMMING, FAIRMAN P., Box 330, Nashville 1, Tennessee.....	1952
	CUMMING, JOHN ALLARDES, 84 Grosvenor Ave. S., Hamilton, Ontario, Canada.....	1953
	CUMMINGS, G[EOERGE] CLARK, Room 1018, 61 Broadway, New York 6, New York.....	1951
	CUNNINGHAM, JAMES W., 3009 E. 19th St. Terrace, Kansas City, Missouri	1937
	CUNNINGHAM, JOHN D., 1311—5th St., Santa Monica, California.....	1953

- CUNNINGHAM, RICHARD L[YNNE], 216 Oliver Lee Dr., Belleville, Illinois . . . 1952
 CURL, DR. A[LFRED] LAURENCE, 751 Balra Dr., El Cerrito 8, California . . 1950
 CURRY, HASKELL B[ROOKS], Department of Mathematics, The Pennsylvania State College, State College, Pennsylvania 1943
 L CURTIN, DAVID Y., 115 W. Montclair, Urbana, Illinois 1953
 CURTIS, RICHARD C[ARY], 30 State St., Boston, Massachusetts 1935
 CURTIS, MRS. VEE KAELIN, 1450 Bancroft Way, Berkeley 2, California . . 1947
 CUTHBERT, NICHOLAS L[E HURAY], Central Michigan College, Mount Pleasant, Michigan 1951
 CUTLER, MRS. EDITH M[AE], Possum Hill, Green Village, New Jersey . . . 1951
 CUTRESS, CHARLES E., 5620 Southeast Aldercrest Rd., Milwaukie, Oregon 1946
 CUZA, JOSEPH A., 4237 Regent St., Philadelphia 4, Pennsylvania 1953
 DALLAS, DONALD E[DWARD], JR., 14108 Strathmore Ave., East Cleveland 12, Ohio 1953
 DAMBACH, CHARLES A[RTHUR], 7085 Linworth Rd., R. F. D. No. 2, Worthington, Ohio 1938
 DANA, EDWARD F[OX], 57 Exchange St., Portland, Maine 1941
 DANIELS, GEORGE GOETZ, 88 Woodland Rd., Short Hills, New Jersey . . . 1947
 DARBY, R[OLLO] E[VERETT], 2103 Walnut, Carmichael, California 1950
 DARBY, RICHARD T[HORN], 5046 Chancellor St., Philadelphia 39, Pennsylvania 1936
 DATER, MRS. JOHN Y., JR., [ELEANOR E.], 259 Grove St., Ramsey, New Jersey 1949
 DAVENPORT, MRS. ALLEN G[RAHAM], [MABELLE GRIFFITH], 39 Walcott Ave., Jamestown, Rhode Island 1951
 DAVEY, STUART P., Box 538, Lexington, Virginia 1952
 DAVEY, DR. WINTHROP N., University Hospital, Ann Arbor, Michigan . . 1946
 DAVIDS, JEAN LINEA [MRS. C. HARVEY], 726 Eleventh St., Wilmette, Illinois 1951
 DAVIDSON, [MISS] SARAH A., 344 Summit Ave., St. Paul 2, Minnesota . . . 1952
 DAVIDSON, WILLIAM M[ARK], 1504 Bodell St., Orlando, Florida 1927
 DAVIE, PAUL MARTIN, 148 Scott Avenue, Wellsville, New York 1953
 DAVIS, BERTHA E[UNICE], 44 Centre St., Brookline, Massachusetts 1920
 DAVIS, CLIFFORD V[ERNON], 730 S. Tracy St., Bozeman, Montana 1948
 M DAVIS, DR. DAVID E[DWARD], School of Hygiene and Public Health, Johns Hopkins University, Baltimore, Maryland (1935) 1941
 DAVIS, EARLE A., JR., Buena Vista College, Storm Lake, Iowa 1946
 DAVIS, DR. EDWIN G[RIFFITH], 4633—28th Rd. S., Arlington, Virginia . . . 1940
 DAVIS, GERTRUDE L. [MRS. JAMES M.], 203 Collingsworth Dr., Rochester 10, New York 1949
 DAVIS, HOWARD HENRY, Little Stoke, Patchway, nr. Bristol, England . . . 1946
 DAVIS, DR. JOHN, Hastings Reservation, Carmel Valley, California 1939
 DAVIS, L[OUIE] IRBY, Box 988, Harlingen, Texas 1935
 DAVIS, MALCOLM, 904—11th St., S. E., Washington, D. C. 1938
 DAVIS, PAUL A[NTHONY], 829 Grant St., Gary, Indiana 1953
 DAVIS, PLATT [ADAMS], 1947 Marion St., Albany, Oregon 1951
 DAVIS, SAMUEL BANCROFT, 24 James St., Yarmouth C., Nova Scotia . . . 1953
 M DAVIS, DR. WILLIAM B., Department of Wildlife Management, A. and M. College of Texas, College Station, Texas (1938) 1949
 DAVIS, WILLIAM E[DWIN], Old Acres, R. F. D., Bedford, Massachusetts . . 1949

	DAVIS, WILLIAM FRANKLIN, 423 W. 46th St., Ashtabula, Ohio.....	1947
	DAVISSON, A[RTHUR] PAUL, 1112 Fleming Ave., Fairmont, West Virginia..	1949
	DAWE, ARNOLD L[EWIS], R. R. No. 2, Weston, Ontario, Canada.....	1948
	DAWN, WALTER H[ENRY], 53-55-64th St., Ridgwood Plateau, Maspeth 78, Long Island, New York.....	1947
	DAWSON, RICHARD G[LEN], Room 314, Davis Hall, Carleton College, Northfield, Minnesota.....	1949
	DAWSON, DR. WILLIAM RYAN, Department of Zoology, University of Mich- igan, Ann Arbor, Michigan.....	1947
	DAY, MRS. KATHARINE C[LARE], Grouse Hollow, R. R. No. 3, Box 474, Eugene, Oregon.....	1940
	DEAN, A. LAWRENCE, Department of Poultry Husbandry, Virginia Poly- technic Institute, Blacksburg, Virginia.....	1939
	DEAN, MRS. BLANCHE E., 1503 Ridge Rd—Homewood, Birmingham 9, Alabama.....	1949
	DEAN, WILLIAM B., 282 Lake St., Seekonk, Massachusetts.....	1946
L	DEANE, MRS. RUTHVEN, 830 Hibbard Rd., Winnetka, Illinois.....	1935
	DEAR, L[IONEL] S[EXTUS], P. O. Box 146, Port Arthur, Ontario, Canada..	1928
	DEARBORN, JOHN H., 382 Commonwealth Ave., Boston 15, Massachusetts	1952
	DEBES, V[ICTOR] A[LBERT], 1211 Folsom Ave., Prospect Park, Pennsylvania	1929
	DECAMPS, ERNEST JULES, Box 316, Beaufort, South Carolina.....	1946
	DECHEN, MRS. LILLIAN O[RVETTA], 14 Summer St., Port Dickinson, Bing- hamton 6, New York.....	1949
	DECKER, ANTON M[ICHAEL], Box 402, Middlebury, Vermont.....	1949
	DECOU, RICHARD W[ILLIAM], Crosswicks, New Jersey.....	1949
	DE DOBBELEER, MARCEL, R. R. No. 2, Granton, Ontario, Canada.....	1953
	DEFLON, DR. ERIC G., 242 Pine, Chadron, Nebraska.....	1950
	DEGROOT, DR. DUDLEY S[ARGENT], 2808 General Chennault, Albuquerque, New Mexico.....	1947
F	DEIGNAN, HERBERT G[IRTON], Division of Birds, U. S. National Museum, Washington 25, D. C..... (1923)	1946
F	DELACOUR, JEAN, Los Angeles County Museum, Exposition Park, Los Angeles 7, California..... (1920)	1946
	DE LA VEGA, MARIO, JR., c/o Sucs. de Alonso y Cia, S. A., Apartado No. 337, Havana, Cuba.....	1949
	DEL CAMPO, RAFAEL [SANCHEZ] MARTIN, Instituto de Biologia, Casa del Lago, Chapultepec, Mexico D. F., Mexico.....	1948
	DELIME, JOHN L., St. Marks National Wildlife Refuge, St. Marks, Florida	1952
	DEL TORO, MIGUEL ALVAREZ, Apartado Postal Number 6, Tuxtla Gutierrez, Chiapas, Mexico.....	1947
	DELURY, DR. RALPH E[MERSON], 330 Fairmont Ave., Ottawa, Ontario, Canada.....	1920
	DEMPSTER, A. NORMAN, 121 Roosevelt Blvd., Fords, New Jersey.....	1953
	DENHAM, REGINALD, 100 Central Park South, New York, New York....	1947
	DENKER, CHARLES REED, c/o DuPont, S. A. Apartado 1799, Mexico D. F., Mexico.....	1944
	DENMAN, CLAYTON C., 1751 Naomi Place, Seattle 5, Washington.....	1947
	DENMEAD, TALBOTT, 2830 St. Paul St., Baltimore 18, Maryland.....	1923
	DENNEY, DR. JOHN DEWITT, 30 S. 2nd St., Columbia, Pennsylvania....	1951
	DENNIS, JOHN V[ALUE], Wildlife Management Research, Southern Illinois University, Carbondale, Illinois.....	1948

	DENNISON, MISS BESSIE, 160 Grenadier Rd., Toronto, Ontario, Canada . . .	1952
M	DENTON, DR. J[AMES] FRED, 1510 Pendleton Rd., Augusta, Georgia. (1935)	1950
HL	DERBY, DR. RICHARD, Oyster Bay, Long Island, New York.	1898
LF	DE SCHAUNSEE, RODOLPHE M[EYER], Devon, Pennsylvania. (1925)	1942
L	DESMOND, THOMAS C[HARLES], Box 670, Newburgh, New York.	1929
	DETMANN, WARREN, Milwaukee Public Museum, Milwaukee, Wisconsin	1936
	DEUEL, H[AROLD] F[RANCIS], 110 Hill, Arcata, California.	1950
	DEUSING, MURL, Milwaukee Public Museum, Milwaukee, Wisconsin. . . .	1935
	DEVANEY BERNARD C[HARLES], 212 Nevin St., Lancaster, Pennsylvania. .	1948
	DE VEL, DR. LEON, 739 Plymouth Blvd. S. E., Grand Rapids 6, Michigan	1948
	DEVITT, OTTO EDMUND, 68 Donegall Drive, Toronto 17, Ontario, Canada.	1933
	DE WEESE, JOHN RUTLEDGE, P. O. Box 508, Key West, Florida.	1953
	DEXTER, DR. RALPH W[ARREN], Kent State University, Kent, Ohio.	1942
	DICE, DR. LEE RAYMOND, Institute of Human Biology, University of Michigan, Ann Arbor, Michigan.	1944
	DICKENS, MISS ELIZABETH, Dickens Point, Block Island, Rhode Island. .	1921
	DICKENSON, MRS. LEILA B[RUNDAGE], 19 Burling Ave., White Plains, New York.	1952
L	DICKEY, MRS. FLORENCE V. V., 2100 Jackson St., San Francisco 15, Cali- fornia.	1948
	DICKIE, MRS. ROY N. [EVA S.], 3840 Loquat Ave., Miami 33, Florida. . . .	1952
M	DICKINSON, DR. J[OSHUA] C[LIFTON], JR., Department of Biology, Uni- versity of Florida, Gainesville, Florida. (1937)	1952
	DIEDRICH, JOHN LESTER, 3125 West Pierce St., Milwaukee 4, Wisconsin. .	1948
	DIETZ, VIOLA V[ERONICA], 60 N. Tremont St., York, Pennsylvania.	1949
	DIGNAM, JOHN HUGH, 64th St. Clair Ave., W., 108, Toronto, Ontario, Canada.	1953
	DILGER, WILLIAM C., Laboratory of Ornithology, Fernow Hall, Cornell University, Ithaca, New York.	1951
	DILLEY, WILLARD E., 104th N. E. 18th St., Homestead, Florida.	1936
	DILLMAN, MRS. ALBERT F. [NORA G.], 62 Newton Ave., Sussex, New Jersey	1951
	DINGLE, EDWARD VON SIEBOLD, Huger, South Carolina.	1920
	DINGLE, HUGH, R. R. No. 2, Rosedale Rd., Princeton, New Jersey.	1953
	DITTEMORE, LESTER POE, 1207 Byron Ave., Topeka, Kansas.	1952
	DIXON, JAMES B[ENJAMIN], R. R. No. 3, Box 1143, Escondido, California. .	1939
	DIXON, JAMES E., R. R. 1, Box 429, Escondido, California.	1953
	DIXON, DR. KEITH L[EE], Department of Wildlife Management, A. and M. College of Texas, College Station, Texas.	1943
	DIXON, RALPH E., Star Route Box 810, Escondido, California.	1947
	DOBSON, JEROME J[OHN], R. R. No. 1, Box 144, Exeter, California.	1952
	DODGE, ERNEST S[TANLEY], Peabody Museum, Salem, Massachusetts. . .	1936
	DODGE, VICTOR K[ENNY], 137 Bell Court West, Lexington, Kentucky. . .	1937
	DOEPFEL, MRS. HENRY W. [LESLIE O.], 30 Cooper Lane, Larchmont, New York.	1952
	DOERING, HUBERT R[AYMOND], 82 E. Elm St., Chicago 11, Illinois.	1944
	DORN, JOSEPH LAMBERT, Jesuit High School, 4133 Banks St., New Orleans 19, Louisiana.	1953
	DORNAN, JOHN E., Graver's Lane and Flourtown Rd., Chestnut Hill, Philadelphia 18, Pennsylvania.	1947
	D'OSTILIO, DOMINICK O[IRLANDO], 869—24th St., Boulder, Colorado. . . .	1952

	DOUGLASS, DONALD W[ICKWARE], Game Division, Michigan Department of Conservation, Lansing 13, Michigan.....	1943
	DOWLING, P[AUL] BRUCE, 332 W. Dallas St., Mount Vernon, Missouri... ..	1950
	DOWN, E. H., 28, Lynton Mead, Totteridge, London N. 20, England... ..	1952
	DOWNES, DR. THEODORE, Los Angeles County Museum, Exposition Park, Los Angeles 7, California.....	1942
	DREIS, ROBERT E[DWARD], Conservation Biologist, Area III Headquarters, Black River Falls, Wisconsin.....	1952
	DRESSEL, EVAN C[HARLES], Western Reserve Road, R. R. No. 1, Poland, Ohio.....	1949
	DRESSER, MRS. JAMES D., JR., 9620 Von Thaden, R. R. No. 4, Wichita, Kansas.....	1950
	DREW, GEORGE A[LBERT] JR., 81 Old Concord Rd., Belmont 78, Massachusetts.....	1951
	DRINKWATER, HOWARD [FRANK], Old Rd., Whitehouse, New Jersey.....	1950
	DRISCOLL, DOROTHY H., 203 Aspinwall Ave., Brookline 46, Massachusetts	1951
	DRIVER, E. RAYMOND, Box 234, R. R. No. 1, Central Point, Oregon.....	1946
	DROVEDAHL, MRS. EDWARD [LOUISE M.], 11365-Coyle Ave., Detroit 27, Michigan.....	1953
	DRURY, LOIS M[AUDE], 1 Buena Vista Court, Urbana, Illinois.....	1951
	DRURY, DR. WILLIAM HOLLAND, JR., Biological Laboratories, 16 Divinity Ave., Cambridge 38, Massachusetts.....	1935
M	DUBOIS, ALEXANDER DAWES, Christmas Lake Rd., R. R. No. 4, Excelsior, Minnesota.....	(1905) 1950
	DUDLEY, JOHN MURCHIE, 20 Germain St., Calais, Maine.....	1931
	DUFF, CARROLL VICTOR, 1922 Tamarind Ave., Hollywood 28, California..	1953
	DUFFIELD, MRS. J. W. [MARJORIE O.], Box 552, Placerville, California	1952
	DUFFY, JOHN J[OSEPH], JR., 1707 S. Henning Ave., Evansville 14, Indiana	1952
M	DUMONT, PHILIP A[TKINSON], 4114 Fessenden St., N. W., Washington 16, D. C.....	(1927) 1941
	DUNDAS, LESTER HARVEY, Rice Lake Wildlife Refuge, East Lake, Minnesota.....	1941
	DUNHAM, MRS. CAROLINE A[LLEN], 450 Beverly Rd., Ridgewood, New Jersey.....	1933
	DUNLAP, DR. V[INING] C[AMPBELL], Bowdoinham, Maine.....	1950
	DUNNING, JOHN S[TEWART], 150 Notch Rd., Granby, Connecticut.....	1950
	DUNNING, ORVILLE M., 22 Longridge Rd., Plandome, New York.....	1952
M	DUVALL, ALLEN J[OSEPH], U. S. National Museum, Washington, D. C. (1935)	1948
	DYER, WILLIAM, 402 John St., Union City, Michigan.....	1946
	DYKE, SAM[UEL] H[ULL], R. R. No. 6, Lancaster, Pennsylvania.....	1949
	EASTMAN, FRANCIS B[UCK], P. O. Box 96, Mandeville, Louisiana.....	1909
	EASTMAN, WHITNEY [HASKINS], 4450 West Lake Harriet Blvd., Minneapolis 10, Minnesota.....	1949
	EATON, RICHARD J[EFFERSON], Bedford Rd., Lincoln, Massachusetts....	1930
	EATON, STEPHEN W[OODMAN], Department of Biological Sciences, St. Bonaventure College, St. Bonaventure, New York.....	1942
	EBERT, MRS. ERNEST C. [RUTH], 1318 Capital Way, Capital Apartments No. 107, Olympia, Washington.....	1946
	EBERT, PAUL WILLIAM, R. R. No. 4, The Dalles, Oregon.....	1952

	ECKELBERRY, DON [RICHARD], 4 Foster Lane, Babylon, Long Island, New York	1942
	EDDY, GARRETT, 4515 Ruffner St., Seattle 99, Washington	1939
	EDDY, DR. S[TANTON] S[EELY] JR., 93 Main St., Middlebury, Vermont	1951
	EDEBURN, RALPH M[ILTON], Marshall College, Huntington 1, West Virginia	1947
	EDEY, MAITLAND A[RMSTRONG], Wolver Hollow Rd., Brookville, Long Island, New York	1948
	EDGE, MRS. CHARLES NOEL, Emergency Conservation Committee, 767 Lexington Ave., New York, New York	1938
HL	EDSON, JOHN MILTON, 336 W. 50th St., Seattle, Washington	1886
	EDWARDS, ALICE N[ETTLETON] [MRS. O. M.], Grassy Lane Farm, Cazenovia, New York	1949
	EDWARDS, DR. ERNEST P[RESTON], Box 611, Amherst, Virginia	1949
	EDWARDS, FRANK, "Ballabag," The Point, Port Saint Mary, Isle of Man, England	1949
	EDWARDS, DR. KENNETH F[REDERICK], 169 Hillendale Ave., Bath Road P. O., Kingston, Ontario, Canada	1952
	EGERTON, FRANK N[ICHOLAS] III, 411 N. Gregson St., Durham, North Carolina	1952
	EHLERS, MRS. JOHN, R. R. No. 1, Gladbrook, Iowa	1952
	EICHLER, HERBERT P., 2211 Andrews Ave., New York 53, New York	1947
	EINHORN, BENJAMIN, 7 Parker Ave., West Deal, New Jersey	1946
	EISENHART, RUTH C[ECILIA], Union Theological Seminary Library, 3041 Broadway, New York 27, New York	1949
LM	EISENMANN, EUGENE, 11 Broadway, New York 4, New York (1936)	1951
	EISENMAYER, BETTY J[RAN], 1917 N. Main Ave., Springfield 1, Missouri	1950
	EKBLAW, GEORGE E[LBERT], 511 W. Main St., Urbana, Illinois	1946
	EKDAHL, CONRAD H[OWARD], Box 1246, Daytona Beach, Florida	1948
	EKLUND, DR. CARL M[ILTON], Rocky Mountain Laboratory, Hamilton, Montana	1950
L	ELDRIDGE, EVERETT, Chatham, Cape Cod, Massachusetts	1928
	ELIOT, SAMUEL A[TKINS], JR., 31 Dryads Green, Northampton, Massachusetts	1936
	ELIOT, THEODORE L[YMAN], 401 Golden Gate Ave., Belvedere, California	1940
	ELKINS, KIMBALL C[ONRO], 3½ Madison St., Cambridge, Massachusetts	1940
	ELLARSON, ROBERT S[COTT], 424 University Farm Place, Madison 6, Wisconsin	1952
	ELLIOTT, CHARLES FREMONT, 75 Anderson St., Hackensack, New Jersey	1936
	ELLIOTT, JOHN JACKSON, 3994 Park Ave., Seaford, Long Island, New York	1940
	ELLIS, HAZEL ROSETTA, Keuka College, Keuka Park, New York	1935
	ELLWOOD, JAMES R., Sheldon Rd., R. D. No. 2, Valencia, Pennsylvania	1950
	ELSTONE, ROBERT O[LIVER], 249 Charlton Ave. W., Hamilton, Ontario, Canada	1950
	ELY, CHARLES [ADELBERT], R. D. No. 2, Wellsboro, Pennsylvania	1948
	EMERSON, DAVID LOWELL, 155 Burt St., Taunton, Massachusetts	1940
	EMERSON, GUY, 16 E. 11th St., New York 3, New York	1947
	EMERSON, MISS MARY LOUISE, 587 Ashland Ave., Buffalo 22, New York	1949
	EMERSON, STEPHEN, 806 W. Main St., Urbana, Illinois	1950
	EMERY, F[RANK] H[ARDIE], 29 Old Mill Terrace, Toronto, Ontario, Canada	1928
M	EMILIO, S[HEPARD] GILBERT, Gilford, New Hampshire (1922)	1938

F	EMLÉN, DR. JOHN T[HOMPSON], JR., Department of Zoology, University of Wisconsin, Madison 6, Wisconsin..... (1925)	1949
	ENGEL, G[EOURGE] CURTIS, 460 Spring Ave., Ridgewood, New Jersey.....	1951
	ENGLISH, ALMON OWEN, 2803 Rosalind Ave. S. W., Roanoke, Virginia....	1928
	ENNIS, DR. J[AMES] HAROLD, CORNELL COLLEGE, MOUNT VERNON, IOWA....	1941
	ENSSLER, HARRY THOMAS, 411 Waverly Rd., Wyncote, Pennsylvania....	1946
	EPHRAIM, WILLIAM A[BBE], 1630 Grand Ave., Bronx, New York 53, New York.....	1949
	ERICKSON, DR. ARNOLD BURTON, 1005-06 Commerce Bldg., Saint Paul 1, Minnesota.....	1936
	ERICKSON, DR. JOHN G[ERHARD], 611 N. Lilac Dr., Minneapolis 22, Minnesota.....	1952
M	ERICKSON, DR. MARY MARILLA, 3505 Foothill Rd., Santa Barbara, California..... (1947)	1950
	ERICKSON, RAY C[HARLES], 1104 Washington Ave., St. Peter, Minnesota..	1946
	ERNST, ROGER, 170 Sargent Rd., Brookline, Massachusetts.....	1941
F	ERRINGTON, DR. PAUL L[ESTER], Insectary, Iowa State College, Ames, Iowa..... (1932)	1936
	ESCHELMAN, DR. KARL F[ERDINAND], 8 North Drive, Buffalo 16, New York	1949
	EVANS, DR. EVAN MORTON, 550 Park Ave., New York, New York.....	1916
	EVANS, J[OHN] HARWOOD, 517 Jackson Dr., Oshkosh, Wisconsin.....	1948
	EVANS, Z[ACCHEUS] BOND, Aurora, Preston County, West Virginia.....	1953
	EVENDEN, FRED G[EOURGE], JR., 3434 57th St., Sacramento 20, California..	1949
	EVERETT, MISS CONSTANCE A[NTOINETTE], 206-9th St., N. E., Waseca, Minnesota.....	1948
	EYER, LESTER E[MERY], 833-A. Chestnut Rd., East Lansing, Michigan..	1948
	EYNON, ALFRED ERNEST, 5 Beach Rd., Verona, New Jersey.....	1934
	EYRE, JOHN ALFRED, 460 Gladstone Ave., Toronto 4, Ontario, Canada... 1946	
	EYSTER, MARSHALL B[LACKWELL], Department of Biology, Box 545, Southwestern Louisiana Institute, Lafayette, Louisiana.....	1949
	FAGER, DR. EDWARD W[ILLIAM], 543 Cleanmount Dr., Youngstown 11, Ohio.....	1950
	FAIRBANKS, MRS. PAUL H. [VIRGINIA B.], United States Forest Service, Pinehurst Ranger Station, Miramonte, California.....	1948
	FALES, JOHN H[OUSE], 1917 Elkhart St., Silver Spring, Maryland.....	1939
	FARGO, WILLIAM GILBERT, 506 Union St., Jackson, Michigan.....	1923
M	FARNER, DR. DONALD S[AUKEY], Department of Zoology, The State College of Washington, Pullman, Washington..... (1941)	1946
	FARRAR, MERRITT C[ALVIN], 942 Bonita Dr., Winter Park, Florida.....	1946
	FARREL, FRANKLIN, 3RD., Northrup Rd., Woodbridge, Connecticut.....	1950
	FARRINGTON, S[ELWYN] KIP, JR., Main St., East Hampton, Long Island, New York.....	1949
	FASNACHT, CARL L., 328 E. Ross St., Lancaster, Pennsylvania.....	1951
	FAST, ARTHUR H., 4924 Rock Spring Rd., Arlington, Virginia.....	1946
	FAUTIN, DR. REED WINGATE, Department of Zoology and Physiology, University of Wyoming, Laramie, Wyoming.....	1938
	FAUVEL, BERTRAM A., 263 McLeod St., Ottawa, Ontario, Canada.....	1948
	FAVER, MRS. WILLIAM H[OWARD], Eastover, South Carolina.....	1951
	FEENEY, REV. THOMAS J[OHN], 422 E. 10th St., Davenport, Iowa.....	1948
	FEGEL, ARTHUR C., Box 840, R. F. D. No. 1, Rahway, New Jersey.....	1943
	FEHON, JACK H[AROLD], Department of Zoology, Florida State University, Tallahassee, Florida.....	1951

	FEIGHNER, MISS LENA VETA, 298—I S. Tremont St., Kansas City, Kansas.....	1934
	FEINBERG, EZRA J[OHN], 41 W. 72nd St., New York City 23, New York....	1951
	FEINGOLD, MISS ROSE, 4206 St. Charles Ave., New Orleans 15, Louisiana	1952
	FELDMAN, ALBERT EDWARD, 187 Strathmore Rd., Brighton 35, Massachusetts.....	1952
	FENNELL, CHESTER M[ARTIN], 21475 Hillsdale Ave., Fairview Park 26, Ohio.....	1948
	FERDINAND, DR. [PETER] L[ORENZ], Scr. Kjeldsgade 12, Copenhagen, Denmark.....	1949
	FERGUSON, DAVID SOWERS, Box 53, R. R., Philipsburg, Pennsylvania....	1937
	FERGUSON, WILLIAM HENRY, 5907 Mason St., Omaha, Nebraska.....	1946
	FERNANDEZ, DRA. RAMONA, Museo Poey, Catedra "U," Escuela de Ciencias, University de la Habana, Habana, Cuba.....	1950
	FICKE, BRUCE L[EE], 12 Godfrey Place, Wilton, Connecticut.....	1951
	FICKETT, STEPHEN BURROWS, JR., P. O. Box 343, Branford, Florida.....	1948
	FIELD, MARSHALL [HOWARD], R. R. 2, St. Thomas, Ontario, Canada.....	1948
	FILER, ERVIN E., Little Sister Farms, St. David, Illinois.....	1950
	FILLEBROWN, THOMAS SCOTT, Box 27, Woodstock, Vermont.....	1947
	FINDLEY, JAMES SMITH, Museum of Natural History, University of Kansas, Lawrence, Kansas.....	1948
	FINDLEY, J[OHN] S[COTT], 1201 S. Center Ave., Sioux Falls, South Dakota.	1950
	FINLEY, DR. JOHN C., Meaford, Ontario, Canada.....	1953
	FISCHER, RICHARD B., Laboratory of Ornithology, Fernow Hall, Cornell University, Ithaca, New York.....	1947
	FISCHER, RUDOLPH, 215 E. Foothill Blvd., LaVerne, California.....	1949
	FISH, DR. WILLIAM R[ALPH], 302-B Entwistle St., China Lake, California.	1951
F	FISHER, DR. HARVEY IRVIN, Department of Zoology, University of Illinois, Urbana, Illinois.....	(1944) 1950
FE	FISHER, DR. WALTER K[ENRICK], Hopkins Marine Station, Pacific Grove, California.....	(1899) 1905
	FISHER, WALTER TAYLOR, 949 Fisher Lane, Winnetka, Illinois.....	1932
	FISK, DR. GUY H., 592 Walpole Ave., Montreal 16, Quebec, Canada....	1947
	FITCH, DR. HENRY SHELDON, Natural History Reservation, University of Kansas, R. R. No. 3, Lawrence, Kansas.....	1946
	FITZGERALD, DR. JAMES L[YNN], 130 No. 14th St., Allentown, Pennsylvania	1952
	FITZSIMONS, OGDEN, Box 202, Kimberton, Pennsylvania.....	1952
	FLACH, MAJOR B[ENGT] [ERIKSSON], Flygvapnet (Royal Swedish Air Force) Stockholm 80, Sweden.....	1951
	FLEETWOOD, RAYMOND J[UDY], Bosque del Apache National Wildlife Refuge, San Antonio, New Mexico.....	1942
	FLEISHER, DR. EDWARD, 20 Plaza St., Brooklyn 38, New York.....	1943
	FLEMING, ROGER, Box 122, Woodsboro, Texas.....	1953
	FLEMING, MRS. THOMAS, 1541 Lombardy Rd., Pasadena, California....	1935
	FLETCHER, A. J., R. R. No. 1, Denton, Maryland.....	1953
	FLINTON, LAUREL, JR., 1288 Lloyd George Ave., Crawford Park, Verdun, Quebec, Canada.....	1950
	FLOOD, GRACE [MRS. AUBREY CLEVELAND], 455 Linden Rd., Birmingham, Michigan.....	1933
	FLOWERS, RICHARD H., JR., Box 735, Greenwood, Mississippi.....	1953

	FLOYD, CHARLES BENTON, 454 Wolcott St., Auburndale, Massachusetts . . .	1916
	FLUCK, DR. PAUL HAVENS, 73 N. Union St., Lambertville, New Jersey . . .	1948
	FLUEKIGER, MISS DORA WHILMAN, Hotel Dauphin, Broadway at 67th St., New York 23, New York	1947
	FOGLE, ORIN G[OOD], P. O. Box 695, Hallandale, Florida	1951
	FOLEY, EDWARD J[AMES], 5349 N. Bay Ridge Ave., Milwaukee 11, Wis- consin	1947
	FOLLETT, WILBUR IRVING, 3501 Broadway, Oakland 11, California	1946
	FONAROFF, LEONARD, 115 A Polo Village, Tucson, Arizona	1952
L	FORBES, HOWARD M., 87 Church St., Weston, Massachusetts	1953
	FORD, CHARLES E[DWARD], S. Orchard Rd., Vineland, New Jersey	1952
	FORD, WINFRED N[ATHAN] JR., 31 N. Chenango St., Greene, New York . .	1949
	FORDHAM, STEPHEN C[RANE], JR., Delmar Game Farm, Delmar, New York	1946
	FOREE, DR. LYNN, 379—30th St., Oakland 11, California	1952
	FORWARD, MRS. TRACY C., Ione, Colorado	1949
L	FOSTER, FRANCIS A[PTHORP], Box 31—A, R. R., Vineyard Haven, Massa- chusetts	1918
	FOSTER, H. LINCOLN, R. F. D., Falls Village, Connecticut	1952
	FOSTER, [JOHN] BRIS[TOL], 136 Dawlish Ave., Toronto 12, Ontario, Canada	1949
L	FOSTER, JOHN HAWLEY, Wayne, Pennsylvania	1927
	FOSTER, THOMAS [HENRY], West Rd., Bennington, Vermont	1948
HL	FOWLER, HENRY WEED, Academy of Natural Science, 19th St. and Park- way, Philadelphia, Pennsylvania	1898
	FOX, ADRIAN C[ASPAR], Box 1451, Lincoln, Nebraska	1935
	FOX, JENNIE ETHEL, Palisades, Rockland Co., New York	1925
	FOX, ROBERT P., 311 Beale St., Wollaston 70, Massachusetts	1951
	FOX, DR. WADE, JR., Department of Anatomy, Louisiana State University School of Medicine, New Orleans, Louisiana	1947
	FRANCIS, C. STUART, Spruce Dale Farm, Torch River, Saskatchewan, Canada	1947
	FRANZEN, A[LBERT] J[OHN], Chicago Natural History Museum, Chicago, Illinois	1934
	FRAZIER, FRANK P[BEARSALL], 424 Highland Ave., Upper Montclair, New Jersey	1951
	FREDRICKSON, RICHARD WILLIAM, 6D, Sunnyside, University of Kansas, Lawrence, Kansas	1947
	FREE, GEORGE J[AMISON], 626 Sunset Rd., State College, Pennsylvania . . .	1935
	FREEMAN, FRANK JEROME, 2827 Val Verde, N. E., Albuquerque, New Mexico	1947
	FREER, MRS. MARIAN F[RANCES], Box 87, Plains, Montana	1949
	FRENCH, MRS. ANNA MORTON, 19 Olyphant Pl., Morristown, New Jersey . .	1946
	FRENCH, DR. J. DOUGLAS, 732 Golden West Ave., Arcadia, California . . .	1946
L	FRENCH, MENA VESTAL [MRS. GEORGE EDWARD], Box 171, Wayland, Massachusetts	1923
	FRENCH, NORMAN ROGER, Division of Biology, University of Utah, Salt Lake City 1, Utah	1953
L	FREY, MRS. EDITH KRIEGER, 814—3rd St., Jackson, Michigan	1923
	FREYBURGER, DR. WALTER ALFRED, JR., 934 Grant St., Kalamazoo, Michigan	1943
	FRIEDERS, REV. FABIAN, St. Meinrad's Abbey, St. Meinrad, Indiana	1950

	FRIEDLANDER, NORMAN, 112 W. 44th St., New York, New York.....	1948
	FRIEDMAN, RALPH, 14 E. 75th St., New York, New York.....	1921
F	FRIEDMANN, DR. HERBERT, Division of Birds, U. S. National Museum, Washington 25, D. C..... (1921)	1929
	FRISTER, CARL P[HILIP], 2956 A. N. 38th St., Milwaukee 10, Wisconsin..	1950
	FRITH, ROWLEY, 65 Acacia Ave., Ottawa, Ontario, Canada.....	1947
	FROEHLICH, MRS. DAVID E., 321 El Cerrito Ave., Piedmont 11, California.	1953
	FROST, CHARLES M[ESHECH], 623 Oaklawn Ave., Winston-Salem, North Carolina.....	1953
	FROST, HERBERT H., Ricks College, Rexburg, Idaho.....	1953
	FRY, MRS. GLADYS GORDON, 66 Eagle Rock Way, Montclair, New Jersey	1925
	FRY, VARIAN, 56 Irving Place, New York 3, New York.....	1946
	FRYE, OZRO EARLE, JR., Game and Fresh Water Fish Commission, Tallahassee, Florida.....	1947
	FUHRMANN, DR. JOHN B[ARCLAY], 5 Main St., Flemington, New Jersey....	1950
	FULLER, W[ILLIAM] A[LBERT] [LENNOX], Fort Smith, Northwest Territories, Canada.....	1950
	FULTON, W. F., R. R. No. 2, Maidstone, Ontario, Canada.....	1952
	FURNISS, OWEN CECIL, Box 756, Alberni, British Columbia, Canada....	1931
	GABORIAULT, WILFRID, St. Viator High School, 7315 de Lanaudiere St., Montreal 35, Quebec, Canada.....	1953
F	GABRIELSON, IRA N[OEL], R. R. No. 2, Box 195, Vienna, Virginia... (1912)	1938
	GAEGLICK, NORMAN F., 924-18 Avenue S. E., Calgary, Alberta, Canada...	1953
L	GAGE, KATHLEEN R., [MRS. CHARLES E.], 401 Great Falls St., Falls Church, Virginia.....	1943
	GAILLARD, STEPHEN LEE, 9 Lee Pl., Bronxville, New York.....	1941
	GAINES, ARTHUR, 1 Wall Street, New York 5, New York.....	1952
	GAINES, LOUIS FRANKLIN, Box 299, Jupiter, Florida.....	1950
	GAIRLOCH, STANLEY S[TANFORD], R. R. No. 2, N. Scituate, Rhode Island..	1947
	GALLEY, MRS. AUGUSTA R[ICHMOND] [MRS. E. J. G.], 4915 Cass St., Omaha, Nebraska.....	1949
	GALLEY, JOHN E[DMOND], 1610 W. Holloway Ave., Midland, Texas.....	1949
	GALLOWAY, LEO A[LDIS], Fullerton, Nebraska.....	1951
	GALLUP, FRED[ERICK] N[ORMAN], Box 614, Escondido, California.....	1948
	GAMBRILL, MRS. RICHARD V. [EDITH B], Vernon Manor, Peapack, New Jersey.....	1951
	GAMERO, ANTONIO, 1837 N. Alexandria Ave., Hollywood 28, California..	1953
	GAMMELL, ANN M. [MRS. ROBERT T.], Kenmare, North Dakota.....	1952
	GAMMELL, DR. ROBERT T., Kenmare, North Dakota.....	1942
	GANDY, BENJAMIN E[RSKINE], 3440 Rosemary Ave., Jackson 9, Mississippi	1952
M	GANIEZ, ALBERT F., 2112 Woodlawn Dr., Nashville, Tennessee... (1917)	1934
	GANTZ, R[OBERT] J. M., R. D. 2, Doylestown, Bucks County, Pennsylvania	1949
HL	GARDNER, CHARLES BARNES, 133 W. Main St., Norwalk, Ohio.....	1903
	GARDNER, ALFRED WILD, Box 44, Aspen, Colorado.....	1953
	GARDNER, MERRIEL M[ASLIN] [MRS. I. C.], 9531 E. Stanhope Rd., Ken- sington, Maryland.....	1943
	GARLAND, LEONARD J., 260-73 73rd Ave., Glen Oaks, Floral Park, Long Island, New York.....	1953
	GARNER, WILLIAM V[AUGHN], 447 E. Wadsworth St., Philadelphia 19, Pennsylvania.....	1948

	GARRETT, [MARY] LOIS, 1709 Chestnut St., Kenova, West Virginia.	1949
	GARRISON, DAVID L[LOYD], Old Lexington Road, Lincoln, Massachusetts	1949
	GARRISON, ROBERT C[HARLES], Box 105, Bonita Springs, Florida.	1950
	GARRITY, DEVIN A[DAIR], 682 Forest Ave., Rye, New York.	1947
	GARVAN, MRS. FRANCIS P., 740 Park Ave., New York 21, New York. . . .	1948
	GARY, W[ILBUR] Y[OCUM], P. O. Box 1791, Jacksonville 1, Florida.	1950
	GASHWILER, JAY S., U. S. Fish and Wildlife Service, 218 Pioneer Post Office Building, Portland 4, Oregon.	1939
	GASPAREC, SAMUEL, Box 88, Homer, Alaska.	1953
	GATES, DORIS, 401 S. Ash, North Platte, Nebraska.	1952
	GATES, FRANK WARD R[ISDON], 156 Garfield Rd., West Hartford 7, Connecticut.	1928
	GAULT, MRS. LYNN [LUCILE DRAPER], Brasstown, North Carolina.	1952
L	GAUNTLETT, FREDERIC JOHN, 5802 Kirkside Dr., Chevy Chase 15, Maryland	1925
	GEALE, MR. B[EVERLEY] B., 109 Glenview Ave., Toronto, Ontario, Canada	1952
	GEIS, AELRED D[EAN], 429 C. Hawthorne Lane, East Lansing, Michigan. .	1952
	GELATIS, MRS. LEE H. [LILLIAN R.], 234 S. Maple Ave., Apartment G-1, Oak Park, Illinois.	1952
	GEMBOL, ROBERT V[ANCE], 3128 8th St., Columbus, Nebraska.	1952
	GENELLY, RICHARD E., 3392 Ridge Rd., Lafayette, California.	1952
	GENSCH, ROBERT H[ENRY], 105 Clark Ave., Billings, Montana.	1938
	GEORGE, DR. JOHN L[OTHAR], Division of Conservation, Vassar College, Poughkeepsie, New York.	1950
	GERSTELL, RICHARD, 355 N. West End Ave., Lancaster, Pennsylvania. . .	1939
	GIBBS, HAROLD N., A-71 Sowams Rd., Barrington, Rhode Island.	1939
	GIBBS, ROBERT HENRY, JR., 414 Stewart Ave., Ithaca, New York.	1947
	GIBSON, ROBERT H[OWARD], R. R. 2, Box 336, St. Helena, California. . .	1948
	GIER, DR. HERSHEL T[HOMAS], Department of Zoology, Kansas State College, Manhattan, Kansas.	1937
	GIESLER, J[OHN] CALVIN, R. F. D. 2, Box 154, Payette, Idaho.	1950
	GIFFORD, DR. HAROLD, 3636 Burt St., Omaha 3, Nebraska.	1946
	GIFT, ROBERT F[RANKLIN], 935 Washington Ave., Lewisburg, Pennsyl- vania.	1950
	GILBERT, DR. PERRY W[EBSTER], Zoology Department, Cornell University, McGraw Hall, Ithaca, New York.	1939
	GILES, LESTER A[LSBRA], JR., 16 "D" Weis Road, Albany 8, New York.	1953
	GILES, NORMAN H[ENRY], JR., Osborn Botanical Laboratory, Yale Univer- sity, New Haven, Connecticut.	1930
	GILL, GEOFFREY, 24 Overlook Dr., Huntington, Long Island, New York. .	1940
	GILLEN, HAROLD W., c/o Gillen and Co., 120 Broadway, New York 5, New York.	1950
	GILLESPIE, MRS. HAROLD S[HALOR] [MARJORIE K.], 655 Church St., Bound Brook, New Jersey.	1951
M	GILLIARD, E[RNEST] THOMAS, American Museum of Natural History, 79th St. and Central Park West, New York 24, New York. (1938)	1950
	GIRLING, WILLIAM G., R. R. No. 1, Wilton Grove, Ontario, Canada.	1952
	GLASGOW, CHARLES A[LFRED], 2421 First Ave., Edgely, Bristol, Penn- sylvania.	1952
	GLASGOW, LESLIE L., Louisiana State University, School of Forestry, Baton Rouge, Louisiana.	1952

	GLATFELTER, ALFRED E., Hampden DuBose Academy, Zellwood, Florida	1949
	GLENN, ROBERT W[YCOFF], 509 Orchard Ave., Avalon, Pittsburgh 2, Pennsylvania.....	1937
	GLENNY, FRED H., 1148 Linden Ave., Akron 10, Ohio.....	1947
	GLICK, BRUCE, 2062 E. 17th Ave., S-30, Columbus, Ohio.....	1948
	GLORE, W[ALTER] S[COFF], JR., Danville, Kentucky.....	1952
	GLOVER, DR. FRED A., Division of Natural Science, Humboldt State College, Arcata, California.....	1945
	GLOYD, DR. HOWARD K[AY], Chicago Academy of Sciences, 2001 N. Clark St., Chicago 14, Illinois.....	1939
	GNANN, WALTER N., Bonnie Doon Plantation, R. F. D. No. 1, Box 106, Ridgeland, South Carolina.....	1953
M	GODFREY, W[ILLIAM] EARL, National Museum of Canada, Ottawa, Ontario, Canada.....	(1942) 1949
	GOEBEL, HERMAN, 78-52 80th St., Brooklyn 27, New York.....	1947
	GOELET, ROBERT G., 546 Fifth Ave., New York 36, New York.....	1952
	GOELITZ, WALTER A[DOLPH], P. O. Box 58, Milford, Pennsylvania.....	1916
	GOETHE, C. M., Capital National Bank Bldg., 7th and "J" Sts., Sacramento 14, California.....	1947
	GOETZ, CHRISTIAN J[OHN], 3503 Middleton Ave., Cincinnati, Ohio.....	1929
	GOLDMAN, LUTHER CHASE, Fish and Wildlife Service, San Benito, Texas..	1947
	GOLDSTEIN, HARRY B[ARUCH], 5939 Addison St., Philadelphia 43, Pennsylvania.....	1947
	GOLDWASSER, MRS. MARTIN [PAULA N.], 24 Willow Street, Brooklyn 1, New York.....	1953
	GOMER, EDGAR R., General Delivery, Dulce, New Mexico.....	1952
M	GOOD, DR. ALBERT I., 819 Quinby Ave., Wooster, Ohio.....	(1939) 1948
	GOODEN, SAM[UEL] [KNAPP], 1222 Hunter St., Conway, Arkansas.....	1951
	GOODMAN, DONALD C., 705 W. Main St., Urbana, Illinois.....	1953
	GOODMAN, JEANNE MOORE, Department of Biology, University of Redlands, Redlands, California.....	1947
	GOODPASTURE, KATHERINE ANDERSON, [MRS. ERNEST W.], 408 Fairfax Ave., Nashville 5, Tennessee.....	1950
	GOODRIDGE, EDWIN T., Province Line Rd., Princeton, New Jersey.....	1946
	GOODWILL, E. V., Hydrographic Service, Department of Mines and Technical Surveys, Ottawa, Ontario, Canada.....	1942
	GOODWIN, CLIVE EDMUND, 38 Walsh Ave., Weston, Ontario, Canada....	1952
	GOODWIN, MARGARET S., Earnley, R. F. D. No. 5, West Chester, Pennsylvania.....	1942
	GOODWIN, ROBERT E., 90 East St., Oneonta, New York.....	1952
	GORDON, ALAN GEORGE, 15 Brookfield Rd., York Mills, Toronto, Ontario, Canada.....	1953
	GORDON, DAVID C[HARLES], 1012 Indianapolis Ave., Riverside, California	1951
	GORDON, HARRY E[DGAR], 307 Laburnum Crescent, Rochester, New York.	1911
	GORDON, MALCOLM S[TEPHEN], 1305-53rd St., Brooklyn 19, New York..	1952
	GORDON, SETH E[DWIN], 926 "J" St., Sacramento, California.....	1924
	GORSUCH, DAVID MAJOR, 1627 N. Maple, Tucson, Arizona.....	1952
	GOSLIN, CHARLES R., 726 E. King St., Lancaster, Ohio.....	1936
	GOTTSCHE, WERNER, H[ENRY], 8110 Cargill, Houston 15, Texas.....	1948
	GRABER, WILLIAM J[AMES] III, 695 Twentieth St., Beaumont, Texas.....	1951

	GRACE, LUCILE C. [Mrs. C. J.], Hilton's Rd., Slingerlands, New York...	1944
	GRAFF, GEORGE S., 830 Jefferson St., St. Charles, Missouri.....	1951
	GRAHAM, HATCH, JR., 10300 Viretta Lane, Los Angeles 24, California...	1950
	GRAHAM, HATCH, SR., 1106 Hall of Records, Los Angeles 12, California...	1947
	GRAHAM, DR. JOHN COOPER, 80 Hanson Place, Brooklyn 17, New York...	1949
	GRANGE, WALLACE, Sandhill Game Farm Inc., Babcock, Wisconsin.....	1923
	GRANT, DR. ADELE LEWIS, 6019 S. Overhill Dr., Los Angeles 43, California	1947
	GRANT, CLEVELAND P[UTNAM], 245 Davis St., Mineral Point, Wisconsin..	1924
	GRANT, ROBERT H., 2415 Newkirk Ave., Brooklyn 26, New York.....	1943
	GRAYCE, ROBERT, 141 Main St., Rockport, Massachusetts.....	1947
	GREELEY, FREDERICK, University Houses 15-B, Eagle Heights, Madison 5, Wisconsin.....	1937
L	GREEN, MORRIS MILLER, 39 Wyoming Ave., Ardmore, Pennsylvania...	1921
	GREEN, WALON CHARLES, 341 S. Roxbury Dr., Beverly Hills, California..	1951
M	GREENE, EARLE ROSENBURY, 418 S. Holt Ave., Los Angeles 48, California (1921)	1942
	GREENE, MRS. EARLE R., 418 S. Holt Ave., Los Angeles 48, California...	1953
	GREENE, DR. ROBERT A[LONZO], 11 Second St., Geneseo, New York.....	1948
	GREENHALGH, CLIFTON M., P. O. Box 326, Murray, Utah.....	1944
	GREENOUGH, MRS. CHESTER N., [RUTH H.], 10 Juniper Rd., Belmont 78, Massachusetts.....	1951
HL	GREENOUGH, HENRY V[OSS], "Greenhold Farm," Maple St., Carlisle, Massachusetts.....	1901
	GREENWALT, ERNEST J[AGGER], Wichita Mountains Wildlife Refuge, Cache, Oklahoma.....	1932
	GREENWALT, LEON, P. O. Box 274, Goshen, Indiana.....	1949
F	GREENWAY, JAMES COWAN, JR., Museum of Comparative Zoology, Cam- bridge 38, Massachusetts.....(1930)	1948
	GREGORY, ROBERT, R. No. 1, Mooresville, Indiana.....	1947
M	GREGORY, STEPHEN S[TRONG], Box N, Winnetka, Illinois.....(1906)	1934
	GREGORY, TAPPAN, 105 S. La Salle St., Chicago, Illinois.....	1931
	GRESHAM, HENRY L., 15 Fernwood Park, Rochester 9, New York.....	1947
	GREY, REV. JOHN HUGH, JR., Box 445, Williamsburg, Virginia.....	1952
	GRIFFEE, W. E., 580 Yeon Bldg., Portland 4, Oregon.....	1944
M	GRIFFIN, DR. DONALD R[EDFIELD], Biological Laboratories, Harvard University, Cambridge 38, Massachusetts.....(1936)	1947
	GRIFFIN, WILLIAM W[ELCOME], 3232 Pine Ridge Rd. N., Atlanta, Georgia	1946
M	GRIMES, SAMUEL ANDREW, 4627 Peachtree Circle E., Jacksonville, Florida (1925)	1951
	GRIMM, FORREST C[RAVER], 52 Conway St., Carlisle, Pennsylvania.....	1951
	GRIMM, WILLIAM C., Georgetown, South Carolina.....	1943
	GRINNELL, HILDA WOOD, [MRS. JOSEPH], 3016 Benvenue Ave., Berkeley 5, California.....	1931
L	GRINNELL, LAWRENCE I[RVING], 710 Triphammer Rd., Ithaca, New York	1938
F	GRISCOM, LUDLOW, Museum of Comparative Zoology, Cambridge 38, Massachusetts.....(1908)	1925
	GRISWOLD, JOHN AUGUSTUS, JR., The Zoological Society, 34th St. and Gerard Ave., Philadelphia 4, Pennsylvania.....	1933
	GROESBECK, WILLIAM M[AYNARD], 376 Seneca Rd., Hornell, New York...	1949
	GROFF, MISS FRANCES I[LOYD], Chester Heights, Pennsylvania.....	1929

- M GROMME, OWEN J., Milwaukee Public Museum, Milwaukee, Wisconsin (1924) 1939
- GROSCH, PHILIP H[ENRY], 9 Allen Pl., Fair Lawn, New Jersey 1952
- M GROSCH, PHILIP H[ENRY], 9 Allen Pl., Fair Lawn, New Jersey 1952
- M GROSCH, PHILIP H[ENRY], 9 Allen Pl., Fair Lawn, New Jersey 1952
- M GROSCH, PHILIP H[ENRY], 9 Allen Pl., Fair Lawn, New Jersey 1952
- F GROSS, DR. ALFRED OTTO, 11 Boody St., Brunswick, Maine (1935) 1950
- F GROSS, DR. ALFRED OTTO, 11 Boody St., Brunswick, Maine (1907) 1930
- GROTH, WILLIAM L., 7538 Wayne Ave., St. Louis 14, Missouri 1952
- GROVES, DR. JAMES WALTON, 95 Sunnyside Ave., Ottawa, Ontario, Canada 1952
- GROW, RAYMOND J., 513 West 5th Ave., Apt. 7, Gary, Indiana 1953
- GRUBE, GEORGE E[DWARD], Biology Department, Gettysburg College, Gettysburg, Pennsylvania 1943
- GRUENEWALD, ROBERT F[RANKLIN], Clifton, Illinois 1948
- GUDMUNDSSON, DR. FINNUR, Natturugripasafnid (Museum of Natural History), P. O. Box 532, Reykjavik, Iceland 1949
- L GUERNSEY, RAYMOND G[ANO], Eden Terrace, Poughkeepsie, New York . . 1928
- L GUILD, EASTHAM, Box 56, Papeete, Tahiti 1930
- GULLION, GORDON W[RIGHT], 624 Avenue "I," Boulder City, Nevada . . . 1946
- GUMBART, WILLIAM B., 205 Church St., New Haven 9, Connecticut 1948
- GUNDERSON, HARVEY L., Museum of Natural History, University of Minnesota, Minneapolis 14, Minnesota 1947
- LM GUNN, W[ILLIAM] W[ALKER] H[AMILTON], 178 Glenview Ave., Toronto 12, Ontario, Canada (1935) 1951
- GUNTER, DR. GORDON, Institute of Marine Science, Port Aransas, Texas . . 1948
- GUTHRIE, DR. DONALD, Robert Packer Hospital, Sayre, Pennsylvania . . . 1930
- GUTHRIE, HENRY B., 169 East 70th Street, New York 21, New York 1953
- HACKMAN, CHARLES DOUGLAS, Box 493, White Marsh P. O., Maryland . . 1953
- HAGAR, MRS. JACK [JOHN DAVID], Rockport, Texas 1937
- M HAGAR, JOSEPH A[RCHIBALD], Marshfield Hills, Massachusetts . . . (1935) 1939
- HAGENSTEIN, WALTER M., Medina, Washington 1946
- HAGUE, FLORENCE S[ANDER], Sweet Briar College, Sweet Briar, Virginia . . 1930
- HAINES, ROBERT L[EE], 54 E. Main St., Moorestown, New Jersey 1924
- HAKE, THEODORE R., 1553 Wayne Ave., York, Pennsylvania 1952
- HALBERG, MRS. HENRY N., 136 Arborway, Jamaica Plain 30, Massachusetts 1947
- HALEY, RONALD HUESTIS, 40 Harding Ave., Belmont 78, Massachusetts . . 1946
- HALL, EDWARD M[cMURTRY], 7620 S. College Ave., Whittier, California . . 1947
- HALL, DR. E[UGENE] RAYMOND, Museum of Natural History, University of Kansas, Lawrence, Kansas 1938
- HALL, DR. EUGENE W[ALTON], 7566 Norwalk, Normandy 21, Missouri . . 1953
- HALL, FRED T., Buffalo Museum of Science, Humboldt Park, Buffalo 11, New York 1939
- HALL, GEORGE A[RTHUR], Dept. of Chemistry, West Virginia University, Morgantown, West Virginia 1949
- HALL, WILLIS, 1111 Douglas Ave., Yankton, South Dakota 1948
- HALLE, LOUIS J[OSEPH], JR., 2831 Chesterfield Pl. N. W., Washington 8, D. C. 1934
- HALLER, FRANK D[ENVER], 215 N. 14th St., Coshocton, Ohio 1941
- HALLER, KARL W[ILLIAM], 1009 National Rd., Wheeling, West Virginia . . 1949
- HALLIDAY, HUGH M., 35 Don River Blvd., Willowdale, Ontario, Canada . . 1952
- HALLMAN, R[OY] C[LINE], Box 435, Port St. Joe, Florida 1928
- HALLORAN, ARTHUR F[RANKLIN], 661 7th Ave., P. O. Box 1032, Yuma, Arizona 1949

	HALVERSON, ARTHUR W[ILLIAM], 5705 W. Erie St., Chicago 44, Illinois.	1950
L	HAMANN, CARL F[ERDINAND], Maple Lane, Aurora, Ohio.	1951
	HAMERSHLAG, ROBERT J[OSEPH], Hook Rd., Katonah, New York.	1951
M	HAMERSTROM, DR. F[REDERICK] N[ATHAN], JR., R. F. D., Plainfield, Wisconsin. (1939)	1941
	HAMILTON, CHARLES W., 2639 Fenwood, Houston 5, Texas.	1947
	HAMILTON, G[OLDEN] DALE, 2550 Murray St., Shreveport 51, Louisiana.	1949
	HAMILTON, MRS. R. E. [ANNE P.], 704 Greenwood Dr., Dalton, Georgia.	1952
	HAMILTON, SELBY W. G., 711 Hurst St., New Orleans, Louisiana.	1953
	HAMILTON, TERRELL HUNTER, 1926 Swenson Ave., Abilene, Texas.	1953
	HAMILTON, DR. W[ILLIAM] J[OHN], JR., Dept. of Conservation, Cornell University, Ithaca, New York.	1924
	HAMILTON, WILLIAM J., III, 615 Highland Rd., Ithaca, New York.	1951
	HAMMOND, MERRILL C[LYDE], Lower Souris Refuge, Upham, North Dakota.	1937
	HAMMOND, DR. ROLAND, 41 Boylston Ave., Providence, Rhode Island.	1924
	HAMNETT, WILLIAM L., 2809 Kittrell Dr., Raleigh, North Carolina.	1937
	HAMPE, IRVING EDWARD, 5559 Ashbourne Rd., Baltimore 27, Maryland.	1933
	HAMRUM, CHARLES LOWELL, Dept. of Biology, Gustavus Adolphus College, St. Peter, Minnesota.	1948
L	HAND, RALPH L[EVY], 415 W. Central, Missoula, Montana.	1929
	HANDLEY, CHARLES OVERTON, JR., U. S. National Museum, Washington 25, D. C.	1941
M	HANDLEY, CHARLES OVERTON, SR., 6571 Roosevelt Ave., Charleston, West Virginia. (1916)	1948
	HANDLEY, JOHN MCNEEL, 6571 Roosevelt Ave., Charleston, West Virginia.	1947
	HANLON, ROBERT WM., Mankato High School, Mankato, Minnesota.	1951
M	HANN, DR. HARRY W[ILBERT-WILBUR], Zoology Dept., University of Michigan Ann Arbor, Michigan. (1930)	1942
	HANNA, DR. G. DALLAS, California Academy of Sciences, Golden Gate Park, San Francisco 18, California.	1930
	HANNA, WILSON CREAL, 712 N. Eight, Colton, California.	1919
	HANNEMANN, MRS. PAUL F., 22 Fern St., Bangor, Maine.	1947
	HANSMAN, ROBERT H[ERBERT], 1215 Avenue F., Fort Madison, Iowa.	1948
	HANSON, E[LMER] C[HARLES], 1305 Wisconsin Ave., Racine, Wisconsin.	1940
M	HANSON, HAROLD C[ARSTEN], Illinois Natural History Survey, Resources Bldg., Urbana 11, Illinois. (1937)	1952
	HANSON, ROSSALIUS C[HRIST], 2116 Sisson Dr., LaCrosse, Wisconsin.	1950
	HANSON, THOMAS [LYMAN], 251 Endlich Ave., Reading, Pennsylvania.	1949
	HANSON, WILLIAM RODERICK, Arizona Game and Fish Commission, 411 Blue Bell Lane, Prescott, Arizona.	1947
	HARBESON, BEN, R. R. No. 4, Paris, Kentucky.	1948
	HARDING, MRS. MARGARET R[OSE], 526 S. Van Ness Ave., Santa Ana, California.	1952
	HARDY, FREDERICK C., 200½ Jasper St., Somerset, Kentucky.	1949
	HARDY, JOHN WILLIAM, 2015 McCord St., Murphysboro, Illinois.	1953
	HARDY, DR. ROSS, Department of Biological Science, Long Beach State College, 6201 E. Anaheim St., Long Beach 4, California.	1938
	HARFORD, DR. HENRY M[INOR], 926 Argyle Bldg., Kansas City, Missouri.	1939
	HARGRAVE, LYNDON L[ANE], Box 505, Benson, Arizona.	1951
L	HARLEY, JAMES BICKEL, R. R. No. 1, Pottstown, Pennsylvania.	1946

HLM	HARPER, DR. FRANCIS, 115 Ridgway St., Mt. Holly, New Jersey . . . (1907)	1917
	HARRINGTON, DR. PAUL, 813 Bathurst St., Toronto, Ontario, Canada	1922
	HARRIOT, SAMUEL C[ARMAN], 200 W. 58th St., New York, New York	1934
	HARRIS, DR. ARTHUR TREVENNING, 14256 Ventura Blvd., Sherman Oaks, California	1950
LM	HARRIS, HARRY, 5234 Hermosa Ave., Eagle Rock, California (1911)	1919
	HARRIS, LUCIEN, JR., 61 Clarendon Ave., Avondale Estates, Georgia	1930
	HARRIS, ROBERT D., Canadian Wildlife Service, Dept. of Resources and Development, Ottawa, Ontario, Canada	1952
	HARRIS, DR. STUART K[IMBALL], R. F. D. 4, Georgetown, Massachusetts	1940
	HARRIS, WILLIAM GEO[RGE] F[OWLE], 147 Hillside St., Milton 86, Massachusetts	1933
L	HARRIS, WILLIAM P[ICKETT], JR., 309 Rivard Blvd., Grosse Pointe 30, Michigan	1925
L	HARRISON, ED N[EWTON], 1134 Glendon Ave., Los Angeles 27, California . .	1934
L	HARRISON, GEO. L[EIB], 1128 Fidelity-Philadelphia Trust Bldg., 123 S. Broad St., Philadelphia 9, Pennsylvania	1919
	HARRISON, HAL H., 1102 Highland St., Tarentum, Pennsylvania	1944
	HARROWER, DR. D[AVID] E[LSON], Newton, Connecticut	1933
	HART, W[ILLIAM] STEPHEN, 62, Forden Crescent, Westmount 6, P. Q., Canada	1926
	HARTE, KEN, 45 Lawrence Rd., Scarsdale, New York	1952
	HARTMAN, FRANK A[LEXANDER], Hamilton Hall, Ohio State University, Columbus, Ohio	1941
	HARTSHORNE, CHARLES, 1224 E. 57th St., Chicago 37, Illinois	1951
	HARTSHORNE, JAMES MOTT, c/o General Delivery, Jacksonville, North Carolina	1946
	HARWELL, CHARLES ALBERT, 2630 Hilgard Ave., Berkeley, California	1943
	HASBROUCK, DR. EDWIN M[ARBLE], 4909—14th, N. W., Washington, D. C.	1939
	HASBROUCK, HENRY C[RANE], 88 Douglas Road, Glen Ridge, New Jersey	1920
	HASTINGS, E[DWARD] EARNSHAW, 505 Oakley Rd., Haverford, Pennsylvania	1946
	HATCH, [CLARA] GRENVILLE, 2007 A-Round Top Dr., Honolulu 14, Hawaii	1950
	HATH, EARL HERBERT, 2109 Briar Gate Lane, Kirkwood 22, Missouri	1952
HL	HAVEMEYER, H[ENRY] O[SBORNE], Mahwah, New Jersey	1893
	HAWBECKER, ALBERT C., Fresno State College, Fresno, California	1947
	HAWKINS, L[ESLIE], G., P. O. Box 1663, Los Alamos, New Mexico	1947
	HAWKSLEY, OSCAR, Central Missouri State College, Warrensburg, Missouri	1943
	HAYDOCK, EDWARD L[AURENCE], P. O. Box 267, Luanshya, Northern Rhodesia, Africa	1948
	HAYMAN, ROBERT G[ENE], R. F. D. No. 1, Carey, Ohio	1951
	HAYNE, DR. DON W[ILLIAM], Dept. of Zoology, Michigan State College, East Lansing, Michigan	1950
	HAYNSWORTH, W[ILLIAM] F[RANCIS] B[AKER], 103 E. Calhoun St., Sumter, South Carolina	1950
	HAYS, EVA H., 11 Dorman Rd., Morningside, Wheeling, West Virginia . .	1944
	HEALY, JOSEPH F[RANCIS], 3520 N. Paulina St., Chicago 13, Illinois	1950
	HEAPS, MISS PEARL, 1916 Park Ave., Baltimore 17, Maryland	1948
	HEATH, REGINALD, 10532—128 St., Edmonton, Alberta, Canada	1950

M	HEBARD, FREDERICK V[ANUXEM], 1500 Walnut St. Bldg., Philadelphia, Pennsylvania.....	(1930)	1951
	HEBDITCH, G[ERALD] A[UBREY], 92 Rydes Hill Rd., Guildford, Surrey, England.....		1949
	HECKLER, SYDNEY B., 1207 N. 7th St., St. Louis 6, Missouri.....		1948
	HECKSCHER, STEVENS, 55 Sacramento St., Cambridge 38, Massachusetts..		1952
	HEDGES, HAROLD C[HARLES], R. R. 2, Quivira Lake, Kansas City 3, Kansas		1946
	HEDGPETH, JOEL T[HOMAS], 1201—29th Ave., San Francisco 22, California		1953
	HEED, WILLIAM B[ATTLES], Department of Zoology, University of Texas, Austin, Texas.....		1945
	HEFLEY, HAROLD M[ARTIN], Division of Biological Sciences, Mississippi Southern College, Station A., Hattiesburg, Mississippi.....		1947
	HEGNER, FRANK ARNOLD, 727 Broad St., Sewickley, Pennsylvania.....		1924
	HEILBORN, [KLAUS] AXEL, 1020 Creekside Dr., Niagara Falls, New York..		1949
	HEISER, JOSEPH M[ATHEW], JR., 1724 Kipling St., Houston 6, Texas....		1939
	HEISER, MISS MINNIE, 2611 Elisha Ave., Zion, Illinois.....		1947
	HELPER, MISS LOUISE, 111—9th St., Watkins Glen, New York.....		1929
	HELLEINER, FREDERICK M., Box 14, Swastika, Ontario, Canada.....		1947
	HELMS, CARL W., 336 W. Evers Ave., Bowling Green, Ohio.....		1952
	HENDERSON, MRS. ALEXANDER, 337 Aycrigg Ave., Passaic, New Jersey..		1946
	HENDERSON, ARCHIBALD DOUGLAS, Belvedere, Alberta, Canada.....		1949
	HENDERSON, MRS. WILLIAM L., Gibson Island, Maryland.....		1953
	HENDRICKS, GENE THOMPSON [MRS. PHILIP], 900 S. Robberson Ave., c/o C. E. Thompson, Springfield 4, Missouri.....		1947
	HENDRICKSON, DR. GEORGE O[SCAR], Department of Zoology and Entomology, Science Hall, Iowa State College, Ames, Iowa.....		1943
	HENNESSY, WESLEY J., Department of Engineering, Columbia University, New York 27, New York.....		1952
	HENNEY, MRS. NELLA B[RADDY], 111 Fifth St., Garden City, New York..		1950
	HENNINGSON, MRS. LILLIAN, 124 Cambridge Way, Piedmont 11, California.....		1953
	HENSLEY, M[ARVIN] MAX, Department of Biology, Gettysburg College, Gettysburg, Pennsylvania.....		1949
	HENRY, CORDIA J[OHN], Seney National Wildlife Refuge, Germfask, Michigan.....		1934
	HENWOOD, MRS. ETHEL M., 806 S. Lincoln, Urbana, Illinois.....		1947
	HERBERT, RICHARD A., 961 Fox St., Bronx 59, New York City, New York		1946
	HERMAN, DR. CARLTON M[ARTIN], Patuxent Research Refuge, Laurel, Maryland.....		1951
	HERMES, ROBERT C[ARLYLE], 205 N. Park Ave., Buffalo 16, New York....		1949
	HERNDON, LEE R., 1533 Burgie Pl., Elizabethton, Tennessee.....		1946
M	HERSEY, F[RANK] SEYMOUR, Bay Rd., Easton, Massachusetts.....	(1911)	1916
	HERSHEY, MISS CLARA L[OUISE], 168 Lincoln St., Steelton, Pennsylvania..		1937
	HESSER, ERNEST F., 112 S. 5th St., Walla Walla, Washington.....		1952
	HEWITT, DR. OLIVER H[AROLD], Dept. of Conservation, Fernow Hall, Cornell University, Ithaca, New York.....		1944
	HEYWOOD, PHILIP B., 332 Main St., Worcester 8, Massachusetts.....		1947
L	HIBBERT, MRS. HAROLD, Bettws-Y-Coed, Yarrow St., Bryn Mawr, Pennsylvania.....		1926
M	HICKEY, DR. JOSEPH J[AMES], 424 University Farm Place, Madison 5, Wisconsin.....	(1936)	1940

M	HICKEY, MARGARET BROOKS [MRS. JOSEPH JAMES], 5517 Dorsett Dr., Madison 5, Wisconsin.....	(1933)	1952
	HICKMAN, MRS. HERBERT AUSTIN, 2 Lexington Ave., Buffalo 22, New York.....		1947
LF	HICKS, DR. LAWRENCE EMERSON, 8 Chatham Rd., Columbus 2, Ohio (1929)		1941
L	HICKS, THOMAS W[ILLIAM], Apt. 204-C, Flavel Village III, Gainesville, Florida.....		1948
	HIGGINS, HAROLD G., 2965 S. 14th East, Salt Lake City, Utah.....		1943
	HIGGINS, THOMAS F., Box 85, Williston Pl., Long Island New York....		1947
	HIGHLEY, SEWARD T[RAINER], 43 Powder House Rd., Medford 55, Massachusetts.....		1953
	HIGHT, GORDON LEE, JR., c/o Simpson Grocery Co., Rome, Georgia.....		1953
	HIGMAN, H[ARRY] W[ENTWORTH], 12750—39th N. E., Seattle 55, Washington.....		1938
	HILDEBRAND, RICHARD D., Box 521, Del Rio, Texas.....		1950
L	HILDRETH, MISS MARY A., Park St., Haverhill, New Hampshire.....		1947
	HILL, DR. HAROLD M[ERRILL], 14 Clifton Ct., Redlands, California.....		1947
	HILL, MRS. JAMES, 9 Park St., Skowhegan, Maine.....		1953
L	HILL, JULIAN W[ERNER], 1106 Greenhill Ave., Wilmington, Delaware..		1934
	HILL, DR. NORMAN P[EIRCE], 2308 Highland Ave., Fall River, Massachusetts.....		1943
	HILL, DR. W. W., Dept. of Anthropology, University of New Mexico, Albuquerque, New Mexico.....		1951
	HILSABECK, MRS. W. D. [GRETCHEN H.], 1757 N. W. 33 St., Miami 42, Florida.....		1952
	HINCHMAN, RICHARD M[AY], 75 Fairbanks Rd., Milton 86, Massachusetts		1930
	HINDS, FRANK J., Dept. of Biology, Western State Teachers College, Kalamazoo, Michigan.....		1935
	HINDS, HAROLD ROYAL, 523 Old Conn. Path, Saxonville, Massachusetts.		1953
	HINES, JOSEPH A[USTIN], 30-12 49th St., Long Island City 3, New York..		1947
	HINSHAW, THOMAS D[OANE], 1827 San Juan Ave., Berkeley 7, California..		1930
	HIPPLE, BYRON T[HOMAS], JR., 114 Chestnut St., Albany 10, New York..		1949
	HIRSHBERG, ELIOT P[AUL], 72 Mamaroneck Rd., Scarsdale, New York..		1952
	HITCHCOCK, DR. HAROLD B., Department of Biology, Middlebury College, Middlebury, Vermont.....		1939
LM	HOCHBAUM, HANS ALBERT, Delta, Manitoba, Canada.....	(1942)	1946
	HOCK, DR. RAYMOND J., Arctic Health Research Center, U. S. Public Health Service, P. O. Box 960, Anchorage, Alaska.....		1946
	HODELL, ADAH R[IFE], 2026 Ponce de Leon Ave., West Palm Beach, Florida.....		1949
	HODGE, DR. GEORGE E[SPLIN], 53 Belvedere Circle, Westmount, Montreal, Canada.....		1951
	HODGES, JIM [JAMES], 324 W. 31st St., Davenport, Iowa.....		1946
	HOFFMAN, DONALD M[ILTON], 2906 Stuart St., Denver 12, Colorado.....		1948
	HOFFMAN, MRS. MARY, 242 Huron St., Apt. 7, London, Ontario, Canada..		1948
	HOFFMEISTER, LINUS C[HRISTIAN], 504 W. Ripo, Lemay 23, Missouri....		1939
	HOFSLUND, DR. PERSHING B[ERNARD], Biology Department, Duluth Branch, University of Minnesota, Duluth, Minnesota.....		1948
	HOIBERG, DR. ARNOLD JOHN, Rte. 3, Box 226, El Dorado, Arkansas....		1948

	HOLCOMBE, ALEXANDER H., JR., 2222 Arch St., Philadelphia 3, Pennsylvania	1949
	HOLDEN, FENN M[ITCHELL], Box 428, Grayling, Michigan	1952
	HOLDOM, CANON M[ARTIN] W[EBBER], Lindsay Cottage, Crescent Beach, British Columbia, Canada	1950
	HOLLAND, HAROLD MAY, Box 615, Galesburg, Illinois	1910
	HOLLERITH, RICHARD, 307 Shrewsbury Rd., Riverton, New Jersey	1946
	HOLLIWAY, MRS. BESSIE HELEN, Rockport, Missouri	1953
	HOLLOM, P[HLIP] A. D., Manor Cottage, Park Rd., Woking, Surrey, England	1942
	HOLMAN, JOHN P[AULISON], Fairfield, Connecticut	1922
	HOLMAN, ROBERT C., Biology Department, Westmont—Upper Yoder High School, Johnstown, Pennsylvania	1947
	HOLMBERG, MISS SEVERENA C[AROLINE], 4827 Woodlawn Blvd., Minneapolis 17, Minnesota	1949
	HOLMES, DR. WILLIAM H., R. R. No. 4, Barrington, Illinois	1942
M	HOLT, ERNEST G[OLSON], c/o Miss Olivia Holt, 713 Monroe St., Montgomery 5, Alabama (1911)	1925
	HOLZ, ALFRED O., 125 E. Kolb St., Green Bay, Wisconsin	1953
	HOOD, WILLIAM RICHARD, 300 N. W. 19th, Oklahoma City, Oklahoma	1952
	HOOPER, DR. KENNETH B[ERT], Grantham, Pennsylvania	1953
	HOPE, CLIFFORD E., Royal Ontario Museum of Zoology, 100 Queen's Park Drive, Toronto, Ontario, Canada	1947
	HOPKINS, MILTON N[EWTON], JR., 202 W. Roanoke Dr., Fitzgerald, Georgia	1950
	HORSEY, R[ICHARD] E[DGAR], 320 Eaglehead Rd., East Rochester, New York	1919
	HORSKY, L[EWIS] O[TTO], 1701 North 60th Street, Omaha 4, Nebraska	1948
	HOUGH, JOHN N[EWBOLD], 1515 Mariposa, Boulder, Colorado	1946
L	HOUSTON, C[LARENCE] STUART, Box 279, Yorkton, Saskatchewan, Canada	1943
F	HOWARD, DR. HILDEGARDE, [MRS. H. ANSON WYLDE], Los Angeles County Museum, Exposition Park, Los Angeles 7, California (1928)	1946
	HOWE, H[ENRY] BRANCH, JR., 423 N. Pinckney St., Apt. 3-B, Madison, Wisconsin	1943
LM	HOWELL, A[LFRED] BRAZIER, Alna, Maine (1909)	1922
M	HOWELL, DR. JOSEPH C[ORWIN], Zoology and Entomology Department, University of Tennessee, Knoxville, Tennessee (1928)	1949
	HOWELL, THELMA, Wesleyan College, Macon, Georgia	1947
	HOWELL, DR. THOMAS R[AYMOND], Department of Zoology, University of California, Los Angeles 24, California	1948
	HOWES, PAUL GRISWOLD, The Bruce Museum, Bruce Park, Greenwich, Connecticut	1951
	HOWSLEY, L[UCIEN] R[EEDER], Simpson Lane, Fort Bragg, California	1950
	HOY, NELSON D., 500 Sharon Ave., Sharon Hill, Pennsylvania	1943
	HOYT, SARAH FORESMAN [MRS. J. SOUTHGATE Y.], Fernow Hall, Cornell University, Ithaca, New York	1940
	HUBBARD, FRED H., Spring Prairie Parsonage, Morrisonville, Wisconsin	1952
	HUBBS, DR. CARL L., Scripps Institution of Oceanography, La Jolla, California	1947
	HUBBS, EARL LEAVITT, 3017 Wheeler, Berkeley 5, California	1948
	HUBERT, PHILIP A[RTHUR], JR., P. O. Box 618, Bellport, Long Island, New York	1949

M	HUDSON, DR. GEORGE E[L ^F ORD], 303 Side St., Pullman, Washington. (1928)	1948
	HUENECKE, HOWARD S., Des Lacs National Wildlife Refuge, Kenmare, North Dakota.....	1952
M	HUEY, LAURENCE M., Natural History Museum, Balboa Park, San Diego, California..... (1920)	1932
	HUFF, N. L., 1219—7th St., S. E., Minneapolis 14, Minnesota.....	1924
	HUGHES, DR. S[HELB]Y B[OND], 521 E. Jefferson St., Clinton, Missouri..	1949
	HUGHES, WALLACE, 624 S. W. 51st St., Oklahoma City, Oklahoma.....	1947
	HULBERT, LLOYD [CLAIR], Botany Department, University of Minnesota, Minneapolis 14, Minnesota.....	1939
	HULSIZER, WILLIAM HILL, 5611 Jones St., Omaha 6, Nebraska.....	1952
	HUMPHREY, JAMES [RAE], 3495 W. 30th Ave., Denver 11, Colorado.....	1949
	HUMPHREY, PHILIP STRONG, Museum of Zoology, University of Michigan, Ann Arbor, Michigan.....	1947
	HUNDLEY, MARION L., 155 Third St., S. E., Carrollton, Ohio.....	1951
	HUNGERFORD, DR. KENNETH E., School of Forestry, University of Idaho, Moscow, Idaho.....	1946
HL	HUNN, JOHN T[OWNSEND] S[HARPLESS], 1218 Prospect Ave., Plainfield, New Jersey.....	1895
	HUNNEWELL, MISS LOUISA, 848 Washington St., Wellesley, Massachusetts	1936
	HUNT, DR. GERALD MARSHALL, 3911 Alicia Dr., San Diego 7, California..	1952
	HUNT, MISS HELEN C[UMMINGS], Washington, Connecticut.....	1928
	HUNT, RICHARD ALLEN, Rt. 1, McFarland, Wisconsin.....	1953
	HUNT, MRS. WILLIAM L[UTHER], 709 14th St., S. E., Washington 3, D. C.	1950
	HUNTER, RAYMOND H[ARRISON], Box 7, Roswell, New Mexico.....	1952
	HUNTINGTON, CHARLES E[LLSWORTH], Department of Biology, Bowdoin College, Brunswick, Maine.....	1949
	HURLBUTT, MISS CATHERINE A., 1910 South Marion St., Denver 10, Colorado.....	1947
	HURLEY, JOHN BEATTY, 401 S. 17th Ave., Yakima, Washington.....	1946
	HURRIE, DAVID, Apt. 8C, Devonshire Apts., Brockville, Ontario, Canada	1952
	HUTCHINSON, ARTHUR E[MLEN], 2640 Glendessary Lane, Santa Barbara, California.....	1940
	HUTCHINSON, ELVERTA G[RAVES], R. R. No. 4, Box 176, Loveland, Ohio..	1951
	HUTT, DR. F[REDERICH] B[RUCE], Department of Poultry Husbandry, Rice Hall, Cornell University, Ithaca, New York.....	1932
L	HUVLER, COULTER D[UNHAM], Dewees Island via Charleston, South Carolina.....	1928
	IJAMS, H[ENRY] P[EARLE], Route 9, Knoxville, Tennessee.....	1922
	IMHOF, THOMAS A[NTHONY], 307—38 St., Fairfield, Alabama.....	1947
HL	INGERSOLL, ALBERT MILLS, 908 F. St., San Diego, California.....	1885
	INGLE, MRS. GERTRUDE [MUSSELL], Miller Place, Long Island, New York	1950
	INGLES, DR. LLOYD GLENN, Fresno State College, Fresno, California....	1947
	INGRAHAM, EDWARD A[NDREWS], 164 Montague St., Brooklyn, New York	1930
	IRVING, J[AMES] GORDON, 631 Albin St., Teaneck, New Jersey.....	1943
	IRVING, MRS. WILLIAM GARY, Van Houten Fields, West Nyack, New York	1947
	ISHAM, HENRY W[ARE], 460 Bellefontaine St., Pasadena 2, California....	1949
	IVOR, H. ROY, R. R. No. 1, Cooksville, Ontario, Canada.....	1947
	JACKSON, C[ICERO] F[LOYD], University of New Hampshire, Durham, New Hampshire.....	1936

HL	JACKSON, DR. HARTLEY H[ARRARD] T[HOMPSON], Room 61, U. S. National Museum, Washington 25, D. C.....	1910
	JACKSON, MORRIS N., R. R. No. 1, Fanny Bay, British Columbia, Canada	1952
	JACKSON, WILLIAM BRUCE, Fly Control Project, CDC, Sky Harbor Airport, 2418 E. Buchanan, Phoenix, Arizona.....	1951
	JACOBS, E. BRYAN, Waynesburg, Pennsylvania.....	1940
	JACOBSON, DR. MALCOLM ARTHUR, 13 W. 36th St., New York 19, New York	1947
	JAEGER, EDMUND C[ARROLL], Riverside College, Riverside, California....	1947
	JAHN, FRANCES FLOED [MRS. THEODORE], 10241 Chrysanthemum Lane, Los Angeles 24, California.....	1947
	JAMES, DOUGLAS A[RTHUR], Department of Zoology, University of Arkansas, Fayetteville, Arkansas.....	1946
	JAMES, MRS. MABEL F., R. R. No. 1, Brownington, Missouri.....	1953
	JAMES, DR. PAULINE, 912 W. Yoakum St., Kingsville, Texas.....	1953
	JANSSSEN, ROBERT B., 5128 Indianola Ave., Minneapolis 10, Minnesota...	1949
	JANVRIN, DR. E[DMUND] R[ANDOLPH] P[EASLEE], 38 E. 85th St., New York, New York.....	1919
M	JAQUES, F[RANCIS] L[EE], E. Oaks Rd., North Oaks Farm, St. Paul 13, Minnesota.....	(1924) 1934
	JAQUITH, BARBARA E[LIZABETH] [MRS. L. EVERETT], 84 Poplar Plains Crescent, Toronto, Ontario, Canada.....	1940
	JASSE, ROBERT F[RANCIS], 180 Revere Beach Parkway, Revere 51, Massachusetts.....	1951
	JEFFRESS, ROBERT M[ILLER], 1800 Monument Ave., Richmond 20, Virginia	1949
	JEHL, JOZEPH R[BIEHER], JR., 385 Grove St., Clifton, New Jersey.....	1952
	JENKINS, ALLSTON, 1500 Walnut St., Philadelphia 2, Pennsylvania.....	1952
	JENKINS, JAMES H[OBART], School of Forestry, University of Georgia, Athens, Georgia.....	1941
	JENKINS, LLOYD [SMITH], Davis Hill Rd., Paxton, Massachusetts.....	1932
L	JENKINS, DR. W[ILLIAM] J[ONES], P. O. Box 7, Olanta, South Carolina (1949)	1951
	JENKS, RANDOLPH, 2146 E. 4th St., Tucson, Arizona.....	1928
	JENNER, WILLIAM A[LEXANDER], 3426 78th Pl., S. E., Washington 28, D. C.	1932
	JENNINGS, WILLIAM S[ELDEN], Box 134, Harlingen, Texas.....	1949
	JENSEN, G[RANT] HORTIN, P. O. Box 603, Brigham City, Utah.....	1948
L	JETER, HORACE HEARNE, 4534 Fairfield Ave., Shreveport 55, Louisiana..	1946
F	JEWETT, STANLEY G[ORDON], 1404 S. E. Bidwell St., Portland 2, Oregon (1906)	1940
L	JOHNSON, CHARLES ALFRED, c/o Colorado Museum of Natural History, Denver, Colorado.....	1927
	JOHNSON, DANIEL P[AIGE], Cape Cod Council, Inc., 147 Winter St., Hyannis, Massachusetts.....	1951
	JOHNSON, DONALD H., 818 N. Garnsey, Santa Ana, California.....	1953
	JOHNSON, ERNEST H[ILDING], 34 Wood St., Woodville, Massachusetts....	1952
	JOHNSON, H[AROLD] V[ICTOR], 927 W. Broadway, Eugene, Oregon.....	1947
	JOHNSON, HARRIS E[LMER], R. R. No. 1, Warren, Pennsylvania.....	1949
	JOHNSON, MRS. HERBERT R[AY], 137 Engle St., Tenafly, New Jersey....	1950
	JOHNSON, H[UGH] P[HILIP] H[EWITT], Knutsford, Oak End Way, West Byfleet, Surrey, England.....	1950
	JOHNSON, JOHN C[HRISTOPHER], JR., Department of Zoology, University of Oklahoma, Norman, Oklahoma.....	1953

	JOHNSON, JOHN O., 112 Seventh St., S. E., Watertown, South Dakota	1952
L	JOHNSON, DR. MURRAY L[EATHERS], 3810 N. 35th St., Tacoma 7, Wash- ington	1935
	JOHNSON, NEW KEITH, 624 Lake St., Reno, Nevada	1953
	JOHNSON, PERRY F[RANK], 670 Bell Ave., Elyria, Ohio	1937
	JOHNSON, RAYMOND EDGAR, Lands and Surveys Department, 31 St. Vin- cent Street, Port of Spain, Trinidad, British West Indies	1945
M	JOHNSON, DR. R[OBERT] A[NTHONY], 98 East St., Oneonta, New York (1930)	1946
	JOHNSTON, DAVID WARE, Museum of Vertebrate Zoology, Berkeley 4, California	1947
	JOHNSTON, IRMA K., Box 206, Huntington, New York	1949
	JOHNSTON, RICHARD F[OURNESS], Museum of Vertebrate Zoology, Berkeley 4, California	1951
	JOHNSTON, W[ARREN] F[REDERICK], 634 Goulding St., Winnipeg, Mani- toba, Canada	1952
	JONES, DUVAL A[LBERT], 8227 Philadelphia Rd., Baltimore 6, Maryland	1952
	JONES, F[RED] M[INSON], Box 1864, Williamsburg, Virginia	1931
	JONES, DR. GORDON, W[ILLIS], Ellwood Farms, Parker, Virginia	1933
	JONES, HAROLD CHARLES, Box 61, East Carolina College, Greenville, North Carolina	1946
	JONES, J. LEWIS, 859 Linden Ave., Shreveport, Louisiana	1952
	JONES, JOHN C[OURTS], Wildlife Research Center, 5810 Namakagan Rd., Washington 16, D. C.	1930
	JONES, JOHN PAUL, 2715—50th St., Des Moines 10, Iowa	1948
	JONES, MARLIN CHARLES, Box 73, Rupert, Idaho	1953
	JONES, S[OLOMON] PAUL, 509 West Ave., North, Waukesha, Wisconsin	1920
L	JOOST, DR. ARTHUR MARTIN, JR., Bucksport, Maine	1942
	JOFSON, HARRY G[ORGAS] M[ICHENER], Bridgewater College, Bridgewater, Virginia	1949
	JORAE, IRENE F., Central Michigan College of Education, Mt. Pleasant, Michigan	1947
	JOSELYN, GEORGE BLAIR, Randolph, Nebraska	1953
	JOSLIN, CHARLES H[ANKS], P. O. Box 1046, Port Orchard, Washington	1949
	JOYNER, J[OHN] W[ILLIAM] E[DWIN], 1504 Lindy Ave., Rocky Mount, North Carolina	1947
	JUBON, JOHN M[ATHEW], P. O. Box 16, East Millstone, New Jersey	1952
	JUDD, ROBERT S., 75 Old Farm Rd., New Haven, Connecticut	1948
	JUNG, CLARENCE S[CHRAM], 6383 North Port Washington Rd., Milwaukee 11, Wisconsin	1921
	JURICA, REV. EDMUND, St. Procopius College, Lisle, Illinois	1946
	JUSTIN, REV. BROTHER, M. s. g., 1655 Bld. Gouin East, Montreal 12, Quebec, Canada	1951
	KAERNE, WILLIAM H[AROLD], P. O. Box 176, Winnipeg, Manitoba, Canada	1949
	KAHL, [MARVIN] PHILIP, JR., 122 E. 47th St., Indianapolis, Indiana	1952
	KAIMAN, BERNARD D[AVID], 814 Salzedo St., Coral Gables, Florida	1950
F	KALMBACH, E[DWIN] R[ICHARD], 2654 Forest St., Denver, Colorado . (1910)	1927
	KASE, JOHN C[CHARLES], 501 Chestnut St., Mifflinburg, Pennsylvania	1949
	KASPAR, JOHN L[OREN], 392—23rd St., Oshkosh, Wisconsin	1948
	KAUFMAN, KATHERINE, Freeman, South Dakota	1952

	KEATING, DR. F[RANCIS] RAYMOND, JR., 620 Tenth Ave., S. W., Rochester, Minnesota	1941
HL	KEAYS, JAMES EDWARD, 328 St. George St., London, Ontario, Canada . .	1899
	KEELER, JAMES E., 3576 Georgetown Dr., Montgomery, Alabama	1952
	KEETON, LUTHER F., 80 Eastland Drive, Memphis, Tennessee	1945
	KEIM, FRANK T., 196 Divadale Drive, Leaside, Ontario, Canada	1952
	KEITH, LLOYD BURROWS, 9306 89th St., Edmonton, Alberta, Canada . . .	1953
	KELLER, RICHARD T., 717 S. 16th St., St. Joseph 36, Missouri	1947
	KELLEY, MRS. ELIZ MABEL, 79 Tilden Ave., Newport, Rhode Island . . .	1951
	KELLEY, NEIL T[HOMAS], 13137 Balfour Rd., Huntington Woods, Michigan	1951
	KELLOGG, JULIET RICHARDSON, [MRS. WATERS], 19 Oneida St., Rye, New York	1937
M	KELLOGG, DR. [PETER] PAUL, 115 Dearborn Pl., Ithaca, New York . (1929)	1939
	KELLY, ALFRED W[ILLIAM] B[UCHANAN], 2177 Lincoln Ave., Apt. 12A, Montreal, Quebec, Canada	1951
	KELLY, DR. JOAN M[ORTON], 352 Nautilus St., La Jolla, California	1952
LM	KELLY, JUNEA W[ANGEMAN] [MRS. GEORGE EARLE], 1311 Grand St., Alameda, California (1929)	1949
	KELLY, VIRGIL [FRANKLIN], JR., 212 Highland Ave., Fayetteville, North Carolina	1949
	KELSO, LEON [HUGH], 1370 Taylor St., N. W., Washington, D. C.	1929
	KEMNITZER, ALLEN E[DWARD], 969 Five Mile Line Rd., Webster, New York	1949
	KEMSIES, EMERSON, 102 Farragut Rd., Greenhills 18, Ohio	1949
	KENAGA, CLARE B[URTON], 201-B Hickory Lane, East Lansing, Michigan	1952
	KENAGA, EUGENE E., 1629 Isabella Rd., Rt. 5, Midland, Michigan	1949
LF	KENDEIGH, DR. S. CHARLES, Vivarium Bldg., University of Illinois, Champaign, Illinois (1923)	1943
	KENT, LAWRENCE C., 1896 Cowden Ave., Memphis 4, Tennessee	1946
	KENYON, G[EOERGE] PAUL, Box 172, 260 Crittenden Blvd., Rochester 20, New York	1952
	KENYON, JAMES A[NTHONY], 417 Third Ave., Lewiston, Idaho	1946
	KENYON, KARL WALTON, 2725 Montlake Blvd., Seattle 2, Washington . .	1944
	KERSTING, CECIL C[ARL], Socony-Vacuum of Venezuela, Apartado 246, Caracas, Venezuela	1949
	KESNER, ROBERT T[AYLOR], 1 River Glen, Hastings-on-Hudson, New York	1952
	KESSEL, DR. BRINA, Department of Biological Sciences, University of Alaska, College, Alaska	1948
	KEY, MISS KATHLEEN, Department of Biology, Louisiana State College, Pineville, Louisiana	1953
	KIEFER, BARRY I[RWIN], 866 Broadway, Bayonne, New Jersey	1953
	KIERAN, JOHN, 1360 Midland Ave., Bronxville 8, New York	1947
	KILDOW, T[HOMAS MONROE], Box 520, Tiffin, Ohio	1942
HL	KILGORE, WILLIAM, 3400 List Place, Minneapolis, Minnesota	1906
	KILHAM, DR. LAWRENCE, 8302 Garfield St., Bethesda, Maryland	1952
	KILLPACK, MERLIN L[EO], Union High School, Roosevelt, Utah	1949
	KIMBALL, MARY B[OYDSTON], 809 Main St., Sistersville, West Virginia .	1952
	KINCAID, EDGAR B[RYAN], JR., 702 Park Place, Austin, Texas	1953
	KINCH, CAROL M., 906 N. Grant St., Lexington, Nebraska	1952
	KING, JAMES R[OGER], Department of Zoology, State College of Washington, Pullman, Washington	1952

- KINGERY, HUGH E[PFICH], 2350 Colorado Blvd., Denver 7, Colorado.... 1949
- KINNEY, MRS. WARREN, Box 9, Morristown, New Jersey..... 1951
- KINGSBURY, DR. MARGUERITE, Sunmount, New York..... 1950
- KINSEY, ERIC CAMPBELL, 155 Bothin Rd., P. O. Box 76, Manor, Marin County, California..... 1936
- KINSLEY, C[HARLES] H[ARWOOD], Room 1, Agriculture Bldg., Embarcadero at Mission St., San Francisco 5, California..... 1949
- L KIRKHAM, STANTON D[AVIS], 152 Howell St., Canandaigua, New York.... 1910
- KIRKPATRICK, DR. J[OYCE] T[AYLOR], 224½ Main St., Slater, Missouri.... 1948
- KITCHEN, HERMAN W., 502 W. 122nd St., New York 27, New York.... 1952
- KLABUNDE, WALTER, Creek Rd. Ext., R. F. D. 1, Lewiston, New York.... 1949
- KLEEN, RICHARD L., Box 122, St. Michaels, Maryland..... 1953
- KLEIN, RICHARD P., 23108 E. Groveland Rd., Cleveland 21, Ohio..... 1947
- KLEPPER, WARD, 169 Morris Ave., Buffalo 14, New York..... 1940
- KLONICK, ALLAN S., 828 Grosvenor Rd., Rochester 18, New York..... 1938
- KLOPF, JOHN, Vinemont, Reinholds, Pennsylvania..... 1953
- KLOPPENBORG, ALBERT BLAINE, 901 E. 7th St., N., Newton, Iowa..... 1953
- KNAPP, W[ILFRID] A[RTHUR], 363 Blythwood Rd., Toronto 12, Ontario, Canada..... 1950
- KNICKMEYER, ROBERT R., 8627 North Ave., St. Louis 21, Missouri..... 1946
- KNIGHT, HOWARD, Weber College, Ogden, Utah..... 1949
- KNODER, CECIL EUGENE, Rt. 5, Athens, Ohio..... 1952
- KNORR, OWEN A[LBERT], Rt. 1, Box 53, Boulder, Colorado..... 1949
- KNOX, MISS MARGARET R[ICHARDSON], 4030 Park Ave., Indianapolis 5, Indiana..... 1941
- KNUDSEN, MR. HOLGER, 507 Parkside Dr., Toronto 3, Ontario..... 1953
- KOBAYASHI, KEISUKE, No. 2, 1-Chome, Shinohara-Kitamachi, Nada-Ku, Kobe (Rokko), Japan..... 1951
- KOCH, PETER, Big Bend National Park, Texas..... 1940
- KOFORD, DR. CARL B., Museum of Vertebrate Zoology, Berkeley 4, California..... 1942
- KOLB, C[HARLES] HAVEN, 5915 Meadow Rd., Baltimore 6, Maryland.... 1937
- KORTHEUER, H[ERMANN] FRANCIS, R. R. No. 2, Falls Village, Connecticut 1950
- LM KORTRIGHT, FRANCIS HERBERT, 633 Eastern Ave., Toronto, Ontario, Canada..... (1942) 1945
- KOSMOPOULOS, LESLIE WALKER, 2024 Garden St., Santa Barbara, California..... 1948
- KOSSACK, CHARLES W., 715 S. Division St., Barrington, Illinois..... 1946
- KOZICKY, EDWARD LOUIS, Wildlife Research Unit, Department of Zoology and Entomology, Iowa State College, Ames, Iowa..... 1947
- KRAMER, QUINTIN, 872 Ledger Bldg., Philadelphia 6, Pennsylvania..... 1946
- KRAUS, DR. DOUGLAS L[AWRENCE], Department of Chemistry, University of Rhode Island, Kingston, Rhode Island..... 1940
- KREBS, R[OBERT] W[ILLIAM], 1272 Alfred St., Baton Rouge, Louisiana.. 1952
- KREHBIEL, A[DOLF] J[ACOB], 221 Jefferson St., Clayton, New Mexico.... 1949
- KRIEBEL, MAHLON E., Garfield, Washington..... 1953
- KRUG, HOWARD H[ENRY], Chesley, Ontario, Canada..... 1932
- KRUMM, KENNETH, Lacreek National Wildlife Refuge, Martin, South Dakota..... 1938
- M KUBICHEK, WESLEY FRANK, Fish and Wildlife Service, Department of the Interior, Washington, D. C..... (1919) 1939

	KUENZLER, EDWARD JULIAN, JR., Department of Biology, University of Georgia, Athens, Georgia	1953
	KUNKLE, DONALD [EDWARD], 29 Edgewood Rd., Bloomfield, New Jersey . .	1950
	KUSCHKE, ARTHUR WYNNDHAM, JR., 522 Kingston Rd., Oreland, Pennsylvania	1935
	KUSER, MRS. CYNTHIA D., Faircourt, Bernardsville, New Jersey	1931
	KYLLINGSTAD, HENRY C[ARREL], Arab States Fundamental Education Center, Sirs-el-Layyan, Menoufia, Egypt	1947
	LABELLE, GEORGE A., Cocagne, New Brunswick, Canada	1939
	LACY, MRS. TRAMMELL C[ALHOUN], Drawer 2, North Street Station, Nacogdoches, Texas	1953
	LAFITTE, MRS. OLNEY J., Box 783, Mansfield, Louisiana	1953
	LAGERLOF, SVEN CHRISTIAN, Tingshuset, Boden, Sweden	1952
	LAIDLAW, ANNE, 32 North Sherbourne St., Toronto, Ontario, Canada . . .	1953
M	LAING, HAMILTON MACK, Comox P. O., British Columbia (1917)	1941
	LAKE, GEORGE D., Audreys, Burghfield Common, Reading, England . . .	1941
	LAMB, CHESTER C., Escobedo 69, Irapuato, Guanajuato, Mexico	1943
	LAMM, DONALD W., American Consulate General, Box 783, Lourenco Marques, Mozambique, Africa	1941
	LAMPE, M[ONTGOMERY] L[EWIS], 21 W. Roseville Rd., Lancaster, Pennsylvania	1949
	LANCASTER, DOUGLAS A[LAN], 1332 5th St. N., Fargo, North Dakota	1949
	LANCELEY, W. H., 23 Elmdale Avenue, Ottawa, Ontario, Canada	1926
	LANDRY, PETER, R. R. 2, Port Hope, Ontario, Canada	1953
	LANG, EDWARD B., Brushy Hill Rd., Newton, Connecticut	1943
	LANGELIER, MRS. GUS[TAVE] [ADOLPHE], 95 de l'Entente Boulevard, Quebec, Canada	1940
	LANGFORD, DR. ARTHUR N., Bishop's University, Lennoxville, Quebec, Canada	1952
	LANGSTROTH, JAMES H[EIDEL], Box 1130, Silver City, New Mexico	1924
	LANNING, ROBERT GEORGE, 257 Coleman St., Belleville, Ontario, Canada	1942
	LANYON, WESLEY E., Department of Zoology, University of Wisconsin, Madison, Wisconsin	1947
	LAPHAM, VIRGIL TEXAS, Delta National Wildlife Refuge, Pilottown, Louisiana	1946
	LAPORTE, DR. PAUL C., Box F20, Edmundston, New Brunswick, Canada	1952
	LARKIN, HARRY HUBBARD, 189 Van Rensselaer St., Buffalo 10, New York	1949
	LARRABEE, AUSTIN P[ARK], 534—99th Ave., N. E., Bellevue, Washington	1918
	LARRISON, EARL JUNIOR, Department of Biological Science, University of Idaho, Moscow, Idaho	1946
LM	LASKEY, AMELIA R. [MRS. F. C.], 1521 Graybar Lane, Nashville, Tennessee (1933)	1951
	LATHAM, ROY, Orient, Long Island, New York	1916
	LATHROP, EARL W., Box 81, College Heights, Alberta, Canada	1952
	LATTA, KATHARINE, 430 W. Moreland Ave., Philadelphia 18, Pennsylvania	1949
	LATTA, WILLIAM C[ARL], Institute for Fisheries Research, University Museum Annex, Ann Arbor, Michigan	1948
	LATVEN, DR. K. CHARLES, 3224 N. Abingdon St., Arlington, Virginia . . .	1946
	LAUGHLIN, ROBERT M[OODY], Drake's Corner Rd., Princeton, New Jersey	1951
	LAW, CECIL E[RNEST], D. R. N. L. MPO 1015, Fort Churchill, Manitoba, Canada	1953

	LAWRENCE, A[LEXANDER] G[EORGE], 104 Sherburn, Winnipeg, Manitoba, Canada.....	1920
	LAWRENCE, DR. JOHN M., 2203 Easy St., Rt. 1, Pullman, Washington..	1952
	LAWRENCE, MRS. LOUISE DE KIRILINE, Rutherglen, Ontario, Canada....	1946
	LAWSON, RALPH, 5 Carpenter St., Salem, Massachusetts.....	1917
	LAYCOCK, JOHN TAYLOR, 392 Lakeshore Dr., Baton Rouge, Louisiana....	1953
	LAYCOCK, MRS. ROBERT C. [SUSAN B.], Crosswicks, New Jersey.....	1951
	LEA, DR. ROBERT B[ASHFORD], 1640 Dufossat St., New Orleans 15, Louisiana.....	1941
	LEACH, AGNES [MRS. HENRY G.], 1021 Park Ave., New York 28, New York	1949
L	LEARING, GEO[RGE] RICHMOND, 168 Beacon St., Boston, Massachusetts... 1924	
	LEAVITT, BENJAMIN B., Department of Biology, University of Florida, Gainesville, Florida.....	1947
	LEAYCRAFT, MRS. EDGAR C. [HELEN B.], Hills Point Rd., Westport, Connecticut.....	1950
	LEE, GEORGE R[EYNOLDS], 514 Valencia Dr., N. E., Albuquerque, New Mexico.....	1949
	LEEDY, DR. DANIEL L[ONEY], Fish and Wildlife Service, Department of Interior Bldg., Room 2254, Washington 25, D. C.....	1937
	LEES-SMITH, D[EREK] T[HAYER], Broadmoor Hospital, Crowthorne, Berkshire, England.....	1951
	LEFEVRE, EUGENE ALLEN, 2300 E. Co. Rd. E., White Bear 10, Minnesota.....	1953
	LEFEVRE, RUFUS H[ARRY], 228 W. Broad St., Tamaqua, Pennsylvania... 1927	
	LEGG, MRS. DOROTHY C[OGAN], 1823 Irving Ave. S., Minneapolis 5, Minnesota.....	1950
	LEHMAN, JOHN R[OBERT], 129 Wilson Dr., Pittsburgh 35, Pennsylvania.. 1949	
	LEISTER, CLAUDE W[ILLARD], Pocono Wild Animal Farm, R. R. 1, Stroudsburg, Pennsylvania.....	1916
	LEMIEUX, LOUIS, Apt. 46, 144 Grande Allee, Quebec, P. Q., Canada.....	1949
	LEMMON, ROBERT S[TELL], Olmstead Hill, Wilton, Connecticut.....	1950
	LENGEMANN, MARTHA A., 360 Cedar St., Imlay City, Michigan.....	1949
	LENHERT, P[AUL] GALEN, 103 E. George St., Arcanum, Ohio.....	1952
	LENSINK, CALVIN J[AY], 4236 Abbott Ave. No., Minneapolis 22, Minnesota 1951	
M	LEOPOLD, DR. A[LDO] STARKER, Museum of Vertebrate Zoology, Berkeley 4, California.....	(1940) 1946
	LESPERANCE, THOMAS A[NDREW], 75 N. Sable St., Keeseville, New York.. 1951	
	LESTER, JOSEPH E[VANS], R. R. 1, Aliquippa, Pennsylvania.....	1952
	LEUPOLD, NORBERT H., 3555 S. E. Insley, Portland 2, Oregon.....	1946
	LEVI, DR. HERBERT W., University of Wisconsin, Extension Center, Wasau, Wisconsin.....	1952
	LEWIS, MRS. ALICE HAY, 212 N. Wilton Pl., Los Angeles 4, California.... 1952	
	LEWIS, C. BERNARD, Science Museum, Institute of Jamaica, Kingston, Jamaica, British West Indies.....	1947
LF	LEWIS, DR. HARRISON F., West Middle Sable, Shelburne County, Nova Scotia, Canada.....	(1912) 1942
	LEWIS, JOSEPH S., 86 S. Main St., Spring Grove, Pennsylvania.....	1953
	LEWIS, WILLIAM O[WEN], Ivy, Virginia.....	1951
	LIDICKER, WILLIAM [ZANDER], JR., 116-17 Union Turnpike, Forest Hills, Long Island, New York.....	1950

	LIEBE, HAROLD J[OHN], 500 Prospect Ave., Hartford 5, Connecticut . . .	1943
	LIEFTINCK, JOHN E[DMUND], c/o Goodyear S. A., Luxembourg City, Luxembourg	1949
	LIEN, BOYD M[ARTEN], 5148—29 Ave. S., Minneapolis 17, Minnesota . . .	1951
	LIGAS, FRANK J[OHN], R. No. 3, Box 133, Barberton, Ohio	1951
M	LIGON, J[AMES] STOKLEY, Box 950, Carlsbad, New Mexico (1912)	1927
	LILLY, MRS. A. W. [ELSIE P.], 6530 Kenwood Ave., Chicago 37, Illinois . .	1950
	LINCOLN, EDWARD PALMER, Box 9594, University of Arizona, Tucson, Arizona	1953
LF	LINCOLN, FREDERICK C., Fish and Wildlife Service, Department of the Interior, Washington 25, D. C. (1910)	1934
	LINDER, RAYMOND LEWIS, 214 E. Huskerville, Lincoln, Nebraska	1953
	LINFORD, JAMES B., 538 Fairbanks Ave., Oakland 10, California	1952
F	LINSDALE, DR. JEAN M., Jamesburg Route, Carmel Valley, California (1922)	1945
	LINTEREUR, LEROY J., Box 57, R. F. D. No. 3, Burlington, Wisconsin . .	1952
	LINTON, M[ORRIS] ALBERT, 315 E. Oak Ave., Moorestown, New Jersey . . .	1928
	LIPP, FRANK, 1519 Greenville Highway, Hendersonville, North Carolina . .	1948
	LIVERMORE, JOHN WALTON, 135 E. 54th St., Apt. 11B, New York 22, New York	1947
	LLOYD, CLARK K[ORNER], 11 N. Elm St., Oxford, Ohio	1949
LF	LLOYD, HOYES, 582 Mariposa Ave., Ottawa, Ontario, Canada . . . (1916)	1932
	LLOYD, MRS. WILMOT, 582 Mariposa Ave., Rockcliffe Park, Ottawa, Ontario, Canada	1925
	LOCKWOOD, DR. ROBERT MINTURN, Veterans Administration Hospital, McKinney, Texas	1947
	LOETSCHER, DR. FREDERICK WM., JR., 507 W. 3rd St., Danville, Kentucky	1938
	LONG, MRS. ALBERT E. [ROBERTA J.], 45 Clarendon Ave., San Francisco 14, California	1952
	LONG, BETTY HOLMES [MRS. HARRY], Green Brier Rd., Westport, Connecticut	1949
	LONG, RALPH HAMILTON, JR., 1734 Kline Rd., Ithaca, New York	1952
	LONGFIELD, MRS. CARL [TESSIE CHANDON], Sunrise H'way and Irish Lane, East Islip, Long Island, New York	1949
	LONGLEY, HARRY [EDWARD], 7241 LaSalle Blvd., Verdun, Quebec, Canada	1953
	LONGLEY, WILLIAM H[OWARD], P. O. Box 362, Kasson, Minnesota	1943
M	LONGSTREET, ROBERT JAMES, Rt. 2, Box 65C, DeLand, Florida . . . (1923)	1949
	LØPPENTHIN, BERNT, University Library, Dansk Ornithologisk Forening, 2 Dept.-Nr. Allé 49, Copenhagen, Denmark	1928
	LORD, DR. FREDERIC P[OMEROY], 39 College St., Hanover, New Hampshire	1922
	LORING, GEORGE G[ARDNER], Bridge St., Manchester, Massachusetts . . .	1949
	LORY, MRS WILLIAM [HAZEL BRADLEY], 330 North Austin, Oak Park, Illinois	1947
	LOSE, GEORGE WILLIAM, 3806 Blackburn Rd., Avondale, Canton, Ohio . .	1953
	LOUKASHKIN, A. S., 1210—23rd Ave., San Francisco, California	1941
	LOVELL, DR. HARVEY B[ULFINCH], 3011 Meade Ave., Louisville 4, Kentucky	1943
	LOVETT, MRS. ROBERT A., "Pleasance," Locust Valley, Long Island, New York	1953
	LOVIN, CHARLES E., 455 W. Harper Ave., Lenoir, North Carolina	1952

LM	LOW, SETH H[ASKELL], Rt. 2, Gaithersburg, Maryland.....	(1930)	1949
	LOWE, GEORGE EDWARD, 9001 S. Cicero Ave., Oak Lawn, Illinois.....		1953
F	LOWERY, DR. GEORGE HINES, JR., Museum of Zoology, Louisiana State University, Baton Rouge, Louisiana.....	(1934)	1949
L	LOWNES, ALBERT E., P. O. Box 1531, Providence, Rhode Island....		1924
	LOWTHER, MALCOLM A., 22599 Kane Ave., Detroit 23, Michigan.....		1953
	LUDWIG, CHARLES, Crawford County Institute, Saegerstown, Pennsylvania.....		1949
	LUDWIG, CLAUDE C., 279 Durand St., East Lansing, Michigan.....		1947
	LUDWIG, DR. F[REDERICK] E[DWIN], 2864 Military St., Port Huron, Michigan.....		1949
	LUESHEN, MRS. JOHN, Wisner, Nebraska.....		1952
	LUKENS, WILLIAM WEAVER, JR., Upper Gulph Rd., Radnor, Pennsylvania		1946
	LUMSDEN, H. G., Tweed, Ontario, Canada.....		1951
	LUNDEVALL, C[ARL] F[REDRIK], Östergötlands Dagblad, Norrköping, Sweden.....		1951
	LUNK, WILLIAM A., 2849 Whitewood, Pittsfield Village, Ann Arbor, Michigan.....		1938
	LUNN, WILLIAM HERBERT, Hillier, Ontario, Canada.....		1948
	LUPIENT, MRS. MARY LOUISE, 212 S. E. Bedford St., Minneapolis, Minnesota.....		1946
	LUTHY, FERD[INAND], JR., 306 N. Institute, Peoria, Illinois.....		1937
	LYONS, EUGENE ALBERT, 400 East Chapel, Pocatello, Idaho.....		1953
	MACCRACKEN, MRS. HELEN DOLMAN, Box 1204, Estes Park, Colorado..		1931
	MACK, H. G., c/o Gilson Manufacturing Company, Guelph, Ontario, Canada.....		1933
	MACKAY, R[ONALD] H[UGH], Department of Zoology, University of British Columbia, Vancouver, British Columbia, Canada.....		1950
	MACKENZIE, DR. LOCKE L., 829 Park Ave., New York 21, New York....		1946
	MACKIEWICZ, JOHN STANLEY, 50 Oak St., Waterbury 4, Connecticut....		1952
	MACKWORTH-PRAED, C[YRIL] W[INTHROP], Castletop, Burley, near Ringwood, Hants, England.....		1928
	MACLAY, MARK W[ALTON], 20 Exchange Pl., New York, New York.....		1905
	MACLEAN, DOROTHY W[ILLIAMS], 112 East Ave., Norwalk, Connecticut..		1931
	MACMILLAN, MRS. JEANETTE COURTE, 3330 Eastside Ave., Cincinnati 8, Ohio.....		1952
	MACMULLAN, R[ALPH] A[USTIN], Houghton Lake Wildlife Experiment Station, The Heights, Michigan.....		1938
	MACPHERSON, ANDREW H[ALL], 16 Rupert St., Ottawa, Ontario, Canada		1951
	MADISON, SAMUEL R., 18 Oakwood Place, Delmar, New York.....		1952
	MADTES, GEORGE R., 337 E. Ravenwood Ave., Youngstown 5, Ohio.....		1949
	MAGANN, JOSEPH WILBUR, 3711 N. McKinley, Oklahoma City 6, Oklahoma.....		1953
	MAGNER, J[OHN] MARSHALL, 516 Bacon Ave., Webster Groves 19, Missouri		1948
	MAGNEY, GERTRUDE BLACKWELL, [MRS. G. R.], 5329 Washburn Ave., So., Minneapolis 10, Minnesota.....		1950
	MAHER, WILLIAM JOSEPH, 1831 E. 15th St., Brooklyn 29, New York....		1953
	MAINSTER, RAYMOND WAITE, 3716 Croydon Rd., Baltimore 7, Maryland		1953
	MAIR, WILLIAM WINSTON, Canadian Wildlife Service, Department of Resources and Development, Ottawa, Ontario, Canada.....		1953

	MALL, ROLF E[MIL], 2306 S. Harcourt Ave., Los Angeles 16, California . . .	1952
	MALLETTE, ROBERT D., 914 Taber Ave., Yuba City, California	1947
	MALOOLEY, VULA STARN, R. R. 6, Terre Haute, Indiana	1947
	MANDELL, PAUL I[RVING], Burton Judson Hall, University of Chicago, 1005 E. 60th St., Chicago, Illinois	1952
	MANGELS, FREDERICK P[AUL], Hawk Mountain Sanctuary, Kempton R-2, Pennsylvania	1953
	MANNERS, EDWARD R[OBERT], 216 New Broadway, Brooklawn, New Jersey	1941
M	MANNING, THOMAS H[ENRY], 37 Linden Terrace, Ottawa, Ontario, Canada (1937)	1949
	MANNIX, MRS. LUCILLE, 11424 Cedar Rd., Apt. E 2, Cleveland, Ohio . . .	1947
	MANSFIELD, MRS. LLOYD [LOUISE MINER], 44 Wingate Ave., Buffalo 16, New York	1949
	MARBLE, RICHARD M[ERRILL], Woodstock, Vermont	1907
	MARCUE, DOROTHY [JEAN], R. R. 2, LeMars, Iowa	1952
	MARGOLIN, A[BRAHAM] S[TANLEY], Phoenix College Biology Department, Phoenix, Arizona	1949
	MARIONNEAUX, ALICE S[TUNTZ] [MRS. BELFORT V.], Central Romana Corp., La Romana, Dominican Republic	1941
	MARK, CYRUS, 270 Birch St., Winnetka, Illinois	1952
	MARK, JAMES, Moose Factory, Moosonee, Ontario, Canada	1953
	MARKE, JACK L[ORAN], Rt. 5, Box 780, Portland 1, Oregon	1949
	MARSH, MARY F., 286 Queen St. W., Guelph, Ontario, Canada	1952
	MARSHALL, DAVID B., Box 415, Fallon, Nevada	1942
M	MARSHALL, DR. JOE T., JR., Department of Zoology, University of Arizona, Tucson, Arizona (1941)	1948
	MARSHALL, PERRY R[AYMOND] F[OSTER], P. O. Box 1199, Santa Barbara, California	1952
	MARSHALL, RAYMOND O[SCAR], 256 Ridge St., Leetonia, Ohio	1944
	MARSHALL, TERRELL, 372 Skyline Dr., Park Hill, North Little Rock, Arkansas	1944
M	MARSHALL, DR. WILLIAM HAMPTON, 300 Coffey Hall, University of Min- nesota, St. Paul 1, Minnesota (1935)	1950
	MARTIN, FRANK R., Foxholm, North Dakota	1953
	MARTIN, PATRICK WALDYVE, 90 Valleyview, Kamloops, British Columbia, Canada	1948
	MARTIN, PAUL, Box 532, West Chester, Pennsylvania	1945
	MARTOLA, H. R., 140 Wellington St., Ottawa, Ontario, Canada	1953
	MARVEL, DR. CARL S[HIPP], 404 W. Pennsylvania Ave., Urbana, Illinois . .	1951
	MARVIN, PHILIP H., 1310 N. 11th St., Manhattan, Kansas	1952
M	MASLOWSKI, KARL H[ERBERT], 1034 Maycliff Pl., Cincinnati, Ohio. (1935)	1951
	MASON, C[HARLES] N[ATHAN], 6432 31st St., N. W., Washington 15, D. C.	1948
M	MASON, C[HARLES] RUSSELL, 1376 Walnut St., Newton Highlands, Massa- chusetts (1936)	1947
	MASON, EDWIN A., Arcadia Wildlife Sanctuary, Easthampton, Massachu- setts	1943
	MASON, ESTHER E[LIZABETH], 2523 Montgomery St., Louisville 12, Kentucky	1952
	MASON, ROBERT F[RENCH], JR., Rt. No. 1, Apopka, Florida	1929

	MASTERS, MRS. G. K. [KATHERINE], 444 Russell Hill Rd., Toronto, Ontario, Canada	1953
	MATHER, RICHARD H., 5583 Queen Mary Rd., Hampstead 29, Montreal, Quebec, Canada	1947
	MATHEWS, DR. FRANK P[ELLETTREAU], Rt. 6, Box 308, Olympia, Washington	1923
L	MATHIEU, J. A., Rainy Lake, Ontario, Canada	1952
	MATOUSEK, FRANT, Halenarska 11, Trnava, Czechoslovakia	1953
	MATTHEWS, WILLIAM HENRY, JR., 2 Berkeley Ave., Apt. 2F, Yonkers 5, New York	1948
	MATTOCKS, JAMES [RICHARDSON], Professional Bldg., High Point, North Carolina	1949
	MAY, DAVID D[OUGLAS], 1004 W. Nevada, Urbana, Illinois	1952
	MAY, FRANKLIN H[INSDELL], 7401 Baltimore Ave., Takoma Park 2, Maryland	1937
	MAY, FRED H[AMILTON], 211 Beall St., Lenoir, North Carolina	1952
M	MAY, DR. JOHN B[ICHARD], 325 S. Main St., Cohasset, Massachusetts (1916)	1930
	MAYER, CHARLES C[USHING] B[AILEY], R. F. D. 1, Colrain, Massachusetts	1949
	MAYFIELD, DR. GEORGE R[ADFORD], Calhoun Hall, Vanderbilt Campus, Nashville, Tennessee	1917
M	MAYFIELD, HAROLD FORD, 2557 Portsmouth Ave., Toledo 13, Ohio . (1940)	1950
	MAYHEW, WILBUR WALDO, 1002 Lake St., Apt. 2, Venice, California . . .	1947
	MAYNARD, DR. HERBERT E[RNEST], 2 Elmwood Ave., Winchester, Massachusetts	1921
LF	MAYR, DR. ERNST, Museum of Comparative Zoology, Harvard University, Cambridge 38, Massachusetts (1929)	1937
L	MAZZEO, ROSARIO, 114 The Fenway, Boston, Massachusetts	1943
FE	MCATEE, WALDO LEE, 3 Davie Circle, Chapel Hill, North Carolina . (1903)	1913
M	MCCABE, DR. ROBERT A., 424 University Farm Place, Madison 5, Wisconsin (1946)	1951
	MCCLEARY, RALPH, 33 Lake Promenade, Long Branch, Toronto 14, Ontario, Canada	1952
	MCCLUNG, ROBERT M[ARSHALL], New York Zoological Park, New York 60, New York	1949
	MCCLURE, H[OWE] ELLIOTT, 406 Med. Gen. Lab., APO 500, San Francisco, California	1942
	MCCLURE, J[OH]N F[RANCIS], 7050 N. Oatman Ave., Portland 17, Oregon	1951
	MCCONNELL, HARRY B[URNS], 142 E. Warren St., Cadiz, Ohio	1947
HL	MCCOOK, PHILIP JAMES, 25 East End Ave., New York 22, New York . . .	1895
	MCCORMICK-GOODHART, L[EANDER], "Bellapais," 610 E. Boulevard Dr., Alexandria, Virginia	1927
	MCCOY, MRS. STERLING L. [MARGUERITE W.], R. R. 1, Box 250, Elgin, Illinois	1952
	MCCUE, EARL N[EWLON], P. O. Box 104, Morgantown, West Virginia . . .	1949
	MCDONALD, DR. GEORGE V., Apple Hill, Ontario, Canada	1952
	MCDUGALL, MISS JANET, Box 372, Georgetown, Ontario, Canada	1952
	MCELROY, THOMAS P., JR., The Pequot-sepos Wildlife Sanctuary, Pequot-sepos Ave., Mystic, Connecticut	1947
	MCEINTEE, ELINOR G., [MRS. HOWARD G.], 490 Fairfield Ave., Ridgewood, New Jersey	1949

	McEWEN, E[AN] H., Aklavik, Northwest Territories	1952
	McFADYEN, ROSS, 1563 Washington, Denver 3, Colorado	1952
	McGAW, MRS. G. H[AMPTON] [ELIZABETH T(AYLOR)], 18 Beech St., Woodsville, New Hampshire	1949
	McGEEN, DR. DANIEL S., 707 Community National Bank Bldg., Pontiac, Michigan	1945
	McGOWAN, TERRY A[LLEN], 896 Glen Arden Way N. E., Atlanta, Georgia	1952
	McGRANAHAN, MARJORIE M., Box 838, Folsom, California	1952
	McILVAIN, JOHN F[OLWELL], 141 E. Maple Ave., Langhorne, Pennsyl- vania	1949
	McILWAINE, WILLIAM B[AIRD], JR., "Sysonby," R. R. 4, Petersburg, Virginia	1933
	McILWRAITH, T[HOMAS] F[ORSYTH], 30 Strathallan Blvd., Toronto 12, Ontario, Canada	1933
	McKAY, REG[INALD] R., P. O. Box 5312, Jacksonville 7, Florida	1949
	McKEEVER, MRS. KATHARINE R[YAN], P. O. Box 62, Water Mill, New York	1951
	McKINLEY, DANIEL LAWSON, Mountain Grove, Missouri	1952
	McKITTRICK, THOMAS HARRINGTON, 18 Pine St., c/o The Chase National Bank, New York 15, New York	1928
	McKNIGHT, EDWIN T[HOR], 5038 Park Pl., Washington 16, D. C.	1947
	McLAREN, IAN ALEXANDER, 4890 Mayfair Ave., Montreal 29, Quebec, Canada	1951
	McLAUGHLIN, FRANK WINNIFRED, 923 White Horse Pike, Apt. "B", Oaklyn, New Jersey	1947
	McLAUGHLIN, VINCENT P., JR., R. R. 2, Center Rd., Poland, Ohio	1938
	McLAURIN, MRS. MARY SHELBURNE, Box 392, Washington, North Carolina	1952
	McLEAN, DONALD D[UDLEY], 2455 Cottle Ave., San Jose 25, California	1930
	McLEOD, JOHN A[LLEN], JR., 113 E. Hendrix St., Greensboro, North Carolina	1950
	McMILLAN, EBEN, Cholame, California	1947
	McMILLAN, IAN I[RVING], Box 63, Shandon, California	1947
	McMILLAN, W[ILLIAM] G[ARRETT], Box 1447, Lubbock, Texas	1949
	McMILLAN, WILLIAM R[ENTON], 12701—12th Ave., N. W., Seattle 77, Washington	1938
	McNEESE, CHARLES H., 2916 Reveve, Houston 6, Texas	1953
	McQUARRIE, HAROLD JAMES, Gore Bay, Ontario, Canada	1952
	McQUATE, MISS NELDA JEAN, 374 Riverside Dr., Tiffin, Ohio	1953
	McRAE, CHARLES, Route 2, Austell, Georgia	1953
	MEACHAM, FRANK B., North Carolina State Museum, Raleigh, North Carolina	1947
	MEADE, DR. GORDON M[ONTGOMERY], Trudeau Sanatorium, Trudeau, New York	1936
M	MEANLEY, M. BROOKE, 4710 Keswick Rd., Baltimore, Maryland . (1935)	1952
L	MEDCALF, ROBERT, Apt. 102, 1431 S. W. Park Ave., Portland, Oregon	1943
	MEHNER, JOHN F[REDERICK], 1003 James St., Pittsburgh 34, Pennsyl- vania	1948
	MEIN, WM. WALLACE, III, 1308 Canada Road, Woodside, California	1952
	MEITZEN, LOGAN HERMAN, R. R. No. 2, Box 63, Anahuac, Texas	1953

	MEITZEN, DR. TRAVIS C., Box 308, Refugio, Texas	1942
	MELLINGER, ENOS OREN, Chincoteague Wildlife Refuge, Box 62, Chincoteague, Virginia	1940
	MENABONI, ATHOS, 1111 Cook Rd., R. 10, Atlanta, Georgia	1947
	MENABONI, MRS. SARA, 1111 Cook Rd., R. 10, Atlanta, Georgia	1947
M	MENDALL, HOWARD L[EWIS], 28 Pendleton St., South Brewer, Maine (1934)	1946
	MENEFEE, COLE, 2738 Hilltop Drive, Odessa, Texas	1953
	MENEFEE, EMORY, 1904 Barcelona Ave., Fort Myers, Florida	1950
L	MENG, HEINZ, 116 Miller St., Ithaca, New York (1944)	1950
M	MENDEL, ROBERT M., Museum of Natural History, University of Kansas, Lawrence, Kansas (1938)	1951
	MEREDITH, REX, 121 Monckton Ave., Quebec, Canada	1927
	MERRITT, JAMES K., 99 Battle Rd., Princeton, New Jersey	1942
	MERKEL, ROBERT S[YNDEY], 407 Ridge St., Charlottesville, Virginia	1953
	MERS, WM. H., 1659 Marlowe Ave., Cincinnati 24, Ohio	1951
	MESSENGER, AUBREY STEVEN, Powhatan, Virginia	1953
	METCALF, HOMER N[OBLE], Department of Horticulture, Montana State College, Bozeman, Montana	1946
	MEWALDT, LEONARD RICHARD, Department of Natural Sciences, San Jose State College, San Jose, California	1947
L	MEYER, MISS HELOISE, Lenox, Massachusetts	1913
	MEYER, DR. HENRY, 307 Spaulding Ave., Ripon, Wisconsin	1944
	MEYERRIECKS, ANDRES J[OSEPH], 28 W. 96th St., New York 25, New York	1948
	MICHENER, JOSEPHINE R. [MRS. HAROLD], 418 N. Hudson Ave., Pasadena 4, California	1950
	MICHENER, ROBERT B., 1116 Finkbine Park, Iowa City, Iowa	1951
	MICKEY, ARTHUR B., 1516 Rainbow Ave., Laramie, Wyoming	1936
	MIDDLETON, MRS. ARCHIE D., Brady, Nebraska	1952
	MIDDLETON, R[AYMOND] J[ONES], 131 N. Whitehall Rd., Norristown, Pennsylvania	1920
	MIDDLETON, W[ILLIAM] R[OBERT], 106 N. Lincoln Ave., Wenonah, New Jersey	1948
	MIGDALSKI, EDWARD C., Box 2025, Yale Station, Yale University, New Haven, Connecticut	1946
	MILES, M[ERRIAM] L[EE], Chamber of Commerce, Daytona Beach, Florida	1941
	MILLAR, ISABEL[LA] I[ZATT], 677 Merton St., Toronto 12, Ontario, Canada	1950
LF	MILLER, DR. ALDEN HOLMES, Museum of Vertebrate Zoology, Berkeley, California (1929)	1939
	MILLER, MRS. ALICE D., 1150 Brewer Rd., Leonard, Michigan	1949
	MILLER, MRS. CLARENCE H[BATH], 1354 Herschel Ave., Cincinnati 8, Ohio	1939
	MILLER, CLARK, Inwood, West Virginia	1951
L	MILLER, DOUGLAS SCOTT, 122 Lawrence Ave., East, Toronto, Ontario, Canada	1938
	MILLER, MISS H[ELEN] ELIZABETH, Stromsburg, Nebraska	1950
	MILLER, DR. JOHN R., 712 N. Peach Ave., Fresno 1, California	1946
LF	MILLER, DR. LOYE H[OLMES], Museum of Vertebrate Zoology, Berkeley 4, California (1918)	1930
	MILLER, LYLE DEVERN, 650 Almyra Ave., Youngstown, Ohio	1947

	MILLER, RICHARD F[IELDS], 2627 N. 2nd St., Philadelphia 33, Pennsylvania	1952
M	MILLER, DR. ROBERT C[UNNINGHAM], California Academy of Sciences, San Francisco, California (1935)	1942
	MILLER, WILLIAM R[OSEWARNE], Fish and Game Service, R. F. D. 1, Milton, Vermont	1949
	MILLIKEN, PHOEBE, Armonk, New York	1953
	MILLIKEN, SAMUEL GIBBS, Kerrville, Box 245, Texas	1953
	MILLION, ALBERT, 2060 Rustic Rd., Dayton 5, Ohio	1948
	MILLS, DUDLEY H[OLBROOK], Glen Head, Long Island, New York	1929
	MILLS, DR. HARLOW B[URGESS], Natural History Survey, Urbana, Illinois	1949
	MILLS, MRS. PETER J. [NANCY M.], R. R. 2, Chesterton, Indiana	1950
	MILLS, W[ILLETT] J[AMES], 100 Spring Garden Road, Halifax, Nova Scotia, Canada	1953
	MILNES, HERBERT, Box 48, P. A. No. 1, Woodstock, Ontario, Canada	1952
	MINICH, EDWARD C[ONRAD], 1047 Fairview Ave., Youngstown 2, Ohio	1949
	MINOR, DON, Minong, Wisconsin	1952
	MINOR, WILLIAM FAULKNER, Bristol Laboratories, Inc., Syracuse 1, New York	1946
	MISKIMEN, MILDRED, Department of Physiology, Miami University, Oxford, Ohio	1951
	MITCHELL, G[EOERGE] J[OSEPH], Fish and Game Commission, Administration Bldg., Edmonton, Alberta, Canada	1949
M	MITCHELL, HAROLD D[IES], 378 Crescent Ave., Buffalo, New York . . (1930)	1949
	MITCHELL, MRS. HELEN W[EBER], Wade Park Manor, Cleveland 6, Ohio	1948
L	MITCHELL, MRS. OSBORNE S. [MARGARET H.], c/o COBAST, Caixa Postal 4965, Rio de Janeiro, Brazil	1928
HL	MITCHELL, DR. WALTON L[UNGERICH], 398 Vassar Ave., Berkeley 8, California	1893
	MITCHENER, ALFRED J., 73 Market St., Collingwood, Ontario, Canada	1952
	MOFFATT, ARTHUR ROY, Norwich, Vermont	1953
	MOHR, MRS. CAROL B[URDEN], 20 LaFayette St., White Plains, New York	1952
	MOHR, CHARLES EDWARD, Audubon Center, Quaker Ridge, Greenwich, Connecticut	1942
	MONCRIEFF, J[ESSE] EDWIN, 2745 E. 8th St., National City, California	1949
	MONK, H[ARRY] C[RAWFORD], 406 Avoca St., Nashville 5, Tennessee	1921
M	MONROE, BURT L[EAVELLE], Ridge Rd., Anchorage, Kentucky . . . (1935)	1947
	MONROE, ENS. BURT L., JR., USNR, U. S. S. Badoeng Strait, CVE-116, c/o F. P. O., San Francisco, California	1953
	MONROE, DR. JAMES, Ray Brook, New York	1940
M	MONSON, GALE [WENDELL], P. O. Box 1717, Parker, Arizona (1937)	1950
	MONTAGUE, MRS. ROBERT P., 49 Spring Street, Southbridge, Massachusetts	1953
	MONTETH, DAVID Y[ATES], III, 409 Maple St., Columbia 5, South Carolina	1953
	MONTGOMERY, CARL E[DWIN], 547 N. 8th St., Allentown, Pennsylvania	1944
	MONTGOMERY, GEORGE HUGH, 4689 Westmount Ave., Westmount, Quebec, Canada	1947
	MONZ, PAULINE [MAGDALENE], 110 Linglestown Rd., Harrisburg, Pennsylvania	1951
	MOODY, A[DELBERT] J[OHN], c/o Aetna Life Insurance Co., Hartford, Connecticut	1918

- L MOODY, OLIVE B[RAUCHAMP], 510 River Rd., Beaver, Pennsylvania 1949
 MOODY, R[OLLIN] W[AYNE], 612 Harrison St., Denver 6, Colorado 1949
 MOON, JENNIE S[ENNETT], 105 W. Woodbine St., Chevy Chase 15,
 Maryland 1949
 MOON, DR. NEIL S[ENNETT], 257 Pemberton Rd., Rochester 9, New York 1949
 MOORE, JAMES R[ICHARDS], Saybrook, Connecticut 1937
 MOORE, JOSEPH C[URTIS], Everglades Natural History Association, Box
 275, Homestead, Florida 1952
 MOORE, MRS. OTIS R. [BERTHA S.], Box 145, Lamington Rd., Bedminster,
 New Jersey 1951
 MOORE, ROBERT B[YRON], 1332 Alfred St., Baton Rouge, Louisiana 1949
 LF MOORE, ROBERT THOMAS, Borestone Mt., Monson, Maine (1898) 1946
 MOORE, TILFORD, 2265 Carter Ave., St. Paul 8, Minnesota 1945
 MOREJOHN, GONZALO VICTOR, Box 26, R. F. D. 1, Davis, California 1947
 MORENO, DR. ABELARDO, Universidad de la Habana, Havana, Cuba 1942
 MORGAN, ALLEN H., Cochituate Rd., Wayland, Massachusetts 1947
 L MORGAN, JOHN SAGE, 38 Garrison Rd., Brookline, Massachusetts 1927
 MORINE, ALFRED M[ONROE], Hennepin, Illinois 1949
 MORIOKA, H[IROUYUKI], No. 114, Nonakashinden, 483, Kodaira, Tokyo,
 Japan 1950
 MORLAND, THOMAS F[RANCIS] T[HORNHILL], University Club, 150 Elgin
 St., Ottawa, Ontario, Canada 1952
 MORONY, JOHN J., JR., Alamo, Texas 1952
 MORRISON, ALVA, 2 Garden Terrace, Cambridge 38, Massachusetts 1946
 MORRISON, KENNETH DOUGLAS, R. F. D. 1, Armonk, New York 1947
 MORRISSEY, THOMAS J., 325 McClellan Blvd., Davenport, Iowa 1947
 MORROW, MRS. JOHN, JR. [DESSIE P[OWERS]], 1320 N. State St., Chicago
 10, Illinois 1947
 MORSE, MISS MARGARETTE E[LTHEA], 122 W. South St., Viroqua, Wis-
 consin 1919
 MORTENSEN, HEMMING, 217-12 102nd Ave., Queens Village, New York 1953
 MOSER, DR. HOWARD F[RANKLIN], 315 Cresswell St., Ridley Park, Penn-
 sylvania 1948
 LM MOSER, DR. R[EUBEN] ALLYN, 911 S. 89th St., Omaha 6, Nebraska (1940) 1947
 MOSES, DR. LEON, 8 E. 75th St., New York 21, New York 1948
 MOSKI, HENRY C[HARLES], JR., 20 St. James St., Hamden 14, Connecticut 1952
 MOSTOLLER, RALPH V[ICKROY], 1 Cleveland St., Johnstown, Pennsylvania 1936
 MOULTON, FRANCIS S[EVERN], 14 Acorn St., Boston 8, Massachusetts 1926
 MOULTON, FRANCIS SEVERN, JR., 2 Elm St., Concord, Massachusetts 1947
 MOUND, STANLEY W., R. R. 1, Vittoria, Ontario, Canada 1952
 MOUNTFORT, GUY, Tower Barn, Farnham Common, Bucks, England 1953
 MOUNTS, MRS. MARVIN U., 3009 Vincent Rd., West Palm Beach, Florida 1953
 MOYER, JACK T[HOMSON], 374th Fd Sv Sq., APO 704, c/o PM, San Fran-
 cisco, California 1952
 MUCHMORE, DR. WILLIAM B[REULEUX], 219 University Park, Rochester
 20, New York 1949
 L MUDGE, EDMUND W., JR., 5926 Averill Way, Dallas 5, Texas 1947
 MUELLER, FRANK D[OUGLAS], 49 Radford Ave., Toronto, Ontario, Canada 1950
 MUELLER, HELMUTH C[HARLES], 2756 N. Palmer St., Milwaukee 12,
 Wisconsin 1948

	MUGGENBURG, BRUCE A., 1512 W. California, St. Paul 4, Minnesota	1952
	MULLIGAN, WALTER F., 9210—49th Ave., College Park, Maryland	1947
	MUNRO, DAVID AIRD, Department of Zoology, University of British Columbia, Vancouver, British Columbia, Canada	1947
M	MUNRO, GEORGE C[AMPBELL], 3029 Hibiscus Drive, Honolulu 15, Hawaii (1939)	1945
F	MUNRO, JAMES ALEXANDER, Okanagan Landing, British Columbia, Canada	(1913) 1941
	MUNTER, W[ILLIAM] H[ENRY], 550 Federal Bldg., Seattle, Washington . . .	1927
	MURDOCK, JAMES [INGRAM], 311 Irving Place, Glendale, California	1943
	MURDY, H[ORATIO] W[ILLIAMS], P. O. Box 418, Webster, South Dakota . . .	1949
M	MURIE, O[LAUS] J[OHAN], Moose, Wyoming	(1913) 1934
	MURPHY, GRACE E[MELINE] BARSTOW [MRS. ROBERT C.], "Briarlea," Old Field, Setauket, New York	1919
	MURPHY, JOSEPH ROBISON, 913 H. St., Lincoln 8, Nebraska	1952
F	MURPHY, DR. ROBERT CUSHMAN, American Museum of Natural History, Central Park West at 79th St., New York 24, New York . . . (1905)	1920
	MURRAY, DOUGALD, R. R. No. 1, Melbourne, Ontario, Canada	1952
M	MURRAY, J[OSEPH] J[AMES], 6 White St., Lexington, Virginia	(1928) 1936
	MUSGROVE, JACK W[ARREN], 2414 Adams St., Des Moines, Iowa	1946
	MUSSELMAN, DR. T[HOMAS] E[DGAR], 124 S. 24th St., Quincy, Illinois	1922
	MYERS, BUFORD M[ACMARTIN], JR., 45 Oakland St., New Orleans 23, Louisiana	1952
	MYERS, EVERETT C., Bowling Green State University, Bowling Green, Ohio	1949
	MYERS, MRS. HILL, Box 106, Mansfield, Louisiana	1953
	MYKLEBUST, ROY J[OHN], Box 191, Benton, Missouri	1948
	NAKAMURA, TSUKASA, Kichizawa-mura, Naka-Koma-gun, Yamanashi Pref., Japan	1953
	NASH, NATHANIEL CUSHING, IV, 22 Summer St., Goffstown, New Hamp- shire	1940
	NAUMBURG, WALTER W[EHLE], 121 E. 64th St., New York 21, New York . .	1923
LF	NAUMBURG, MRS. WALTER WEHLE [ELSIE], 121 E. 64th St., New York 21, New York	(1916) 1952
	NEAL, MRS. CHARLES, Box 133, Demorest, Georgia	1947
	NEESS, JOHN CARL, Department of Zoology, Birge Hall, University of Wisconsin, Madison, Wisconsin	1948
M	NEFF, JOHNSON A[NDREW], Wildlife Research Laboratory, Bldg. 45, Denver Federal Center, Denver 2, Colorado	(1919) 1951
	NEHER, HARRY T[RAINOR], 817 Radcliffe St., Bristol, Pennsylvania	1951
	NELSON, MRS. CHARLES E., JR., 124 Oxford Rd., Waukesha, Wisconsin . .	1938
	NELSON, MRS. EDITH T., 650 Blair Ave., Piedmont 11, California	1952
	NELSON, G[AYLE] H[ERBERT], Department of Biology, Washington Mis- sionary College, Takoma Park, Washington 12, D. C.	1950
	NELSON, G[IDEON] E[DMUND], JR., Department of Biology, Alabama Col- lege, Montevallo, Alabama	1949
	NELSON, GRACE SHARRITT [MRS. ALMER P.], National Elk Refuge, Jackson, Wyoming	1949
	NELSON, HARRY P[ETER], 838 N. Cass St., Milwaukee 2, Wisconsin	1948
	NELSON, HARVEY K., Fish and Wildlife Service, Branch of Wildlife Refuges, Washington 25, D. C.	1953

- L NELSON, DR. THEODORA, 315 E. 68th St., New York 21, New York 1927
 NERO, ROBERT W[ILLIAM], University of Wisconsin Department of Zoology,
 Madison, Wisconsin 1950
 NESS, ROBERT D[AVID], 17 Five Points Rd., Rush, New York 1951
 NESSLE, JAMES P[HILIP], 1823 Barrows St., Toledo 12, Ohio 1949
 NETHERTON, HAZEL I. M. [MRS. CLIFFORD L.], 1004 Wakefield Dr., Apt.
 No. B-1, Belle View Apts., Alexandria, Virginia 1947
 NETTLETON, JOHN W., 1086 Avenue Rd., Toronto, Ontario, Canada 1952
 NEU, DR. HAROLD N., 506 N. Elmwood Rd., Omaha 3, Nebraska 1952
 NEW, JOHN G., Fernow Hall, Cornell University, Ithaca, New York 1946
 NEWBERRY, A[NDREW] TODD, 70 Rock Spring Rd., West Orange, New
 Jersey 1952
 NEWMAN, ARNOLD L., Route No. 1, Clare, Michigan 1953
 M NEWMAN, ROBERT J[AMES], Zoology Department, Louisiana State Uni-
 versity, Baton Rouge, Louisiana (1943) 1952
 LF NICE, MRS. MARGARET MORSE, 5725 Harper Ave., Chicago 37, Illinois
 (1920) 1937
 M NICHOLS, CHARLES K[ETCHAM], 212 Hamilton Rd., Ridgewood, New Jersey
 (1931) 1948
 NICHOLS, MRS. CHARLES K., 212 Hamilton Rd., Ridgewood, New Jersey . . 1933
 LM NICHOLS, JOHN TREADWELL, American Museum of Natural History, 79th
 St. & Central Park W., New York 24, New York (1901) 1914
 NICHOLS, L[SON] NELSON, 331 E. 71, New York, New York 1917
 NICHOLS, WILLIAM WALLACE, 515 Seaview Place, Vista, California 1950
 NICHOLSON, DONALD JOHN, 1224 Palmer St., Orlando, Florida 1947
 NICKELL, WALTER P[RINE], Cranbrook Institute of Science, Bloomfield
 Hills, Michigan 1941
 M NIEDRACH, ROBERT J[AMES], Box 116A, R. R. 3, Littleton, Colorado. (1940) 1944
 NIELDS, JAMES F., JR., Hardwick, Massachusetts 1952
 NIELSEN, JOSEPH A[USTIN], 253 Warren St., Brooklyn 31, New York 1953
 NIELSON, BEATRICE WISE, Rt. 1, Box 808—Nielsen Reservation, Red
 Bluff, California 1949
 NIOSI, NICHOLAS, 65 Park Ave., Bloomfield, New Jersey 1953
 NIPER, GAIL BROUGHTON [MRS. LEONARD C.], 99 Ridgewood Rd., Clifton,
 New Jersey 1949
 NIVEN, KENNETH D[UNCAN], 61 Broadway, Monticello, New York 1949
 NOLAN, JAMES R., 14 Edgewood Road, Peekskill, New York 1953
 NOLAN, THOMAS B[RENNAN], U. S. Geological Survey, Washington, D. C. 1935
 NOLAN, VAL, JR., 806 S. Henderson St., Bloomington, Indiana 1952
 NORBY, DARWIN E[MIL], Department of Botany, Indiana University,
 Bloomington, Indiana 1950
 NOREN, OSCAR B., 25415 Powers Rd., Farmington, Michigan 1947
 NORMAN, EDWARD D'A[UBIGNY], Old Deerfield, Massachusetts 1951
 NORRIS, ROBERT A[LLEN], Museum of Vertebrate Zoology, University of
 California, Berkeley 4, California 1939
 NORRIS, RUSSELL T[APLIN], 56 Spofford St., Newburyport, Massachusetts 1938
 NORTH, GEORGE W[EBSTER], 249 Charlton Ave., W., Hamilton, Ontario,
 Canada 1938
 NORTHROP, DR. HARSON A., 358 E. Main St., Owatonna, Minnesota 1952
 NORTHROP, MYRON, 7934 Delmar Blvd., University City 5, Missouri 1949

	NORTHWOOD, JOHN D'ARCY, Mill Grove, Audubon, Pennsylvania.....	1946
	NORTON, PETER, 115 Alpine Terrace, Oakland 18, California.....	1947
	NOVAES, FERNANDO [DA] C[OSTA], Rua Toneleiros 186, Apt. 303, Copacabana, Rio de Janeiro, Brazil.....	1949
	NOVY, DR. FRANK O., 420 S. Jefferson Ave., Saginaw 6, Michigan.....	1952
	NUTT, DAVID C., Dogford Rd., Etna, New Hampshire.....	1938
	NYC, FREDERICK F[RANCIS], Box 1294, San Angelo, Texas.....	1943
M	OAKESON, DR. BARBARA BLANCHARD, University of California, Santa Barbara, California.....(1947)	1951
LF	OBERHOLSER, DR. HARRY C[HURCH], 2933 Berkshire Rd., Cleveland Heights, Cleveland 18, Ohio.....(1888)	1902
	OBERLY, DONALD B., R. R. 2, Urbana, Ohio.....	1947
	OBRIEN, FLORA E., 118 S. W. 11th Ave., Miami, Florida.....	1953
	O'BRIEN, PAUL J[OSEPH], 315 Grove St., Haddonfield, New Jersey.....	1953
	OBUSEK, ANDREW W[ILLIAM], 317 Gumbert St., Portvue, McKeesport, Pennsylvania.....	1949
	O'CONNELL, THOMAS B., 7 Pittsmore Rd., Roslindale 31, Massachusetts..	1952
	ODLUM, GORDON C[OLIN], Race Rocks, c/o Pilotage Authority, 300 Dallas Rd., Victoria, British Columbia, Canada.....	1948
	ODOM, BABETTE MOORE [MRS. EDGAR R.], P. O. Box 458, Orange, Texas	1949
F	ODUM, DR. EUGENE P[LEASANTS], University of Georgia, Athens, Georgia (1932)	1951
	OEHSER, PAUL HENRY, Smithsonian Institution, Washington 25, D. C.....	1940
	OGLOBLIN, DR. ALEJANDRO, Laboratorio Central de Acridiologia, Manuel De Pinazo, Pcia de Buenos Aires, Republica Argentina.....	1952
	OLIVARES, ANTONIO, Colegio del Virrey Solis, Calle 73 No. 10-45, Bogotá, Colombia, South America.....	1952
	OLIVER, JAMES H., JR., Box 145, Waynesboro, Georgia.....	1953
	OLMSTEAD, ROSSITER D., 1323 Fern St., New Orleans 18, Louisiana.....	1952
	OLMSTED, ROGER O., 818 Alabama, Lawrence, Kansas.....	1949
	OLSEN, DR. RICHARD E[LLSWORTH], 3325 Franklin Rd., R. No. 3, Pontiac, Michigan.....	1949
	OLSON, LEO B[ERNIE], 835 S. First St., Dekalb, Illinois.....	1949
	OLSON, MRS. SIMON [GLADYS E(LIZABETH)], 33 Harvard Dr., Lake Worth, Florida.....	1951
	OLSON, WILLIS A[RON], 311 W. Owatonna St., Duluth 3, Minnesota.....	1952
	OMMANNEY, GEOFFREY G[REAM], Hudson Heights, Quebec, Canada.....	1941
	O'NEIL, MRS. NORAH SELBY, 1311 Bonham St., Commerce, Texas.....	1948
	ONO, MASAYUKI, 1835 Haneki-cho, Setagaya-ku, Tokyo, Japan.....	1951
	ORBISON, DOUGLAS CAMPBELL, Guard Hill Rd., Mt. Kisco, New York....	1947
	O'REILLY, R[ALPH] A[NTHONY], JR., Davisburg, Michigan.....	1951
	ORENSTEIN, JOSEPH J., 17-33 160th St., Whitestone 57, New York.....	1953
	ORESMAN, STEPHEN B[ERTEL], 115 Central Park West, New York 23, New York.....	1948
	ORME, NELLIE ELIZABETH, 522 N. 15th St., Clarinda, Iowa.....	1948
	ORMONDROYD, JESSE, 2104 Copley Ave., Ann Arbor, Michigan.....	1949
	ORR, MISS E[MMA] VIRGINIA, N. Valley Rd., Paoli, Pennsylvania.....	1939
	ORR, HOWARD D[ENNIS], Department of Biological Sciences, University of Pittsburgh, Pittsburgh 13, Pennsylvania.....	1953
M	ORR, DR. ROBERT T[HOMAS], California Academy of Sciences, Golden Gate Park, San Francisco 18, California.....(1937)	1941

	ORTH, JOHN C., Trailside Museum, Bear Mountain, New York	1936
	ORVIS, MRS. CLAY HARDIN, 164 E. 72nd St., New York 21, New York . . .	1949
	OVERING, ROBERT, R. F. D., No. 4, Raleigh, North Carolina	1929
	OVERTON, MISS MARION F[RANCES], 42-11 Kissena Blvd., Flushing, New York	1950
	OWRE, OSCAR T[HEODORE], 2625 Newton Ave. S., Minneapolis, Minnesota	1934
L	PACK, ARTHUR NEWTON, Ghost Ranch, Abiquiu, New Mexico	1929
	PACKARD, CHRISTOPHER M[OORE], Portland Museum of Natural History, Elm St., Portland, Maine	1950
	PACKARD, FRED M[ALLERY], National Parks Association, 1840 Mintwood Place, N. W., Washington 9, D. C.	1935
	PACKARD, ROBERT LEWIS, Kansas Museum of Natural History, Lawrence, Kansas	1953
	PAFF, DR. WILLIAM A[LAFRED], 2601 E. Jackson Blvd., Elkhart, Indiana . .	1927
	PAINE, ROBERT T[REAT], III, 2 Hubbard Park, Cambridge, Massachusetts	1950
	PALLAS, MISS DOROTHY CONSTANCE, 374 Sussex Rd., Wood-Ridge, New Jersey	1951
	PALMER, GEORGE A[NTHONY], 24 Grampion Way, Dorchester, Massa- chusetts	1949
LM	PALMER, DR. RALPH S[IMON], New York State Museum, State Education Bldg., Albany 1, New York (1932)	1953
HL	PALMER, SAMUEL COPELAND, Swarthmore College, Swarthmore, Penn- sylvania	1899
LF	PALMER, DR. THEODORE SHERMAN, 1939 Biltmore St., N. W., Washington, D. C. (1888)	1901
	PALMER, MRS. THEODORE SHERMAN [BERTHA ELLIS], 1939 Biltmore St., N. W., Washington, D. C.	1918
	PALMER, WAYNE NEWMAN, TD3, 422-88-30, Barracks No. 372, Coddington Point, U. S. Naval Training Center, Newport, Rhode Island . . .	1952
	PALMQUIST, C[LARENCE] O[SCAR], 834 Windsor Rd., Glenview, Illinois . . .	1950
	PALUDAN, DR. KNUD, Vildtbiologisk Station, Rönde, Denmark	1953
	PARK, CHARLES F[REDERICK], JR., Department of Geology, Stanford University, California	1936
	PARKER, CLARENCE J., 821 N. Garfield Ave., Alhambra, California	1947
	PARKER, HARRY C[LARENCE], c/o National Park Service, Fort Klamath, Oregon	1927
	PARKER, HENRY M[ELVILLE], Wayland, Massachusetts	1940
	PARKES, DR. KENNETH CARROLL, Section of Birds, Carnegie Museum, Pittsburgh 13, Pennsylvania	1947
	PARKINSON, BARBARA JO, 415 Walnut St., Mt. Carmel, Illinois	1952
	PARKS, RICHARD A., 2303 Pembroke Pl., N. E., Atlanta, Georgia	1947
	PARMALÉE, DR. PAUL W., Department of Zoology, Illinois State Museum, Springfield, Illinois	1953
	PARMELEE, DAVID F[REELAND], 209½ W. Duffy St., Norman, Oklahoma .	1948
	PARSONS, THOMAS STURGES, 15 Godwin Avenue, Ridgewood, New Jersey .	1953
L	PARTRIDGE, WILLIAM H., Belgrano 363 Caseros F.C.S.M., Buenos Aires, Argentina	1953
	PATTEN, BERNARD C[LARENCE], JR., Botany Department, Rutgers University, New Brunswick, New Jersey	1950
	PATTEN, DR. JOHN A., Box 396, Department of Biology, Middle Tennessee State College, Murfreesboro, Tennessee	1948

	PATTERSON, MISS CLARICE E., Dudley St., Hampden, Maine	1952
	PATTERSON, DR. ROBERT L[ANSING], Wyoming Game & Fish Commission, Box 335, Cheyenne, Wyoming	1953
	PAUL, LUCIUS H., 51 Riverview Place, Rochester 8, New York	1908
	PAULSON, C. W. GEOFFREY, The Monotype Corporation, Ltd., Salfords, Redhill, Surrey, England	1947
	PAULSON, DENNIS R[OY], 630 N. E. 22nd Territory, Miami 37, Florida . . .	1952
M	PAYNTER, DR. RAYMOND A[NDREW], JR., Museum of Comparative Zoology, Harvard University, Cambridge, 38, Massachusetts (1946)	1952
	PEABODY, JAMES [BISHOP], American Consulate General, Hamburg-APO No. 69, c/o P. M., NYC, New York	1940
	PEAKE, CYRIL BLACKETT, Apt. 302, 1445 Kingston Rd., Toronto 13, Ont- ario, Canada	1952
	PEARSE, THEED, Comox, Vancouver Island, British Columbia, Canada . .	1926
	PEARSON, ALLEN M[OBLEY], P. O. Box 1031, Auburn, Alabama	1940
	PECK, ARTHUR FRANCIS, 1311 Needham Ave., New York 67, New York . .	1948
	PEELLE, MILES L., 1039 College Ave., Adrian, Michigan	1948
	PEFFER, MRS. THOMAS A., 49 West Depot St., Hellertown, Pennsylvania .	1953
L	PELL, WALDEN, II, St. Andrew's School, Middletown, Delaware	1938
	PELLEW, MISS MARION JAY, The Heights, Aiken, South Carolina	1919
	PELOUBET, MRS. SIDNEY W., Moose Hill Road, Guilford, Connecticut . . .	1939
M	PEMBERTON, JOHN ROY, 714 W. Olympic Blvd., Los Angeles 15, California (1918)	1940
	PENNINGTON, TULLY S[ANFORD], Box 664, Collegeboro, Georgia	1952
	PEPALL, ROBERT L., 29 Wilberton Rd., Toronto 12, Ontario, Canada . . .	1952
	PEPPER, WILLIAM, 20 E. Bells Mill Rd., Philadelphia 18, Pennsylvania . .	1930
	PEQUEGNAT, WILLIS E[UGENE], Department of Zoology, Pomona College, Claremont, California	1948
L	PERKINS, DR. ANNE E[LIZABETH], 16 Dewall Rd., South Berwick, Maine . .	1917
	PERRING, LOUISE F[RANKLIN], 4821 Cedar Ave., Philadelphia 43, Penn- sylvania	1949
	PERRY, ALFRED EUGENE, P. O. Box 658, College Place, Washington	1953
	PERRY, FRANCES, Greene, Rhode Island	1949
	PERRYGO, WATSON M[ONDELL], U. S. National Museum, Washington 25, D. C.	1949
	PERSON, ELMER [G.], 406 Cleveland Ave., Ishpeming, Michigan	1949
	PESSINO, CATHERINE M., 2627 St. Raymond Ave., New York 61, New York	1952
M	PETERS, HAROLD S[LEYMOUR], 968 Cumberland Rd., N. E., Atlanta 6, Georgia (1924)	1947
	PETERSEN, ARNOLD J[EROME], Biology Department, Concordia College, Moorhead, Minnesota	1951
	PETERSEN, PETER C., JR., 620 E. 30th St., Davenport, Iowa	1952
	PETERSEN, WARREN M[ICHAEL], Box 285, Brigham City, Utah	1952
	PETERSON, ALFRED, Box 201, Brandt, South Dakota	1920
	PETERSON, ARTHUR S., 42 Overlook Rd., Cedar Grove, New Jersey	1952
	PETERSON, LAWRENCE M[INOR], S. Ave. Extension, Bradford, Penn- sylvania	1949
LF	PETERSON, ROGER TORY, P. O. Box 7, Glen Echo, Maryland (1929)	1952
M	PETRIDES, DR. GEORGE A[THAN], Department of Fisheries and Wildlife, Michigan State College, East Lansing, Michigan (1941)	1949

- LF PETTINGILL, DR. OLIN SEWALL, JR., 35 Sagamore Park, West Medford 55,
 Massachusetts (1930) 1947
 PETTIT, LINCOLN C[OLE], Box 217, Hiram, Ohio 1949
 PETTOCK, ANNE G[RACE], 233 S. 17th St., Allentown, Pennsylvania 1950
 PEYTON, SIDNEY BURNS, R. R. 2, Box 260, Fillmore, California 1946
 PHELPS, FRANK M[ILLS], 312 Fifth St., Elyria, Ohio 1912
 PHELPS, JAMES H[ARVEY], JR., 717 S. Fourth Ave., Pocatello, Idaho 1933
 L PHELPS, MRS. KATHLEEN DEERY, Apartado 2009, Caracas, Venezuela 1949
 F PHELPS, WILLIAM H., Apartado 2009, Caracas, Venezuela (1937) 1952
 LM PHELPS, WILLIAM H., JR., Apartado 2009, Caracas, Venezuela, (1940) 1948
 LM PHILLIPS, DR. ALLAN R[OBERT], 113 Olive Rd., Tucson, Arizona (1932) 1946
 PHILLIPS, HOMER WAYNE, Rt. 1, Box 81, Austin, Texas 1948
 PHILLIPS, RICHARD E[DWARD], Oregon Cooperative Wildlife Research Unit,
 210 Agric. Eng. Bldg., Corvallis, Oregon 1949
 PHILLIPS, RICHARD S[TUART], 834 Liberty St., Findlay, Ohio 1946
 PHILLIPS, WILLIAM B., 137 W. 81st St., New York 24, New York 1950
 PICKENS, DR. A[NDREW] L[EE], 2701 Selwyn Ave., Charlotte, North Caro-
 lina 1949
 PICKERING, ROBERT, 66 Menno St., Waterloo, Ontario, Canada 1948
 M PIERCE, FRED JOHN, Winthrop, Iowa (1948) 1950
 L PIERCE, ROBERT ALLEN, Department of Fish and Wildlife Resources,
 Kentucky Experimental Game Farm, Rt. 2, Frankfort, Kentucky 1941
 M PIRNIE, DR. MILES D., Conservation Bldg., Michigan State College, East
 Lansing, Michigan (1919) 1937
 F PITELKA, DR. FRANK A[LOIS], Museum of Vertebrate Zoology, University
 of California, Berkeley 4, California (1937) 1948
 PITTMAN, JAMES A[LLEN], 1138 Overbrook Dr., Orlando, Florida 1947
 PLAISTEAD, WALTER, 95 Newcomb Rd., Tenafly, New Jersey 1952
 PLAPP, DORIS A[NN], 4140 N. Keeler Ave., Chicago 41, Illinois 1949
 PLATFORD, SIDNEY D., 152 W. Duarte Rd., Arcadia, California 1937
 M PLATH, KARL, 305 S. Cuyler Ave., Oak Park, Illinois (1925) 1950
 PLATT, DWIGHT RICH, 1420 Ohio, Lawrence, Kansas 1953
 PLATT, WILLIAM, Devon and Grubb Rds., Paoli, Pennsylvania 1949
 HL POE, MISS MARGARETTA, Earl Ct., St. Paul & Preston Sts., Baltimore,
 Maryland 1899
 POMEROY, F[RED] E[LMER], 342 College St., Lewiston, Maine 1920
 POOLE, CECIL A[VERY], 1764 Topeka Ave., San Jose 26, California 1941
 M POOLE, DR. EARL L[INCOLN], Public Museum, Reading, Pennsylvania
 (1916) 1942
 LM POOR, HUSTACE HUBBARD, 7 Colonial Ct., New Canaan, Connecticut
 (1934) 1950
 POPE, LILLIAN GORZYCKI, R. F. D. No. 1, Buzon No. 38, Rio Piedras,
 Puerto Rico 1948
 PORTER, ELIOT F[URNESS], R. 1, Box 33, Santa Fe, New Mexico 1947
 PORTER, RICHARD DEE, Ecological Research, University of Utah, Dugway
 Proving Ground, Tooele, Utah 1948
 PORTER, T[HOMAS] WAYNE, Department of Zoology, Michigan State Col-
 lege, East Lansing, Michigan 1937
 POSPICAL, LEO B., Pte. Mouillee State Game Area, R. F. D. No. 2,
 Rockwood, Michigan 1952

	POST, WILLIAM, JR., Hegeman's Lane, Glen Head, Long Island, New York	1951
	POTTER, BEATRICE B[ROWN], 2111 Malvern Rd., Charlotte 7, North Carolina	1948
	POTTER, DAVID M[ORRIS], 1557 Timothy Dwight College, Yale University, New Haven, Connecticut	1946
M	POTTER, JULIAN K[ENT], 437 Park Ave., Collingswood, New Jersey (1912)	1944
	POTTER, L[OUIS] HENRY, R. R. No. 1, West Rutland, Vermont	1922
	POTTER, N[ATHAN] S., III, Route 5, Huntington, New York	1952
L	POTTS, F[RED] A[NDREW], 404 S. Main St., Waupaca, Wisconsin	1922
LM	POUGH, RICHARD H[OOPER], American Museum of Natural History, Central Park West at 79th St., New York 24, New York (1922)	1947
	POWELL, DAVID K[ENNETH], 5 Rockwood Pl., Apt. No. 6, Hamilton, Ontario, Canada	1953
	POWLES, PERCIVAL M[OUNT], 253 Huron St., London, Ontario, Canada	1952
	POYSER, MRS. FLORENCE E[DITH] [NORA], Box 1, Boulder City, Nevada	1952
	PRATHER, MRS. ELIZABETH H[UNT], 400 Center Ave., Westwood, New Jersey	1951
	PRATHER, MILLARD F[ILLMORE], P. O. Box 559, Fairfield, Alabama	1939
	PRATT, HERBERT W[ATSON], 160 State St., Boston 9, Massachusetts	1948
	PRATT, JOHN T[OWNSEND], 1969 Queen Ave., So., Minneapolis 5, Minnesota	1952
	PRAY, RUSSELL H[ARVEY], 662 Santa Rosa Avenue, Berkeley 7, California	1949
F	PREBLE, EDWARD A[LEXANDER], 3027 Newark St., N. W., Washington, D. C. (1892)	1935
	PRENDERGAST, J[AMES] STAFFORD, Eden Hill, Tyrone, Pennsylvania	1949
	PRESCOTT, DR. KENNETH WADE, United States Naval Preparatory School, U.S.N.T.C., Bainbridge, Maryland	1947
	PRESTON, DR. F. W., Box 149, Butler, Pennsylvania	1952
	PRESTWICH, ARTHUR A[LFRED], 61 Chase Road, Oakwood, London N. 14, England	1949
	PRICE, CHARLES E[VANS], JR., Woodward Ave., Moylan, Pennsylvania	1948
	PRICE, WILLIAM B[RUCE], 172 N. Lancaster St., Athens, Ohio	1951
	PRIMLEY, WALTER S., c/o American Chiclé Co., 405 Lexington Ave., New York 17, New York	1934
	PRINGLE, CORNELIA C[OVINGTON], 1816 Vallejo St., San Francisco 23, California	1950
	PRIOR, E. GERTRUDE, Sweet Briar, Virginia	1947
L	PROCTER, MRS. LILLIAN S[ANFORD], Williamstown, Massachusetts	1928
	PROCTOR, C. L., Armour Heights Public School, 148 Wilson Ave., Toronto, Ontario, Canada	1952
	PROCTOR, CHARLES A[LBERT], 23 Rope Ferry Rd., Hanover, New Hampshire	1947
	PROSSER, ALBERT L[AURENCE], Box H., Springvale, Maine	1951
	PROVOST, ERNEST E[DMUND], Zoology Department, Washington State College, Pullman, Washington	1952
	PRUITT, MRS. WILLIAM O., JR. [ERNA NAUERT], Museum of Zoology, University of Michigan, Ann Arbor, Michigan	1948
	PRUSIECKI, EDWARD [JOSEPH], 231 N. California, Hobart, Indiana	1951
	PUETT, MAY W[ILSON], P. O. Box 2183, Greenville, South Carolina	1952
	PULICH, WARREN M[ARK], 2720 Frazier Ave., Fort Worth, Texas	1949
	PURSELL, WILLIAM McCLAIN, 511 Neilson St., Berkeley 7, California	1947

	PUTMAN, WILLIAM L[LOYD], Dominion Entomological Laboratory, Vine-land Station, Ontario, Canada	1937
	PUTNAM, LOREN SMITH, Department of Zoology, Ohio State University, Columbus 10, Ohio	1942
	PYLE, JEAN G., 1510 Fifth Ave., Oakland 6, California	1952
	PYLE, ROBERT L[AWRENCE], P. O. Box 949, Wahiawa, Oahu, Hawaii . . .	1953
	QUATTLEBAUM, W[ILLIAM] D[AN], 1925 Paloma St., Pasadena 7, California	1924
	QUAY, DR. W[ILBUR] B[BROOKS], Division of Mammals, Museum of Zoology, University of Michigan, Ann Arbor, Michigan	1946
	QUAY, THOMAS L., Zoology Department, North Carolina State College, Raleigh, North Carolina	1942
	QUEENY, EDGAR M[ONSANTO], Route 13, Kirkwood, Missouri	1950
	QUINCY, MRS. LYMAN, 9 Frank Clarke St., Sumter, South Carolina	1950
	RABOR, DIOSCORO S[AROT], Silliman University, Dumaguete City, Negros Oriental, Philippines	1951
M	RACEY, KENNETH, 6542 Lime St., Vancouver, British Columbia, Canada (1921)	1950
	RAMEY, RALPH E[MERSON], JR., 2213 Century Drive, Columbus 11, Ohio .	1953
	RAMISCH, MISS MARJORIE [VIOLA], 1835 Noble Rd., Apt. 28, East Cleveland 12, Ohio	1951
	RAMSEY, A[LFRED] O[GDEN], McDonogh School, McDonogh, Maryland . .	1949
	RAMSEY, JAMES W[ILSON], Route 5, Box 30, Greenville, Pennsylvania	1952
	RAMSEY, RALPH L., 1578 N. Decatur Rd., Atlanta 6, Georgia	1947
F	RAND, DR. AUSTIN LOOMIS, Chicago Natural History Museum, Roosevelt Rd. and Field Dr., Chicago 5, Illinois (1927)	1943
L	RANDALL, CLARENCE BELDEN, 700 Blackthorn Rd., Winnetka, Illinois . . .	1948
	RANDALL, ROBERT N[EAL], 928 Sixteenth St., Bismarck, North Dakota . .	1939
	RANDOLPH, EVAN, Corner of Seminole and Chestnut Aves., Philadelphia 18, Pennsylvania	1949
	RANKIN, HENRY A[SHBY], JR., Box 803, Fayetteville, North Carolina . . .	1952
LM	RAPP, DR. WILLIAM FREDERICK, JR., 2759 F. St., Lincoln, Nebraska. (1939)	1950
	RAUSCH, DR. ROBERT [LLOYD], United States Public Health Service, Box 960, Anchorage, Alaska	1949
	RAWLINGS, WILLIAM HERBERT, Box 104, Valois, Quebec, Canada	1944
	RAWSON, DR. GEORGE WILLIAM, Ciba Pharmaceutical Products, Inc., Summit, New Jersey	1952
L	RAYMOND, OLNEY M[ARTIN], 129 Lincoln Pl., Brooklyn, New York	1930
	RAYNOR, GILBERT S[IDNEY], Wading River Rd., Manorville, Long Island, New York	1937
	READ, BAYARD W[HITNEY], Upper Dogwood Lane, Rye, New York	1949
	READ, DUNCAN H., Middleburg, Virginia	1946
L	REBMAN, G[ODFREY] RUHLAND, JR., 729 Millbrook Lane, Haverford, Pennsylvania	1948
	REDJIVES, C[ASIMIR] F[RANCIS], 881 Washington Ave., Brooklyn 25, New York	1949
	REECE, MAYNARD, 3405 50th St., Des Moines 10, Iowa	1948
	REED, MRS. D. PAUL [JEAN D.], 16 E. 92nd St., New York 28, New York	1952
	REED, EDWARD B., 157 Forest St., Fort Collins, Colorado	1953
	REED, DR. ERIK K[ELLERMAN], National Park Service, Santa Fe, New Mexico	1953

	REED, PARKER CROSBY, 27 Hayes Ave., Lexington 73, Massachusetts . . .	1948
	REESE, DR. CARL R[ICHARD], The Ohio State University, Department of Zoology and Entomology, Columbus 10, Ohio	1953
	REESE, MRS. ROBERT M[ILLER] [REBECCA RAMSEY], 219 S. St. Asaph St., Alexandria, Virginia	1920
	REESE, ROBERT W[ILLIAM], 3811 N. Washington Rd., Fort Wayne, Indiana	1949
	REGAN, FRANCES M., 113-19 Colfax St., St. Albans 11, New York	1948
	REGENNAS, CHARLES H[ENRY], JR., 130 W. Lemon St., Lititz, Pennsyl- vania	1950
	REHFISCH, CAROL, 335 Delgado St., Santa Fe, New Mexico	1948
HL	REHN, JAMES ABRAM G[ARFIELD], Academy of Natural Sciences, Logan Square, Philadelphia, Pennsylvania	1901
	REICHERT, MRS. R[OBERT] J[ACOB] [ELSA], 14 W. First St., Mount Vernon, New York	1950
	REID, MRS. BRUCE [BESSIE M.], Box 883, Silsbee, Texas	1918
	REID, DONALD B[URNETT], 285 Maplewood Ave., Winnipeg, Manitoba, Canada	1952
	REID, NEIL J., Mount Rushmore National Memorial, Keystone, South Dakota	1953
	REILLY, EDGAR M[ILTON], JR., P. O. Box 34, Old Chatham, New York . . .	1947
	REITH, MARIE, 120-05 Long St., Jamaica 5, New York	1952
L	RETT, EGMONT Z[ACHARY], Santa Barbara Museum of Natural History, Santa Barbara, California	1940
	REUTHER, RONALD, 1336 Richmond St., El Cerrito, California	1947
	REYNARD, GEORGE B[ERGIN], 728 Parry Ave., Palmyra, New Jersey	1950
	REYNOLDS, DR. HAROLD C., Museum of Vertebrate Zoology, University of California, Berkeley 4, California	1947
	REYNOLDS, MILDRED M. [MRS. PERRY J.], 5293 Bedford, Detroit 24, Michi- gan	1952
	REYNOLDS, DR. T. ERIC, 140 Estates Drive, Piedmont 11, California . . .	1941
	REYNOLDS, MRS. T. ERIC [LAUREL], 140 Estates Dr., Piedmont 11, Cali- fornia	1953
	REYNOLDS, THOMAS GEORGE, 92 Pine Ridge Rd., Pine Ridge, Media, Pennsylvania	1952
	REYNOLDS, WILLIAM P[IUS], 1330 Foulkrod St., Philadelphia 24, Penn- sylvania	1949
HL	RHOADS, CHARLES J[AMES], Bryn Mawr, Pennsylvania	1895
	RHODES, HARRY L., 503 Merriam Ct., Topeka, Kansas	1947
	RICE, DALE W[ARREN], Biology Department, Box 39, University of Florida, Gainesville, Florida	1949
	RICE, WARD J[ENNINGS], 5250 N. Pennsylvania St., Indianapolis 20, Indiana	1913
	RICH, MRS. EVA, 150 W. 80th St., New York 24, New York	1946
	RICHARDS, BOYD S[TEWART], Abney, Lot 64, Prince Edward Island, Canada	1950
	RICHARDS, DR. JOHN W[ATSON], R. F. D. 2, Emmitsburg, Maryland	1953
	RICHARDS, TUDOR, St. Paul's School, Concord, New Hampshire	1949
	RICHARDSON, CARL, Trail, Oregon	1946
	RICHARDSON, DAVID L[ORD], 1075 Park Ave., New York 28, New York . . .	1949
L	RICHARDSON, FLORA S. [MRS. W. D.], 4318 Oakenwald Ave., Chicago 15, Illinois	1925

	RICHARDSON, DR. FRANK, University of Nevada, Reno, Nevada.....	1939
	RICHMOND, DR. STANLEY MOORE, 156 E. 19th, Eugene, Oregon.....	1952
	RICHTER, CARL H., 703 Main St., Oconto, Wisconsin.....	1939
	RICHTER, DR. G[EOERGE] WILLIAM, Guide Bldg., Canfield, Ohio.....	1951
	RICKS, JOHN T[HOMAS], 507 Hunt Lane, Manhasset, Long Island, New York.....	1951
	RIDGELY, [MR.] BEVERLY S[ELLMAN], 25 Everett Ave., Providence 6, Rhode Island.....	1949
	RILEY, THOMAS J[AMES], Box 6, Brandywine Station, Schenectady, New York.....	1949
	RIMSKY-KORSAKOFF, V[LADIMIR] N[ICHOLAS], Box 735, Center Moriches, Long Island, New York.....	1951
LF	RIPLEY, DR. S[IDNEY] DILLON, II, Peabody Museum of Natural History, Yale University, New Haven 11, Connecticut..... (1938)	1953
	RISEBROUGH, ROBERT WILLIAM, Box 224, Richmond Hill, Ontario, Canada	1952
	RISING, GERALD R[ICHARD], 72 Allen's Creek Rd., Rochester 18, New York	1952
	RITCHEY, DARIUS T[EAQUE], 18—8th St., N. W., Minot, North Dakota..	1949
	RITCHIE, MRS. JACQUELINE M[AURICE], 1 Winthrop St., West Concord, Massachusetts.....	1951
	RITCHIE, DR. ROBERT C[HARLES], 165 Alexandra Blvd., Toronto, Ontario, Canada.....	1944
	RITCHING, WILLIAM R[USSELL], Gore Bay, Manitoulin Island, Ontario, Canada.....	1951
LM	ROBBINS, CHANDLER SEYMOUR, Patuxent Research Refuge, Laurel, Maryland..... (1944)	1949
	ROBBINS, CHANDLER, JR., Sugar Island Camps, Greenville, Maine.....	1934
	ROBBINS, MRS. ELEANOR C[OOLEY], [MRS. CHANDLER SEYMOUR], Patuxent Research Refuge, Laurel, Maryland.....	1939
	ROBERT, HENRY C[OOKE], HDQ. and HDQ. Battery, First F. A. Battalion, Fort Ord, California.....	1949
	ROBERTS, BERTRAND, 6951—33rd St., N. W., Washington 15, D. C.....	1944
	ROBERTS, MRS. FRANCES F., 1134 Glendon Ave., Los Angeles 24, California.....	1941
	ROBERTS, HAROLD D[AVIS], 610 Harrison St., Black River Falls, Wisconsin	1949
	ROBERTS, H[OWARD] RADCLYFFE, Box 493, Bryn Mawr, Pennsylvania...	1924
	ROBERTS, DR. J. HARVEY, Department of Zoology, Louisiana State University, Baton Rouge 3, Louisiana.....	1953
	ROBERTS, NEDDIE O'MOORE, 3025 Pine Needle Rd., Augusta, Georgia..	1948
HL	ROBERTS, WILLIAM ELY, 29 W. Stratford Ave., Lansdowne, Pennsylvania	1902
	ROBERTSON, HOWARD, 157 S. Wilton Dr., Los Angeles 4, California.....	1911
M	ROBERTSON, JOHN MCB[RIAR], 1677 W. 9th St., Pomona, California. (1920)	1948
	ROBINS, C[HARLES] RICHARD, 3300 N. Third St., Harrisburg, Pennsylvania	1948
	ROBINSON, J[OHN] W[ILLIAM], 216 Redfern Ave., Apt. 6, Westmount, Montreal 6, Quebec, Canada.....	1951
	ROBINSON, LUCILE W., Route 2, Box 82, Boring, Oregon.....	1951
	ROBINSON, ROBERT W[ILLIAMS], P. O. Box 69, Ithaca, New York.....	1949
	ROBINSON, THANE S[PARKS], Museum of Natural History, University of Kansas, Lawrence, Kansas.....	1952
	ROCKEFELLER, WILLIAM A[VERY], Room 2610, 52 Wall St., New York 5, New York.....	1949

	ROEHM, DR. HAROLD R., Lone Pine Rd., Bloomfield Hills, Michigan	1952
	ROESLER, M[AX] STUART, June Rd., Cos Cob, Connecticut	1949
	ROESLER, MRS. M[AX] STUART, [CAROL S.], June Rd., Cos Cob, Connecticut	1949
	LM ROGERS, CHARLES H[ENRY], East Guyot Hall, Princeton, New Jersey 1904 (1921)	
L	ROGERS, GERALD [TALBOT], 217-A Laymon St., WP AFB, Ohio	1941
	ROGERS, JOHN MATHER, 17 Phelps St., Binghamton, New York	1938
	ROGERS, JOHN R., 3 Tremont St., Beverly, Massachusetts	1953
	ROGERS, DR. KAY T[ROWBRIDGE], Department of Zoology, Oberlin College, Oberlin, Ohio	1949
	ROGERS, [HENRY] THOMAS, 1306 Dakota Ave., Libby, Montana	1947
	ROGERS, WALLACE, 715 Ellsworth Dr., N. W., Atlanta, Georgia	1921
	ROGERS, MRS. WALTER E., 911 E. North St., Appleton, Wisconsin	1932
	ROKOSKY, EMIL J[AMES], Racine Zoological Park, 2131 N. Main St., Racine, Wisconsin	1949
L	ROLLIN, NOBLE, Primrose Cottage, Glanton, Northumberland, England . .	1946
	ROLLO, MRS. W. E. [MARIE], Otis Rd., Barrington, Illinois	1940
	ROONEY, JAMES, JR., 1514 S. 12th Ave., Yakima, Washington	1943
	ROOT, OSCAR M[ITCHELL], Brooks School, North Andover, Massachusetts	1940
	ROSE, LESTER G., 20 Garfield Lane, Napa, California	1952
	ROSE, W[ILLIAM] C[UMMING], 710 W. Florida Ave., Urbana, Illinois	1950
	ROSEGAY, MARY LOUISE [MRS. HAROLD], 216 Los Gallinas Ave., San Rafael, California	1942
	ROSENTHAL, DR. MORTON LAWRENCE, 268 Linden Blvd., Brooklyn 26, New York	1953
	ROSS, AARON B[ELNAP], 3562 Porter Ave., Ogden, Utah	1947
	ROSS, C[HARLES] CHANDLER, 7924 Lincoln Dr., Chestnut Hill, Pennsylvania	1936
	ROSS, MISS EDNA G[RACE], Almonte, Ontario, Canada	1948
	ROSS, HOLLIS T[REVOR], 29 S. 2nd St., Lewisburg, Pennsylvania	1947
L	ROSS, J[AMES] B[RENT], 2408 Westminster Way, N. E., Atlanta 6, Georgia	1949
	ROSS, DR. LUCRETIIUS H[ENRY], 507 Main St., Bennington, Vermont . . .	1912
	ROSS, REUBEN J., P. O. Box 190, Georgetown, Connecticut	1922
	ROSS, ROLAND C., 1820 Bushnell Ave., South Pasadena, California	1925
F	ROWAN, WILLIAM, Department of Zoology, University of Alberta, Ed- monton, Alberta, Canada (1920)	1950
	ROWINSKI, LUDWIG J., 17 Schneider Pl., Passaic, New Jersey	1947
	ROYALL, WILLIS C., JR., 236 E. 75th St., Apt. 4-A, New York 21, New York	1945
	ROWLEY, J[OHN] STUART, 403 S. First St., Alhambra, California	1930
	RUBENDALL, ELIZABETH, Winter Veterans Administration Hospital, To- peka, Kansas	1947
	RUBEY, WILLIAM W., 5216 Westwood Dr., Washington 16, D. C.	1933
	RUDD, DR. CLAYTON GLASS, 315 Medical Arts Bldg., Minneapolis 2, Minnesota	1946
	RUDD, DR. R[OBERT] L., Department of Zoology, University of California, Davis, California	1939
	RUDOLPH, ROYSTON R[ICE], JR., Sabine National Wildlife Refuge, MRN Box 107, Sulphur, Louisiana	1949
	RUNK, ALFRED E., Ramsey, New Jersey	1952

	RUSSAK, MARSHALL L[OUIS], 1675 Metropolitan Ave., Bronx 62, New York	1951
	RUSSELL, DR. L[ORIS] S[HANO], National Museum of Canada, Ottawa, Ontario, Canada	1951
	RUSSELL, STEPHEN M[IMS], 267 E. Valley St., Abingdon, Virginia	1949
	RUSSELL, DR. WHITFIELD LEGGETT, Box 22, Rhome, Texas	1941
	RUSTAD, ORWIN A., Department of Biology, St. Olaf College, Northfield, Minnesota	1950
	RUTTER, RUSSELL J[AMES], Box 445, Huntsville, Ontario, Canada	1928
	RYCRAFT, THOMAS MATTEN, 427 E. 3rd St., Watsonville, California	1953
	RYDER, RONALD A[RCH], U.S.S. Burton, Island (AGB-1), c/o FPO, San Francisco, California	1949
	RYLANDER, [MICHAEL] KENT, Box 5303, North Texas Station, Denton, Texas	1953
	RYSER, DR. FRED A., JR., Zoology Department, University of Wisconsin, Madison, Wisconsin	1951
	SABIN, WALTON B., 1490 New Scotland Rd., Slingerlands, New York	1942
	SABINE, MRS. WINIFRED S[PRAGUE], 503 Tripphammer Rd., Ithaca, New York	1950
	SAGE, EVAN V., R. R. 3, Waterloo, Iowa	1947
	SALLER, ROY M., Department of Biology, Western Illinois State Teachers College, Macomb, Illinois	1931
	SALT, DR. GEORGE WILLIAM, Division of Zoology, University of Cali- fornia, Davis, California	1947
	SAMPSON, DR. EDWARD, Guyot Hall, Princeton, New Jersey	1936
	SAMPSON, W[ALTER] B[EHNARD], 1005 N. San Joaquin St., Stockton, Cali- fornia	1922
	SANDERS, MISS ELLEN A[LLEN], R. R. 4, Campbellsville, Kentucky	1952
	SANDERS, KATY FRIEL, Max Meadows, Virginia	1949
	SANDFORD, WILLIAM F[OSTER], 87 Main St., Matawan, New Jersey	1951
	SANDY, MISS TIRZAH M., University Hospital, Baltimore 1, Maryland	1953
	SATHER, CARLYLE WILMAR, 1290 Grove St., Apt. 204, San Francisco 17, California	1953
	SATTELY, DAVID CARL, 266 Center St., New Milford, New Jersey	1953
	SATTER, JOHN M[ARCUS], 4500 Millersville Rd., Indianapolis 5, Indiana	1952
	SATTERLY, JACK, Department of Mines, Parliament Bldgs., Toronto 2, Ontario, Canada	1947
	SATTERTHWAIT, ELIZABETH ALLEN [MRS. ALFRED FELLEBERG], 775—19th Ave., S., St. Petersburg, Florida	1920
	SAUER, DR. GORDON C[HENOWETH], 2620 Francis St., St. Joseph, Missouri	1948
	SAUGSTAD, N. STANLEY, R. R. 4, Minot, North Dakota	1945
F	SAUNDERS, ARETAS A[NDREWS], Box 141, Canaan, Connecticut	(1907) 1950
M	SAUNDERS, DR. GEORGE B[RADFORD], Fish and Wildlife Service, 624 Peach- tree—Seventh Bldg., Atlanta 5, Georgia	(1925) 1947
	SAUNDERS, RICHARD M[ERRILL], 9 McMaster Ave., Toronto, Ontario, Canada	1935
	SAUNDERS, SYDNEY B., 22 Wilberton Rd., Toronto, Ontario, Canada	1953
LM	SAVAGE, JAMES, 1014 Ellicott Square, Buffalo, New York	(1895) 1934
	SAVAGE, THOMAS, 203 E. 62nd St., New York 21, New York	1953
	SAVERY, DON B[ROOKS], 8630 Chilson Rd., R. F. D. 1, Brighton, Michigan	1953
	SAVILE, DR. D[OUGLAS] B[ARTON] O[SBORNE], 6 Oakland Ave., Ottawa, Ontario, Canada	1949

	SAWYER, DOROTHY M[AY], 255 Whitney Ave., Apt. 41, New Haven, Connecticut.....	1936
	SCATTERGOOD, LESLIE W[AYNE], Fish and Wildlife Service, West Boothbay Harbor, Maine.....	1949
	SCHABER, LYLE, Box 256, Carbon, Alberta Province, Canada.....	1953
	SCHAEFFER, OSCAR FREDERICK, 825 Merchants Rd., Rochester, New York.	1916
	SCHAEFFER, DAVID A[LAN], USN, U.S.S. LST. 602, c/o F.P.O., San Francisco, California.....	1952
	SCHALLER, GEORGE BEALS, Box 272, University of Alaska, College, Alaska.	1953
	SCHARFFENBERG, R[ICHARD] S[HIRLEY], 511 Boyd Ct., Washington 12, D. C.....	1950
	SCHAUGHENCY, C[HARLES B[ERTRAM], Village Rd., Green Village, New Jersey.....	1949
	SCHEELE, WILLIAM E[ARL], The Cleveland Museum of Natural History, 2717 Euclid Ave., Cleveland 15, Ohio.....	1951
	SCHETZ, MRS. FRANCIS H[ARLEY], [VIRGINIA S.], 15 W. Old Gulph Rd., Gladwyne, Pennsylvania.....	1948
	SCHEPKOWSKI, MISS RACHAEL ORR, Forest Hills, Brevard, North Carolina	1953
	SCHETTY, FRANK R[OBERT], 237 LaSalle Ave., Hasbrouck Heights, New Jersey.....	1951
	SCHLICK, FRANK, 117 Olmsted Pl., R. R. 3, Syracuse, New York.....	1947
	SCHMIDT, KARL P[ATTERSON], Chicago Natural History Museum, Roosevelt Rd. and Field Dr., Chicago 5, Illinois.....	1950
	SCHMIDT, THOMAS B., JR., 3700 Sharon St., Harrisburg, Pennsylvania....	1947
	SCHNEIDER, WALTER N[ORTON], 157 Van Tassel Ct., San Anselmo, California.....	1952
	SCHNELL, JAY H[EIST], 1503 Bethlehem Pike, Flourtown, Pennsylvania... ..	1952
	SCHNITZER, ALBERT, 922 Lakeside Place, Elizabeth 3, New Jersey.....	1945
	SCHOLES, ROBERT T[HORNTON], Bushnell, Illinois.....	1948
LF	SCHORGER, DR. A[R]LIE W[ILLIAM], 168 N. Prospect Ave., Madison, Wisconsin.....(1913)	1951
	SCHOTTELIUS, BYRON ARTHUR, Box 686, Iowa City, Iowa.....	1951
	SCHRAMM, WILSON C., 321 Kensington Rd., Syracuse 10, New York....	1952
L	SCHULTZ, ALBERT B[IGELOW], JR., 143 Patton Ave., Princeton, New Jersey	1948
	SCHULTZ, KENNETH RICHARD, 4008 Rhoda Ave., Oakland 2, California....	1952
	SCHUMM, WILLIAM G., 302 "C" St., LaPorte, Indiana.....	1944
	SCHWALBE, PAUL W[AYMAN], Box 92, Gradyville, Pennsylvania.....	1952
	SCHWARTZ, C[HARLES] W[ALSH], 131 Forest Hill, Jefferson City, Missouri.	1951
	SCHWARTZ, PAUL A., Apartado 1766, Caracas, Venezuela.....	1952
	SCHWARZ, HERBERT F[ERLANDO], American Museum of Natural History, Central Park West at 79th St., New York, New York.....	1925
	SCHWEITZER, ROBERT DAVID, 1 Blackstone Pl., Riverdale 71, New York City, New York.....	1953
	SCIPLE, GEORGE W[ASHINGTON], Wildlife Research Laboratory, Building 45, Denver Federal Center, Denver 2, Colorado.....	1949
	SCOTLAND, DR. MINNIE B[RINK], 42 Continental Ave., Cohoes, New York.	1936
	SCOTT, FITZHUGH, 7800 N. River Rd., Milwaukee 11, Wisconsin.....	1952
	SCOTT, FREDERIC R[OBERT], 4600 Coventry Rd., Richmond 21, Virginia..	1943
L	SCOTT, DR. HORACE G[OLDEN], 5201 Woodlawn Blvd., Minneapolis 17, Minnesota.....	1951

- SCOTT, DR. JOHN W[ILLIAM], 1409 Garfield, Laramie, Wyoming 1934
- SCOTT, DR. OLIVER K[ENNARD], 437 E. 13th St., Casper, Wyoming 1936
- SCOTT, DR. THOMAS G[BORGE], Game Research and Management, Illinois
Natural History Survey, Urbana, Illinois 1938
- SCOTT, WALTER E[DWIN], 1721 Hickory Dr., Madison 5, Wisconsin 1937
- SCOVELL, D. E., 16 Beech Ave., Toronto 8, Ontario, Canada 1943
- SCROGGIN, JOHN B., Texas A. and M. College, Box 254, F. E., College
Station, Texas 1953
- SCUDDER, THAYER, Woodbury, Connecticut 1953
- SEARS, JOSEPH ALDEN, Hillside Rd., Northbrook, Illinois 1934
- SECORD, DR. ALAN C., 1105 Yonge St., Toronto, Ontario, Canada 1953
- SEEBER, EDWARD L., 213 Columbia St., Ithaca, New York 1943
- SEELY, WARNER, 2171 Middlefield Rd., Cleveland Heights 6, Ohio 1948
- SEFTON, J[OSEPH] W[ELLER], JR., c/o Sefton Investment Co., 638 F. St., San
Diego, California 1922
- SEHL, ROBERT H., 7027 Hegerman St., Philadelphia, Pennsylvania 1949
- SEIBERT, HENRI C[LEVET], Ohio University, Athens, Ohio 1934
- SEIBERT, ROBERT F[REDRICK], 151 Garfield Pl., Maplewood, New Jersey 1949
- SEIPLE, STANLEY J., Grove City College, Grove City, Pennsylvania 1927
- SELANDER, ROBERT K[EITH], Museum of Vertebrate Zoology, University of
California, Berkeley 4, California 1952
- SELBY, GERTRUDE PETTIT [MRS. JAMES A.], Lookout Point, Ridgeville,
Ontario, Canada 1947
- SEMPRUN, DR. RODOLFO J[OSÉ], Callao No. 1460, Buenos Aires, Argentina 1950
- SENER, RUTH, 233 Charlotte St., Lancaster, Pennsylvania 1949
- SERBOUSEK, LILLIAN E., 1226 Second St., S. W., Cedar Rapids, Iowa 1947
- SETTE, MRS. B[LANCHE] CAROLYN, R. R. 2, Box 403-A, Nixon, New Jersey 1949
- SEWALL, MRS. SUMNER, 1132 Washington St., Bath, Maine 1952
- L SHACKLETON, WALTER H[ODGE], R. R. 1, Box 76a, Prospect, Kentucky 1946
- SHADLE, DR. ALBERT R[AY], Biology Department, University of Buffalo,
Buffalo, New York 1928
- SHAFFER, CHESTER M[ONROE], 279 Ave., D, S. E., Winter Haven, Florida . 1940
- SHAFTESBURY, DR. ARCHIE D., Woman's College, University of North
Carolina, Greensboro, North Carolina 1937
- SHARP, BARTON L[AMAR], 201 N. Broad St., Lititz, Pennsylvania 1931
- SHARP, DR. WARD M., Pennsylvania Cooperative Wildlife Research Unit,
206 Forestry Bldg., State College, Pennsylvania 1936
- SHAUB, BENJAMIN MARTIN, 159 Elm St., Northampton, Massachusetts . . 1947
- SHAUGHNESSY, WINSLOW M., 657 Forest Ave., Glen Ellyn, Illinois 1953
- M SHAVER, DR. JESSE M[ILTON], 1706 Linden Ave., Nashville 12, Tennessee
(1924) 1932
- SHAW, DR. CHARLES H[ICKS], 109½ Mulberry St., Bremen, Ohio 1947
- L SHAW, HENRY S[OUTHWORTH], R. F. D. 1, Box 294-B, Westbrook, Maine . . 1916
- SHAW, MRS. HUGH E., 1103 7th St., South Nampa, Idaho 1952
- SHEARER, DR. AMON R[OBERT], Mont Belvieu, Chambers Co., Texas 1905
- SHEEHAN, ROBERT R[AYMOND], 815 Classen St., Norman, Oklahoma 1952
- L SHEFFLER, WILLIAM J[AMES], 4731 Angeles Vista Blvd., Los Angeles,
California 1928
- SHELDAMINE, CHARLES G[ARRED], Box 647, Cobleskill, New York 1949
- SHELTON, LEONARD A[REE], 313 First National Bldg., Pomona, California . 1947

	SHENLEY, MRS. MARY A., c/o Pitometer Co., 50 Church St., New York 17, New York	1952
	SHEPARD, FRANK P[ARSONS], JR., Meadow Lane, Greenwich, Connecticut .	1950
	SHEPHERD, PRENTISS, JR., 431 Marlboro St., Boston, Massachusetts	1946
	SHEPHERD, WILLIAM M[ARTIN], Box 414, Kenner, Louisiana	1952
	SHEPPARD, R[OY] W[ATSON], 1805 Moulnd Ave., Niagara Falls, Ontario, Canada	1928
	SHERER, FRANK A., 546 Third St., Brooklyn, New York	1944
	SHERWOOD, MRS. MARY P[ASCO], 113 Cook St., Ithaca, New York	1952
	SHOEMAKER, CARL D., National Wildlife Federation, 3308—14th St., N. W., Washington 10, D. C.	1938
	SHORT, WAYNE, 1130 Fifth Ave., New York 28, New York	1943
M	SHORTT, ANGUS HENRY, 101 Morier Ave., St. Vital, Manitoba, Canada (1946)	1951
M	SHORTT, T[ERENCE] M[ICHAEL], Royal Ontario Museum of Zoology, Queen's Park at Bloor St., Toronto, Ontario, Canada (1931)	1943
	SHREVE, BENJAMIN, 29 Chestnut St., Salem, Massachusetts	1933
M	SIBLEY, DR. CHARLES G[ALD], Fernow Hall, Cornell University, Ithaca, New York (1939)	1949
	SIBLEY, LONNIE M., East End Cottage, Rockefeller Refuge, Grand Chenier, Louisiana	1953
	SICK, DR. HELMUT, Fundacao Brasil Central, Avenida Nilo Pecanha 23 III, Rio de Janeiro, Brazil	1947
	SIMMONS, AMELIA [MRS. WILL(IAM) W.], 2742 N. Maryland, Milwaukee 11, Wisconsin	1946
L	SIMMONS, EDWARD M[ILHENNY], Avery Island, Louisiana	1941
LM	SIMMONS, DR. GEORGE FINLAY, Hull Zoological Laboratory, University of Chicago, Chicago, Illinois (1910)	1923
L	SIMMONS, GRANT G[ILBERT], JR., Lake Ave., Greenwich, Connecticut . . .	1948
L	SIMMONS, GRANT G[ILBERT], SR., Wiccafald, Greenwich, Connecticut . . .	1949
	SIMON, STEPHEN W[ISTAR], Monkton, Balto County, Maryland	1948
	SIMPSON, DR. THOMAS W., 3252 Reynolda Rd., Winston-Salem, North Carolina	1952
	SIMS, HAROLD LEE, Thibodaux, Louisiana	1937
	SINCLAIR, LISTER S., 1 Windruch, Kleinburg, Ontario, Canada	1952
	SINDT, MRS. JANE B., R. F. D. 1, Downers Grove, Illinois	1953
	SINGLETON, ALBERT ROLAND, 3968 Marburg Ave., Cincinnati 9, Ohio . . .	1947
	SISSON, MRS. CLYDE [KAY CURTIS], 1430 Wellington Dr., Columbia 4, South Carolina	1951
	SIVERLING, MRS. SIGNA I., Bowbells, North Dakota	1952
	SKAGGS, MERIT B[RYAN], Dodd Road—Route 3, Willoughby, Ohio	1951
	SKELTON, KATHLEEN GREEN, 353 W. 57th St., New York 19, New York . .	1949
	SKILLEN, DR. DONALD R[ALPH], 530 Georgian Rd., Pasadena 3, California	1929
LF	SKUTCH, DR. ALEXANDER F[RANK], Finca "Los Cusingos," San Isidro del General, Costa Rica (1930)	1951
	SLACK, MISS MABEL, 1004 Everett Ave., Louisville, Kentucky	1937
	SLATER, MISS H. ELIZABETH, Board of Education of Anne Arundel Co., Box 951, Annapolis, Maryland	1953
L	SLATER, H. N., Ridgeland, South Carolina	1949
	SLIPP, JOHN WESLEY, 710 N. Ainsworth, Tacoma 6, Washington	1942

	SLOCUM, MABLE L. [MRS. J. FRED], 29 Park St., Buffalo 1, New York . . .	1951
	SMALL, ARNOLD, 614 San Emidio St., Taft, California	1953
	SMALLEY, ALFRED EVANS, 608 N. Main St., Barbourville, Kentucky	1947
	SMART, ROBERT W[ILLIAM], Dunbar Hall, Exeter, New Hampshire	1949
	SMILEY, A[LFRED] K[EITH], JR., Mohonk Lake, New York	1928
	SMILEY, DANIEL, JR., Mohonk Lake, New York	1928
	SMITH, ALLEN G[ORDON], Fish and Wildlife Service, Box 603, Brigham City, Utah	1948
	SMITH, EARL EMMETT, Harvard Forest, Petersham, Massachusetts	1947
	SMITH, EARL R., Sta. B., Box 5271, New Orleans, Louisiana	1924
	SMITH, E[LLA] ESTHER, Box 462, Murphysboro, Illinois	1949
	SMITH, MRS. FRANK GLENROY [FRANCES B.], 231½ N. Main St., Jersey Shore, Pennsylvania	1949
	SMITH, FRANK R[USH], Route 2, Box 93, Laurel, Maryland	1926
L	SMITH, GEORGE A[RTHUR], 211 E. Avondale Rd., Greensboro, North Carolina	1942
	SMITH, DR. HARRY M[ADISON], Department of Zoology and Physiology, University of Wyoming, Laramie, Wyoming	1938
	SMITH, MRS. HERMAN DUNLAP [ELLEN THORNE], 121 Stone Gate Rd., Lake Forest, Illinois	1936
HL	SMITH, HORACE G[ARDNER], 1327 Sheridan Blvd., Denver 14, Colorado . . .	1888
	SMITH, IRENE M[ARIE], 1108—26th St., Des Moines 11, Iowa	1949
	SMITH, MRS. J[ACK] MORGAN, 1434 N. Morningside Dr., N. E., Atlanta, Georgia	1952
	SMITH, JEROME H., 4815 Erskine St., Omaha, Nebraska	1953
	SMITH, MISS MARION L[UCILLE], 429 S. Willard St., Burlington, Vermont .	1950
	SMITH, ORION O., 2911 Spring Creek Rd., Rockford, Illinois	1939
	SMITH, MRS. OTIS H. [ANNA MARGARET], 107 Alexander Ave., Box 507, Larkspur, California	1947
	SMITH, R[OBERT] DEMETT, JR., 4441 Quince Rd., Memphis 17, Tennessee	1951
	SMITH, ROBERT L., R. R. No. 1, Reynoldsville, Pennsylvania	1944
	SMITH, ROBERT LELAND, U. S. Geological Survey—G. and P., Washington 25, D. C.	1952
LM	SMITH, WENDELL PHILLIPS, Wells River, Vermont (1919)	1937
	SMITH, WILLIAM WALTER, 673 Milverton Blvd., Toronto 6, Ontario, Canada	1947
	SMITHE, FRANK B., 7 Center Dr., Douglaston, Long Island, New York . . .	1949
	SMITHE, F[RANK] NORTON, 647 E. 14th St., Apt. 4H, New York 9, New York	1947
	SMITHERS, REAY H. N., National Museum of Southern Rhodesia, P. O. Box 240, Bulawayo, S. R., Africa	1953
	SMOLA, FERDINAND G., 312 Patterson Bldg., Omaha 2, Nebraska	1952
	SMOLKER, ROBERT E[LIOT], 1209 E. 58th St., Chicago 37, Illinois	1952
	SMOOKER, GEORGE D[OUGLAS], c/o Royal Bank of Canada, West End Branch, Cockspur St., London, S. W. 7, England	1926
	SMYTH, J[AMES] ADGER, Marine Biological Laboratory, Florida State University, Tallahassee, Florida	1933
	SMYTH, DR. THOMAS, State Teachers College, Shippensburg, Pennsylvania	1921
	SNAPP, MRS. R[OSCOE] R[AYMOND], 310 W. Michigan Ave., Urbana, Illinois	1947
	SNYDER, DR. DANA PAUL, Section of Mammals, Carnegie Museum, Pitts- burgh 13, Pennsylvania	1947

	SNYDER, DOROTHY E[ASTMAN], The Peabody Museum, Salem, Massachusetts	1943
F	SNYDER, I[ESTER] L[YNNE], Royal Ontario Museum, 100 Queen's Park, Toronto, Ontario, Canada (1919)	1947
	SOLMAN, DR. VICTOR E[DWARD] F[RICK], Canadian Wildlife Service, Department of Resources and Development, Ottawa, Ontario, Canada	1952
F	SOPER, J[OSEPH] DEWEY, 10520—75th Ave., Edmonton, Alberta, Canada (1918)	1949
L	SORRILL, ANNA MARIE [MRS. TOM], R. R. 2, Ursa, Illinois	1948
	SPARKE, RICHARD W[ARRICK], 157 Archer St., Shreveport 64, Louisiana . .	1952
	SPEAR, JOAN L[UCY], 39 W. Elm St., Yarmouth, Maine	1950
L	SPEIRS, MRS. DORIS HUESTIS, "Cobble Hill," R. R. 2, Pickering, Ontario, Canada	1937
	SPEIRS, DR. J[OH]N MURRAY, "Cobble Hill," R. R. No. 2, Pickering, Ontario, Canada	1935
	SPENCER, HAVEN H., 3412 Oakwood, Ann Arbor, Michigan	1947
	SPENCER, MISS O[LIVE] RUTH, 1030 125th Avenue Ct., Moline, Illinois . .	1941
	SPERRY, CHARLES CARLISLE, 1455 S. Franklin St., Denver 10, Colorado . .	1920
	SPIERS, DONALD R[ICHARD], 23 Elmore, Gloucester, England	1953
L	SPINGARN, EDWARD D[ANIEL] W[OODBURY], 414 Jefferson St., Alexandria, Virginia	1924
	SPOFFORD, DR. WALTER R[ICHARDSON], II, Department of Anatomy, State University of New York Medical Center, Syracuse, New York . . .	1927
	SPRICK, MARGARET M[ORTON] [MRS. G. B.], 215 Santa Fe Ave., Hamden 14, Connecticut	1949
	SPRINGER, PAUL [FREDERICK], Patuxent Research Refuge, Laurel, Maryland	1941
F	SPRUNT, ALEXANDER, JR., The Crescent, Charleston 50, South Carolina (1923)	1950
	SPRUNT, ALEXANDER, IV, 693 Sutter St., San Francisco 2, California . . .	1950
M	SQUIRES, W[ILLIAM] AUSTIN, The New Brunswick Museum, Saint John, New Brunswick, Canada (1946)	1950
	STABLER, HAROLD B[Rooke], 6123 Broad Branch Rd., Washington 15, D. C.	1937
	STABLER, DR. ROBERT M[ILLER], Colorado College, Colorado Springs, Colorado	1940
	STACKPOLE, RICHARD, Wayland, Massachusetts	1937
	STAEBLER, DR. ARTHUR E[UGENE], W. K. Kellogg Bird Sanctuary, Hickory Corners, Michigan	1935
	STAGER, KENNETH EARL, Los Angeles County Museum, Exposition Park, Los Angeles 7, California	1942
	STAHL, MARJORETTA J[EAN], Kimberly, West Virginia	1949
	STALLCUP, WILLIAM B[LACKBURN], JR., Biology Department, Southern Methodist University, Dallas, Texas	1951
	STALOFF, CHARLES, 1776 Weeks Ave., Bronx 57, New York	1949
	STAMM, ANNE L. [MRS. FREDERICK W.], 2118 Lakeside, Louisville 5, Kentucky	1946
	STANLEY, DR. WILLARD F[RANCIS], State Teachers College, Fredonia, New York	1947
	STANSFELD, ALAN W[ORTHLEY], 414 N. Cedar, Allegan, Michigan	1953

	STANWELL-FLETCHER, MRS. JOHN F., [THEODORA C.], Dimock P. O., Pennsylvania.....	1933
	STANWOOD, MISS CORDELIA J[OHNSON], Birdsacre, High St., Ellsworth, Maine.....	1909
	STARK, EARL [VINCENT], 59 Chilton Rd., Toronto, Ontario, Canada.....	1948
	STARR, DR. ROBERT R[USSELL], Howard Clinic, Glasgow, Kentucky.....	1949
	STARRETT, ANDREW, Division of Mammals, Museum of Zoology, University of Michigan, Ann Arbor, Michigan.....	1949
	STATON, JACK, "Calidris," Doveridge Ave., Carlton, nr., Nottingham, England.....	1948
	STAUFFER, R[ALPH] S[TANLEY], 208 W. Irvin Ave., Hagerstown, Maryland	1949
	STEARNS, DR. EDWIN I[RA], 928 Grant Ave., North Plainfield, New Jersey	1945
	STEEL, WILLIAM C., 551 Morningside Dr., Miami Springs, Florida.....	1952
	STEFFEN, PHILIP N., 2135 Balmoral Ave., Chicago 25, Illinois.....	1949
	STEGEMAN, LEROY CALKINS, New York State College of Forestry, Syracuse 10, New York.....	1953
	STEILBERG, ROBERT HAYS, 555 Sunset Rd., Louisville, 6, Kentucky.....	1952
	STEIN, ROBERT C[ARRINGTON], 65 Wilton St., New Hyde Park, New York	1950
	STEIRLY, CHARLES C[ORNELL], Virginia Forest Service, Waverly, Virginia	1947
	STEPHENS, JAMES L[INLEY], JR., P. O. Box 841, Lumberton, North Carolina	1947
	STERN, HERBERT, JR., 2400 General Taylor St., New Orleans 15, Louisiana	1949
	STERNER, DR. LEWIS G[EORGE], Byberry Rd., Somerton, Philadelphia 16, Pennsylvania.....	1949
	STETTENHEIM, PETER, Reading, Vermont.....	1951
	STEVENS, C[ECIL] J[OHNSON], 2 Gordon Terrace, Lamb Park, Par, Cornwall, England.....	1948
	STEVENS, CHARLES E[LMO], JR., 426 Second St., N. E., Charlottesville, Virginia.....	1946
L	STEVENS, JOHN P., JR., Stevens Bldg., Broadway at 41st St., New York 36, New York.....	1939
	STEVENS, O[RIN] A[LVA], State College Station, Fargo, North Dakota....	1943
	STEVENSON, DR. HENRY M[ILLER], Department of Zoology, Florida State University, Tallahassee, Florida.....	1940
M	STEVENSON, JAMES O[SBORNE], Fish and Wildlife Service, Department of the Interior, Washington 25, D. C..... (1926)	1948
	STEWART, ORVILLE M[ILTON], P. O. Box 19, Fordham Branch, Bronx 58, New York.....	1950
	STEWART, MISS MILDRED, 2219 Devonshire Dr., Cleveland 6, Ohio.....	1946
L	STEWART, PAUL A[LVA], Department of Zoology and Entomology, Ohio State University, Columbus 10, Ohio.....	1928
M	STEWART, ROBERT EARL, Patuxent Research Refuge, Laurel, Maryland (1938)	1949
	STEWART, RONALD M., Massett, Queen Charlotte Islands, British Columbia, Canada.....	1947
	STICKNEY, ELEANOR HERRICK [Mrs. ALBERT, JR.], R. F. D., Rockfall, Connecticut.....	1933
	STILES, BRUCE F[LEMING], 601—10th St., West Des Moines, Iowa.....	1939
	STILLWELL, JERRY E., R. R. 2, Fayetteville, Arkansas.....	1934
	STIMSON, LOUIS A[LBERT], 1835 Opeechee Dr., Miami 45, Florida.....	1943
	STINE, MISS PERNA M., Box 386, Olney, Illinois.....	1936

	STIRRETT, GEO[RGE] M[ILTON], Canadian Wildlife Service, Old Arts Bldg., Queen's University, Kingston, Ontario, Canada	1948
	STITT, MERLE E., Grand Teton National Park, Moose, Wyoming	1952
	STIVERS, ELIZABETH JEANNE, 3720 Macomb St., N. W. (Apt. 202), Washington 16, D. C.	1947
	STODDARD, E[NOCH] V[INE], Gallup Lane, Waterford, Connecticut	1942
LF	STODDARD, HERBERT LEE, Sherwood Plantation, Thomasville, Georgia (1912)	1936
	STOKELY, JOHN M., 45 Marinita Ave., San Rafael, California	1952
	STOKES, ALLEN W., Department of Wildlife Management, U.S.A.C., Logan, Utah	1947
	STOLTENBERG, OTTO L., Florence Station, R. R. 2., Omaha 12, Nebraska	1949
	STONE, RUDOLPH H[EGER], 505 Bedford Rd., Schenectady 8, New York	1949
	STONER, MRS. C. BIRCH, 357 Hobart Ave., Short Hills, New Jersey	1944
L	STONER, MRS. DAYTON, 399 State St., Albany, New York	1946
	STONER, EMERSON A[USTIN], 285 E. "L" St., Benicia, California	1922
	STOPHLET, JOHN J[ERMAIN], 2612 Maplewood Ave., Toledo, Ohio	1937
	STORER, JOHN H[UMPHREYS], 579 Beaver St., Waltham, Massachusetts	1937
LF	STORER, DR. ROBERT W[INTHROP], Museum of Zoology, University of Michigan, Ann Arbor, Michigan (1935)	1952
M	STORER, DR. TRACY IRWIN, Division of Zoology, University of California, Davis, California (1916)	1922
	STORRIE, MISS ROBINA, 443 S. Corona St., Denver, Colorado	1941
	STOTT, KENHELM W[ELBURN], JR., Zoological Society of San Diego, Box 551, San Diego 12, California	1944
	STOUT, GARDNER D., 14 Wall St., New York 5, New York	1952
	STOUT, R. GWYNNE, Edge Hill, Glenn Rd., Ardmore, Pennsylvania	1940
	STRAHAN, MRS. ANNA, P. O. Box 293, Fort Klamath, Oregon	1953
	STRAW, RICHARD M[YRON], Rancho Santa Ana Botanic Garden, 1500 N. College Avenue, Claremont, California	1946
	STRAWBRIDGE, WILLIAM J[USTICE], Paoli, Pennsylvania	1951
M	STREET, PHILLIPS B[ORDEN], Exton, Pennsylvania (1946)	1952
L	STREHLOW, ELMER W., 520 E. Montana St., Milwaukee 7, Wisconsin	1945
	STRINGHAM, EMERSON, Box 986, Kerrville, Texas	1941
	STRONG, ALDEN M., c/o H. H. Roberts, Westport, Ontario, Canada	1952
F	STRONG, DR. REUBEN M[YRON], 5716 Stoney Island Ave., Chicago 37, Illinois (1889)	1949
	STRUTHERS, DANA R[OBERTSON], 4858 Fremont Ave., South, Minneapolis 9, Minnesota	1949
M	STUPKA, ARTHUR, Great Smoky Mountains National Park, Gatlinburg, Tennessee (1934)	1948
	STURDEVANT, CARLETON A[USTIN], R. D. 1, Prattsburg, New York	1949
L	STURGEON, MYRON T[HOMAS], Department of Geography and Geology, Ohio University, Athens, Ohio	1938
	STURGES, FRANKLIN W., 1587 Brook Lane, Corvallis, Oregon	1951
L	SUGDEN, MARTIN [JAMES JAFFREY], 16 Alexandra Blvd., Toronto 12, Ontario, Canada	1952
	SULLIVAN, ARTHUR, 197 Kingsway Ave., Winnipeg, Canada	1949
	SUMMERS, DR. LAWRENCE, c/o University of North Dakota, Grand Forks, North Dakota	1953

- M SUMNER, [EUSTACE] LOWELL, c/o National Park Service, 180 New Montgomery, San Francisco 5, California..... (1926) 1938
 SUMNER, RUTH A[LLERTON], 420 N. 48th St., Omaha 3, Nebraska..... 1949
 SUPER, RAYMOND R., 164 Maple Ave., Philadelphia 27, Pennsylvania... 1953
 SUTHARD, JAMES G[REGORY], 1881 Raymond Ave., Long Beach, California 1923
 LF SUTTON, DR. GEORGE MIKSCH, University of Oklahoma, Norman, Oklahoma..... (1910) 1936
 SWANK, WENDELL G[EORGE], 805 W. State Ave., Phoenix, Arizona..... 1951
 SWANSON, CARL V[ERNON], Starbuck, Washington..... 1952
 M SWANSON, DR. GUSTAV A., Fernow Hall, Cornell University, Ithaca, New York..... (1928) 1947
 SWEATMAN, G[ORDON] K[ENNETH], 40 Alpine Ave., Hamilton, Ontario, Canada..... 1950
 SWEDENBORG, E[RNIE] D[AVID], 4905 Vincent Ave., S., Minneapolis, Minnesota..... 1927
 SWEENEY, S[AMUEL] C[HADWICK], 26 Taylor St., Staunton, Virginia..... 1953
 SWEET, DR. HERMAN R., Department of Biology, Tufts College, Medford, Massachusetts..... 1942
 SWEET, W[ILLIAM] O[TIS], 175 Park St., Attleboro, Massachusetts..... 1943
 SWENK, JANE B. [MRS. M(YRON) H(ARMON)], 2435 "A" St., Lincoln 2, Nebraska..... 1945
 SWIFT, ISABEL H[OWLAND], 3 Hackett Circle W., Stamford, Connecticut.. 1949
 SWIGART, EDMUND K[EARSLEY], 608 Harbor Rd., Southport, Connecticut 1951
 SWINEBROAD, JEFF, P. O. Box 3008, University Station, The Ohio State University, Columbus, Ohio..... 1951
 SYMMES, THOMAS C[ECL] L[EYBURN], Box 844, Lusaka, Northern Rhodesia 1952
 M TABER, WENDELL, 3 Mercer Circle, Cambridge, Massachusetts... (1933) 1948
 TABOR, MISS AVA R[OGERS], 305 Canal Ave., Thibodaux, Louisiana..... 1937
 TAFT, ELIZABETH A., 504 N. Blakely St., Dunmore Station, Scranton, Pennsylvania..... 1940
 TAINTER, GRACE, 161 Einerson Pl., Brooklyn 5, New York..... 1952
 TAINTOR, ELIZABETH T[ABER], 11 Story St., Cambridge 38, Massachusetts 1949
 TALLMAN, WILLIAM S[WEET], JR., 4 Linden Pl., Sewickley, Pennsylvania.. 1942
 TALMADGE, ROBERT R., Box 71, Willow Creek, California..... 1947
 TANCOCK, [MONTAGUE] MONTY A., 425 Crocker Rd., Sacramento 19, California..... 1950
 TANGER, LOUISE F[ORNEY] A[RNOLD], 318 N. President Ave., Lancaster, Pennsylvania..... 1949
 TANGHE, LEO J[OSEPH], 852 Stone Rd., Rochester 16, New York..... 1949
 TANGUAY, ABBE RENE, Ste. Ann's College, Ste. Ann de la Pocatiere, Kamouraska Co., Quebec, Canada..... 1944
 M TANNER, DR. JAMES T[AYLOR], Department of Zoology, University of Tennessee, Knoxville, Tennessee..... (1933) 1947
 TASHIAN, RICHARD E[ARL], Biology Department, Long Island University, Brooklyn 1, New York..... 1949
 TASKER, RONALD REGINALD, 253 Old Orchard Grove, Toronto, 12, Ontario, Canada..... 1952
 TAYLOR, HERBERT S[TANTON], 1369 Fair Ave., Columbus 5, Ohio..... 1948
 TAYLOR, LAURETTA REID [MRS. G. L.], 622 W. 26 St., Kearney, Nebraska 1952
 TAYLOR, DR. LEWIS WALTER, Department of Poultry Husbandry, University of California, Berkeley, California..... 1925

	TAYLOR, DR. R[OBERT] L[INCOLN], 810 Highland Dr., Flintridge, Pasadena 3, California	1947
M	TAYLOR, DR. WALTER PENN, 424 W. Harrison Ave., Claremont, California (1916)	1950
	TAYLOR, WILLIAM E., 121 E. Remington Rd., Ithaca, New York	1952
	TEACHENOR, DIX, 1020 W. 61st St., Kansas City 2, Missouri	1919
	TEALE, EDWIN WAY, 93 Park Ave., Baldwin, Long Island, New York	1947
	TEASDALE, ALICE F. [MRS. E. R.], 7436 S. Colfax Ave., Chicago 49, Illinois	1950
	TEMPLEMAN, DR. WILFRED, Newfoundland Fisheries Research Station, St. John's, Newfoundland	1941
	TENER, JOHN S[IMPSON], Canadian Wildlife Service, National Parks Branch, Department of Resources and Developments, Ottawa, Ontario, Canada	1949
	TENNIS, HALL, Rt. 2, Box 98, Maitland, Florida	1953
	TERRES, J[OHN] KENNETH, 345 E. 57th St., New York 22, New York	1934
	TERRILL, MRS. ELIZABETH E[DITH], Ulverton, Quebec, Canada	1951
M	TERRILL, LEWIS MCIVER, Ulverton, Quebec, Canada (1907)	1947
M	TERRY, MRS. R. A. [MARY ELLA MCCLELLAN DAVIDSON], 1521 Escobita Ave., Palo Alto, California (1920)	1932
	TERRY, DR. ROBERT J[AMES], University Club, St. Louis, Missouri	1919
	THACHER, LOUIS B[ARTLETT], JR., 565 Gay St., Westwood, Massachusetts	1931
	THAELER, CHARLES S[CHROPP], JR., Earlham College, Richmond, Indiana	1953
	THATCHER, DONALD M[ASON], 2916 Perry St., Denver 12, Colorado	1946
	THELEN, HUBERT JOSEPH, 839 Carroll St., Brooklyn 15, New York	1947
M	THOMAS, DR. EDWARD S[INCLAIR], Ohio State Museum, Columbus 10, Ohio (1922)	1941
	THOMAS, EVAN GOWER, 3001 Dickinson St., Camp Hill, Pennsylvania	1952
	THOMAS, GERALD B[AMBER], 5161 S. Western Ave., Los Angeles 62, California	1949
	THOMAS, LONDON B., P. O. Box 141, Edgerton, Wisconsin	1947
	THOMAS, RAY, 600 Sarbonne Rd., Los Angeles 24, California	1951
M	THOMAS, RUTH HARRIS [MRS. ROWLAND], 410 E. Green St., Morrilton, Arkansas (1935)	1950
	THOMPSON, DANIEL Q[UALE], Wildlife Conservation Bldg., Columbia, Missouri	1949
	THOMPSON, DAVID E[DGAR], Rt. 1, Leonard, North Dakota	1949
	THOMPSON, JAMES D[ILLEV], JR., 509½ Polk St., Amarillo, Texas	1951
	THOMPSON, PETER HEARNE, 10837—128th St., Edmonton, Alberta, Canada	1953
	THOMPSON, WILLIAM LAY, Department of Zoology, University of California, Berkeley 4, California	1953
	THOMSON, ISABEL A., 5939 Shafter Ave., Oakland 18, California	1952
	THORLEY, ROBERT F., 3 Midland Gardens, Bronxville 8, New York	1947
	THORNBURG, ASHLEY A[LVIN], 307 South Wheeler, Victoria, Texas	1950
I	THORNE, OAKLEIGH, II, Box 347, Islip, Long Island, New York	1947
	THORNTON, WILMOT A[RNOLD], 124 Washington St., So. Norwalk, Connecticut	1949
	THORP, GEORGE B[OULTON], 1970 Massachusetts Ave., Lexington, Massachusetts	1935

	THORSON, THOMAS B[ERTEL], Department of Zoology, San Francisco State College, San Francisco 2, California.....	1948
	THURSTON, HENRY, Box 214, Montrose, New York.....	1947
	TODD, H[ENRY] O[LIVER], JR., P. O. Box 259, 105 Spring St., Masonic Bldg., Murfreesboro, Tennessee.....	1939
F	TODD, W[ALTER] E[DMOND] CLYDE, Carnegie Museum, Pittsburgh 13, Pennsylvania..... (1890)	1916
	TOMICI, P[ROSPER] QUENTIN, 204 Doroco Dr., Salinas, California.....	1945
M	TOMKINS, IVAN REXFORD, 1231 E. 50th St., Savannah, Georgia... (1928)	1939
	TOMPKINS, VICTOR N[ORMAN], 524 Madison Ave., Albany 3, New York... (1949)	1949
	TONER, GEORGE CLIVE, Highland Grove, Ontario, Canada.....	1948
M	TORDOFF, DR. HARRISON B., Museum of Natural History, University of Kansas, Lawrence, Kansas..... (1944)	1951
L	TOUSEY, MISS KATHARINE, 22 Grand View Ave., Somerville 43, Massachusetts.....	1935
	TOUSEY, DR. RICHARD, 6625 Oxon Hill Rd., S. E., Washington 21, D. C....	1943
	TOWE, J[AY] TROY, Route 5, Box 143, Mt. Airy, North Carolina.....	1949
	TOWNES, GEORGE F[RANKLIN], 500 Sumner St., Greenville, South Carolina	1953
	TOWNSEND, DAVID CALDOW, Economics Department, University of Houston, Houston, Texas.....	1953
	TOWNSEND, MISS ELSIE W., Department of Biology, Wayne University, Detroit 1, Michigan.....	1951
	TRAINER, JOHN E[ZRA], Muhlenberg College, Department of Biology, Allentown, Pennsylvania.....	1937
	TRASK, DR. PARKER DAVIES, 240 Southampton Ave., Berkeley 7, California.....	1936
M	TRAUTMAN, DR. MILTON BERNARD, Stone Laboratory, Put-in-Bay, Ohio (1924)	1940
M	TRAYLOR, MELVIN ALVAH, JR., 759 Burr Ave., Winnetka, Illinois.. (1940)	1950
	TRIVETTE, EDWARD C[ARROLL], Department of Zoology, The State College of Washington, Pullman, Washington.....	1950
	TROST, CHARLES HENRY, 3915 W. Lake Rd., Erie, Pennsylvania.....	1953
	TROWERN, ROBERT WILSON, 42 Van Dusen Blvd., Toronto, Ontario, Canada.....	1947
	TRYON, CLARENCE ARCHER, JR., Department of Biological Sciences, University of Pittsburgh, Pittsburgh 15, Pennsylvania.....	1947
L	TUCKER, CARLL, Mt. Kisco, New York.....	1929
L	TUCKER, MRS. CARLL, 733 Park Ave., New York, New York.....	1924
	TUCKER, ROBERT E[DWARD], 245 N. Auburndale St., Memphis, Tennessee	1944
	TUCKER, MRS. ROBERT L., JR. [KATHARINE POISEL], 15 East St., Fairport, New York.....	1948
L	TUFTS, DR. HAROLD F[REEMAN], Port Mouton, Queen's County, Nova Scotia, Canada.....	1947
	TULINOFF, A[NTONINE], V., 1255 Wyoming Ave., Niagara Falls, New York	1949
	TURNER, JAMES H[OWARD], 803 N. Wahsatch Ave., Colorado Springs, Colorado.....	1951
M	TWOMEY, DR. ARTHUR C[ORNELIUS], Carnegie Museum, Pittsburgh, Pennsylvania..... (1930)	1946
	TYLER, BREWSTER, P[HILLIPS], 215 W. Unaka Ave., Johnson City, Tennessee.....	1934

	TYLER, JOHN G[RIPPER], 1115 Thorn Ave., Fresno, California.....	1939
	TYLER, MILDRED A[LLEN], 50 Morningside Park, Springfield 8, Massachusetts.....	1951
LF	TYLER, DR. WINSOR MARRETT, Hotel Beaconsfield, Beacon St., Brookline 46, Massachusetts..... (1912)	1950
	TYRRELL, W[ILLIAM] BRYANT, 246 Park Ave., Takoma Park 12, Maryland	1940
	UDVARDY, DR. MIKLOS DEXSO FERENC, Department of Zoology, University of British Columbia, Vancouver, British Columbia.....	1953
M	UHLER, FRANCIS M[OREY], Fish and Wildlife Service, Patuxent Research Refuge, Laurel, Maryland..... (1924)	1937
	ULRICH, MRS. ALICE E., 193 LaSalle Ave., Buffalo, New York.....	1935
	ULRICH, EDWARD C., 193 LaSalle Ave., Buffalo, New York.....	1935
L	UNDERDOWN, HENRY T[ENER], 8216 Manor Rd., Elkins Park, Pennsylvania.....	1921
	USSHER, R[ICHARD] D[AVEY], 101 Grandview Ave., Newtonbrook P. O., Ontario, Canada.....	1931
	VAIDEN, M[EREDITH] GORDON, Box 248, Rosedale, Mississippi.....	1936
	VAN ARSDALL, DR. C[HARLES] A[LLEXANDER], 1024 Beaumont Ave., Harrodsburg, Kentucky.....	1949
	VAN CLEVE, THOMAS C[URTIS], 76 Federal St., Brunswick, Maine.....	1951
	VANDERMEER, B[ILLY] L[EE], 239 Paramount Ave., Salt Lake City, Utah..	1951
	VAN DEUSEN, HOBART MERRITT, 12 Highland Ave., Montclair, New Jersey	1937
	VAN DYKE, TERTIUS, Avalon Cottage, Princeton, New Jersey.....	1930
	VAN ESELTYNE, WILLIAM PARKER, Department of Veterinary Hygiene, School of Veterinary Medicine, University of Georgia, Athens, Georgia.....	1944
L	VAN FLEET, CLARK C., Box 696, Lakeport, Lake County, California.....	1947
	VAN HORN, DONALD H., 35 N. Ashland Ave., La Grange, Illinois.....	1952
	VAN HUIZEN, PETER J., White River National Wildlife Refuge, St. Charles, Arkansas.....	1939
	VAN IZIENDOORN, A[NTONIUS] L[AMBERTUS] J[OHAN], Korenmarkt 1, Hoorn, Holland.....	1950
HL	VAN NAME, WILLARD GIBBS, American Museum of Natural History, Central Park West at 79th St., New York 24, New York.....	1900
	VAN TYNE, DR. HELEN BATES [MRS. JOSSELYN], 405 Awixa Rd., Ann Arbor, Michigan.....	1950
LF	VAN TYNE, DR. JOSSELYN, University of Michigan Museum of Zoology, Ann Arbor, Michigan..... (1922)	1936
	VARNEY, B[ENJAMIN] EARL, 314 Maine St., Brunswick, Maine.....	1947
	VAUGHAN, WILLIAM C[OLEMAN], Locust Grove Farm, River Road, Youngstown, New York.....	1935
M	VAURIE, DR. [AUGUSTE JEAN] CHARLES, American Museum of Natural History, Central Park West at 79th St., New York 24, New York..... (1944)	1949
	VERGES, EUGENE M[ARCELIN], II, 1126 Beacon St., Brookline, Massachusetts.....	1931
	VERNON, DR. JAMES W[ILLIAM], Broadoaks Sanatorium, Morganton, North Carolina.....	1937
	VITZ, PAUL C[LAYTON], 818 Dunore Rd., Cincinnati 20, Ohio.....	1951
M	VOGT, WILLIAM W., 36 E. 68th St., New York 22, New York..... (1928)	1936

	VOLLMAR, MRS. R[HEA] LEWIS, 6138 Simpson Ave., St. Louis 10, Missouri	1949
	VON BLOEKER, JACK C[HRISTIAN], JR., Life Sciences Department, Los Angeles City College, Los Angeles 29, California	1941
	VON DER HEYDT, JAMES A[RNOLD], P. O. Box 156, Nome, Alaska	1953
	VONGLAHN, JOHN H[ERBERT], 204 Water St., New York 38, New York	1952
	VORE, MARVIN E[LMER], 1128 N. 8th Ave., West Bend, Wisconsin	1949
	WACHENFELD, MRS. WILLIAM A., 787 E. Clarke Pl., Orange, New Jersey	1953
	WADE, DOUGLAS EDWARD, Wigington St., Clemson, South Carolina	1946
	WADE, JOSEPH SANFORD, Argonne Apts., 1629 Columbia Rd., N. W., Washington 9, D. C.	1929
	WAGNER, MRS. C[ARY] R[ICHARD], South Lane Farm, Utica, Ohio	1950
	WAGNER, MRS. EDNA R[OBISON], 5115 Cass, Omaha 3, Nebraska	1951
	WAGNER, MRS. JULIA E[LIZABETH], 818 E. Boulder St., Colorado Springs, Colorado	1949
	WAINWRIGHT, C[ARROLL] L[IVINGSTON], JR., One East End Ave., New York 21, New York	1950
	WALCOTT, DR. CHARLES F., 81 Sparks St., Cambridge 38, Massachusetts	1952
	WALCOTT, ROBERT, 912 Barristers Hall, Pemberton Square, Boston, Massachusetts	1924
	WALDBAUER, GILBERT PETER, 337 Benham Ave., Bridgeport, Connecticut	1945
L	WALGREEN, MRS. CHARLES R., 3240 Lake Shore Dr., Chicago 13, Illinois	1951
	WALKER, ALAN N[EWTON], 15480 Holmur, Detroit 21, Michigan	1952
M	WALKER, DR. CHARLES F[REDERICK], Museum of Zoology, University of Michigan, Ann Arbor, Michigan	(1927) 1944
	WALKER, JASON A[LISON], 89 Church St., Waterloo, New York	1948
	WALKER, MRS. RICHARD D[EXTER], 78 Farlow Rd., Newton 58, Massachusetts	1953
	WALKER, DR. ROLAND, Rensselaer Polytechnic Institute, Biological Laboratory, Troy, New York	1924
LF	WALKINSHAW, DR. LAWRENCE H[ARVEY], 1703 Wolverine Tower, Battle Creek, Michigan	(1929) 1951
M	WALLACE, DR. GEORGE J[OHN], 517 Ann St., East Lansing, Michigan	(1935) 1945
	WALLACE, ROY FREDERICK, 63 Dupont St., Toronto, Ontario, Canada	1947
	WALLER, SAM[UEL], Indian School, The Pas, Manitoba, Canada	1949
	WALLMO, OLOF CHARLES, Box 254 F.E., College Station, Texas	1953
	WALTER, CEDRIC N[ORMAN], 32 Stanley Ave., Beckenham, Kent, England	1948
	WALTER, MRS. HERBERT EUGENE [ALICE E.], 67 Oriole Ave., Providence 6, Rhode Island	1938
	WALTERS, FRANK, Hollis, New Hampshire	1902
	WALTHO, E., 140 Balliol St., Toronto 12, Ontario, Canada	1952
	WANAMAKER, JOHN, Principia College, Elsau, Illinois	1946
	WANEK, MRS. ERNEST E. [ANNA N.], 5 Davidson Ave., Ramsey, New Jersey	1953
	WANG, DR. YANG, Massachusetts General Hospital, Boston 14, Massachusetts	1953
	WANLESS, HAROLD R., 127 Natural History Bldg., University of Illinois, Urbana, Illinois	1947
	WANZER, JAMES OLIN, 3601—56th St., Sacramento 20, California	1947
	WARD, ARTHUR, 375—7th East, Swift Current, Saskatchewan, Canada	1950

	WARD, CHARLES L[AKEMAN], JR., 15 Monument St., Concord, Massachusetts.....	1950
	WARFIELD, BEN[JAMIN] BRECKINRIDGE, 3223 Volta Pl., N. W., Washington 7, D. C.....	1930
	WARHAM, JOHN, c/o Mrs. E. A. James, "Corynia," Upper Kalgan River, Albany, W. Australia.....	1952
	WARING, JOHN D., Anzac, Alberta, Canada.....	1953
M	WARNER, DR. DWAIN W., Museum of Natural History, University of Minnesota, Minneapolis 14, Minnesota..... (1942)	1951
	WARTERS, MISS MARY ELLEN, 5115 Woodland Ave., Des Moines 12, Iowa	1951
	WASHINGTON, MRS. WHITING, Trail's End, North Edgcomb, Maine....	1947
	WASS, MARVIN F., Mullet Key, Pass-a-grille, Florida.....	1952
	WASSERFALL, WILLIAM, 22 Roycrest Ave., Lansing, Ontario, Canada....	1952
	WATERMAN, RALPH T[EN EYCK], Meadow Rd., Poughkeepsie, New York	1947
	WATSON, C[HARLES] G[RAY], 201 Ridout St., S., London, Ontario, Canada	1919
	WATSON, CHARLES NELLES, JR., 421 Wolf's Lane, Pelham Manor 65, New York.....	1952
	WATSON, FRANK G[RAHAM], 4110 Drummond St., Houston 25, Texas....	1936
	WATSON, ROBERT J., Box 75, Blacksburg, Virginia.....	1947
	WAYLAND-SMITH, ROBERT, 137 Kenwood Ave., Oneida, New York.....	1953
	WEART, MISS EDITH I[UCIE], 35-36 76th St., Jackson Heights, New York	1946
	WEAVER, JACK F[REDERICK], Providence Rd., Box 20C, R. F. D. 6, Towson 4, Maryland.....	1949
	WEAVER, MISS MADELINE M[ARY], 161 Norton St., Rochester 21, New York.....	1953
	WEBER, FREDERICK JULES, East End Cottage, Rockerfeller Refuge, Grand Chenier, Louisiana.....	1953
	WEBER, JAY A[NTHONY], 1400 N. E. 108th St., Miami 38, Florida.....	1907
	WEBSTER, CLARK G[IBBONS], Patuxent Research Refuge, Laurel, Maryland	1948
	WEBSTER, HARRY REID, Room 433, Post Office Bldg., Edmonton, Alberta, Canada.....	1949
	WEBSTER, DR. J[ACKSON] DAN, Hanover College, Hanover, Indiana.....	1941
	WEBSTER, KARL B[LISS], 57 Webster Park Ave., Columbus 2, Ohio.....	1949
	WEBSTER, RANDALL, 341 Western Ave., Brookville, Pennsylvania.....	1937
	WEEKS, MANGUM, 219 N. Royal St., Alexandria, Virginia.....	1938
	WEISE, CHARLES M[ARTIN], Vivarium Bldg., University of Illinois, Urbana, Illinois.....	1948
	WEISER, CHARLES S[PANGLER], Wyndham Hills, York, Pennsylvania....	1916
	WEISER, VIRGIL LEONARD, 538 W. Villard, Dickinson, North Dakota....	1947
	WELLER, MILTON W[EBSTER], Wildlife Cons. Bldg., Columbia, Missouri..	1952
L	WELLING, YENS M., 1828 E. 5th St., Anderson, Indiana.....	1924
	WELLINGS, S[EFTON] R[OBERT], P. O. Box 518, Poulso, Washington....	1949
	WELLS, LARUE, 212 W. Hewitt, Marquette, Michigan.....	1952
	WELTY, [JOEL] CARL, R. 1, Beloit, Wisconsin.....	1948
	WENDT, LORINA M., 3701 Jenifer St., N. W., Washington 15, D. C.....	1946
	WERNER, RAY C[OWLES], 758 Wildwood Rd., N. E., Atlanta, Georgia....	1947
	WERNER, MRS. TYRRELL H., 100 Tolman St., Cumberland Mills, Maine..	1952
	WERNICKE, MRS. J. F. [MALETA MOORE], Gull Point, Escambia Co., Florida.....	1946
	WESSELING, KURT [PAUL], JR., 243 Orrick Lane, Kirkwood 22, Missouri..	1949

	WEST, MRS. E[UGENE] M., [ADELE H(OOKER)], 1625-S Clayton Ave., Chattanooga 4, Tennessee	1951
	WEST, GEORGE C[URTISS], 56 Tyler Terrace, Newton Center 59, Massachusetts	1951
	WEST, HENRY C[LOPTON], 5820 Crittenden Ave., Indianapolis 21, Indiana	1950
	WEST, JULIUS DAVID, 373 Marf Ave., Lakeview, Ontario, Canada	1947
M	WESTON, FRANCIS MARION, 2006 E. Jordan St., Pensacola, Florida . . (1925)	1933
	WESTON, HENRY G[RIGGS], JR., Department of Biology, Grinnell College, Grinnell, Iowa	1943
	WESTON, ROBERT, Old Ferry Road, North Castine, Maine	1946
	WETHERBEE, DAVID KENNETH, 11 Dallas St., Worcester, Massachusetts . .	1945
	WETHERBEE, MRS. KENNETH B[RACKETT], 11 Dallas St., Worcester, Massachusetts	1929
LF	WETMORE, DR. ALEXANDER, Smithsonian Institution, Washington 25, D. C. (1908)	1919
	WEYDEMEYER, WINTON [WILLIAM], Fortine, Montana	1925
	WEYL, EDWARD S[TERN], 3827 The Oak Road, Philadelphia 29, Pennsylvania	1921
L	WHARTON, WILLIAM PICKMAN, Groton, Massachusetts	1907
	WHEATLAND, MISS SARAH B[IGELOW], 99 Howe St., New Haven, Connecticut	1951
	WHELAN, MARY-ELIZABETH, 215 Catherine, Muskegon, Michigan	1951
	WHIGHAM, MRS. ANDREW L[EE], P. O. Box 235, Century, Florida	1939
	WHITAKER, JAMES LONG, Adams Ave. and Tabor Rd., Philadelphia 20, Pennsylvania	1946
	WHITAKER, MRS. LOVIE M., 1204 W. Brooks St., Norman, Oklahoma	1952
	WHITCOMB, PEMBERTON, 130 Cedar St., New York 6, New York	1948
	WHITE, DR. GORDON B[RAINERD], 239 Sugar Loaf St., Port Colborne, Ontario, Canada	1949
	WHITE, KEITH L[YNDE], Eldorado, Wisconsin	1951
	WHITING, ROBERT A[RCHIE], 2521 Cobb Rd., Jackson, Michigan	1949
	WHITMAN, F[RANK] BURTON, JR., MerePoint Rd., Brunswick, Maine	1951
	WHITNEY, DR. NATHANIEL RUGGLES, JR., 20 Oak St., Glendale, Ohio	1947
	WHITTLES, DR. LEE JAY, 2205 Main St., Glastonbury, Connecticut	1951
	WICKE, A[LFRED] F[REDERICK], JR., 1515 N. "A" St., Pensacola, Florida . .	1949
	WICKS, MRS. JUDSON L. [GERTRUDE PERROTT], 2615 Park Ave., Apt. 407, Minneapolis 7, Minnesota	1922
	WICKSTROM, GEORGE M[ARTIN], 2293 Harding Ave., Muskegon, Michigan	1951
	WIEBUSH, JOSEPH ROY, 3113 Lancer Dr., Hyattsville, Maryland	1952
	WIEDEL, DR. PHILIP D[RESSLER], 1030 Fifth Ave., New York 38, New York	1950
	WILCOX, DR. HARRY H[AMMOND], JR., 769 University St., Memphis 7, Tennessee	1938
	WILCOX, STEPHEN LEROY, Speonk, Long Island, New York	1927
HL	WILCOX, THOMAS FERDINAND, Smith Ridge, New Canaan, Connecticut,	1895
	WILDER, T[HOBODORE] G[ARFIELD], 125 Oxford Rd., Waukesha, Wisconsin . .	1946
	WILES, DR. HAROLD O[LIVER], 537 Campbell Ave., Kalamazoo, Michigan	1939
	WILHELM, EUGENE J., JR., 4725 Lee Ave., St. Louis 15, Missouri	1953
	WILK, ALBERT L[AWRENCE], R. R. No. 2, Camrose, Alberta, Canada	1936
M	WILLIAMS, C[ECIL] S[LOAN], Fish and Wildlife Service, Department of the Interior, Washington 25, D. C. (1937)	1950

	WILLIAMS, CLETIS, Poultry Department, University of Wisconsin, Madison, Wisconsin	1953
	WILLIAMS, EDWARD A[LEXANDER], 1415 Pullan Ave., Cincinnati 23, Ohio	1950
	WILLIAMS, ELLISON A[DGER], 27 Limehouse St., Charleston, South Carolina	1923
	WILLIAMS, MRS. ELMA F., Box 293, Aurora, Ontario, Canada	1952
M	WILLIAMS, GEORGE G., The Rice Institute, Houston 1, Texas (1944)	1952
	WILLIAMS, HELEN J[ACKSON], Arlington Towers, 129 North Arlington Ave., Apt. 4T, East Orange, New Jersey	1950
M	WILLIAMS, LAIDLAW [ONDERDONK], R. F. D., Route 1, Box 152, Carmel, California (1919)	1949
	WILLIAMS, LOLA E[THEL], 3716 Cumings, Apt. No. 4, Omaha, Nebraska . .	1948
L	WILLIAMS, RALPH BEN, Box 2354, Juneau, Alaska	1942
	WILLIAMS, RAYMOND E[WELL], P. O. Box 193, Hawthorne, California . . .	1950
	WILLIAMS, WILLIAM E[RNEST], 218 Glen Park Ave., Toronto 10, Ontario, Canada	1951
	WILLIAMSON, FRANCIS [SIDNEY] L[ANIER], Museum of Vertebrate Zoology, Berkeley, California	1949
	WILLIS, CORNELIUS G[RINNELL], 1 Carter Ave., Sierra Madre, California . .	1948
	WILLIS, EDWIN [O'NEILL], 1631 Gail Rd., Baltimore 21, Maryland	1952
	WILLIS, MYRA G., 1726—4th Ave., S. E., Cedar Rapids, Iowa	1949
	WILLMS, A[LBERT] GEORGE, Route 2, Urbana, Illinois	1952
	WILLOUGHBY, JOHN E[RNEST], 8402 Barron St., c/o Veterans Administration Hospital, Ann Arbor, Michigan	1947
	WILLS, CAMILLA LOUISE, 1601 Grady Ave., Charlottesville, Virginia	1952
	WILMOTH, JAMES H[ERDMAN], Harpur College of State University of New York, Endicott, New York	1949
	WILSON, ARCHIE F[RANCIS], 1322 Braeburn, Flossmoor, Illinois	1937
	WILSON, BRUCE V., 815 N. Chipman St., Owosso, Michigan	1947
	WILSON, HAROLD C., Ephraim, Wisconsin	1946
	WILSON, JERALD [JUNIOR], Lower Souris Refuge, Upham, North Dakota . .	1951
	WILSON, ROWLAND S[TEELE], USNR, Amphibious Group Three, F. P. O. San Francisco, California	1948
	WILSON, VANEZ T., Bear River Migratory Bird Refuge, Brigham, Utah . . .	1947
	WILSON, WINIFRED EDITH, 231 Elm Ave., Westmount, Quebec, Canada . .	1947
L	WINEMAN, ANDREW, 150 Michigan Ave., Detroit 26, Michigan	1932
	WING, MRS. ANNE HINSHAW, R. F. D. 1, East Brady, Pennsylvania	1948
	WING, HAROLD F., 7165 Bunker Hill Rd., Jackson, Michigan	1942
M	WING, DR. LEONARD W[ILLIAM], R. F. D. 1, East Brady, Pennsylvania (1929)	1945
	WINGATE, DAVID B[ALCOMBE], Aldie, Smith's Parish, Bermuda	1951
	WINN, H[OWARD] ELLIOTT, Museum of Zoology, University of Michigan, Ann Arbor, Michigan	1946
	WINN, DR. HUDSON S[UMNER], Department of Biology, New York State College for Teachers, Albany 3, New York	1949
M	WITSCHL, DR. EMIL, University of Iowa, Iowa City, Iowa (1939)	1946
	WOLFARTH, FLOYD P[ARKER], 133 High St., Nutley, New Jersey	1937
M	WOLFE, L[LOYD] R[AYMOND], Route No. 1, Box 228-A, Kerrville, Texas (1929)	1951
F	WOLFSON, DR. ALBERT, Northwestern University, Evanston, Illinois (1941)	1952

- WOLK, ROBERT G[ORGE], Laboratory of Ornithology, Cornell University,
Ithaca, New York 1952
- WOOD, CHARLES, 159 Summit St., East Providence 14, Rhode Island 1950
- WOOD, DALE T[HACKER], 636 Cortez Ave., Vista, California 1949
- WOOD, DR. HAROLD BACON, 3016 N. Second St., Harrisburg, Pennsylvania 1929
- WOOD, MERRILL, Zoology Department, Pennsylvania State College,
State College, Pennsylvania 1927
- WOOD, RAWSON L[YMAN], 5 Bonnie Heights Rd., Manhasset, New York . . 1942
- M WOODBURY, DR. ANGUS MUNN, 248 University St., Salt Lake City 2, Utah
(1942) 1950
- WOODFORD, JAMES [JIM] K., 233 Roehampton Ave., Toronto 12, Ontario,
Canada 1953
- L WOODS, ROBERT, P. O. Drawer 32, Covina, California 1926
- L WOODWARD, MISS BARBARA, Rockwood, Maine 1946
- L WOODWARD, SARAH J[ONES], 33 Warren St., Concord, New Hampshire . . 1950
- WOOLDRIDGE, JASPER, 2942 Copper St., El Paso, Texas 1952
- WOOLFENDEN, GLEN EVERETT, 748 St. Marks Ave., Westfield, New Jersey 1947
- WOOLFENDEN, MRS. HARRIET B[ERGOLD], Ter. 6, 4600 Firestone Ave.,
Dearborn 2, Michigan 1951
- WOOLMAN, EDWARD, Haverford, Pennsylvania 1925
- WOOTEN, WILLIAM A[NDRUS], 3167 Glen St., Eureka, California 1951
- WORKMAN, WILLIAM HUGHES, Lismore, Windsor Ave., Belfast, Ireland 1928
- WORTH, DR. C[HARLES] BROOKE, c/o Rockefeller Foundation, P. O. Box
11, Poona 1, India 1927
- WORTHAM, MARSHALL ROSS, 905 W. 6th St., Weslaco, Texas 1950
- WORTHLEY, DR. ELMER G., Libertytown, Maryland 1953
- M WRIGHT, DR. ALBERT H[AZEN], 113 E. Upland Rd., Ithaca, New York
(1906) 1919
- WRIGHT, A[LBERT] J[AY], 2ND, c/o J. S. Bache & Co., Ellicott Square,
Buffalo, New York 1940
- L WRIGHT, BRUCE S[TANLEY], Northeastern Wildlife Station, University of
New Brunswick, Fredericton, New Brunswick, Canada 1946
- WRIGHT, HOWARD F[ORD], 3604 N. Temple Ave., Indianapolis 18, Indiana 1949
- WRIGHT, JOHN T[HOMAS], R. R. 5, Box 618, Tucson, Arizona 1947
- WRIGHT, DR. PHILIP L., Montana State University, Missoula, Montana . . 1942
- WYATT, GRACE, College Station, Murray, Kentucky 1949
- WYCOFF, DR. RAY S[HEPPARD], 106 W. 7th St., Lexington, Nebraska . . . 1949
- WYLIE, WILLIAM LEWIS, 1310 National Rd., Wheeling, West Virginia. 1949
- WYNNE, JAMES, Enderby, British Columbia, Canada 1953
- LM WYNNE-EDWARDS, V[ERO] C[OPNER], Natural History Department, Mari-
schal College, University of Aberdeen, Aberdeen, Scotland . (1930) 1936
- YATSUHASHI, DR. MASAO, 66 Beals St., Brookline 46, Massachusetts . . . 1941
- YEATMAN, HARRY C[LAY], Department of Biology, University of the South,
Sewanee, Tennessee 1947
- M YEATER, DR. RALPH EMERSON, Illinois State Natural History Survey,
Urbana, Illinois (1926) 1948
- YOCOM, DR. CHARLES F[REDERICK], Game Management Department,
Humboldt State College, Arcata, California 1947
- YOHE, WALTER E[DWIN], 688 Cherry St., Columbia, Pennsylvania 1949
- YOUNG, DR. HOWARD FREDERICK, Department of Biology, West Illinois
State College, Macomb, Illinois 1947

	YOUNG, J. ADDISON, II, 60 Argyle Ave., New Rochelle, New York.	1949
	YOUNG, MRS. L. Z., 323 N. 12 Ave., Broken Bow, Nebraska.	1952
	YURICH, HARRY, 948 W. 4th St., Hazleton, Pennsylvania.	1953
	ZAHNISER, HOWARD, 6222 43rd Ave., Hyattsville, Maryland.	1935
F	ZIMMER, DR. JOHN T[ODD], American Museum of Natural History, Central Park West at 79th St., New York 24, New York. (1908)	1933
	ZIMMERMAN, DALE A., 480 N. Almont Ave., Imlay City, Michigan.	1946
	ZIMMERMAN, HAROLD ALEXANDER, 2218 N. Linden St., Muncie, Indiana	1929
	ZIMMERMAN, JAMES H[ALL], 2114 Van Hise Ave., Madison 5, Wisconsin. . .	1949
	ZULL, CHARLES VINCENT, Smith's Parish, Bermuda.	1953
	ZULOAGA, DR. GUILLERMO, Creole Petroleum Corporation, Apartado 889, Caracas, Venezuela, South America.	1951



MAURICE BROUN has more than 30 years' experience as a naturalist, with principal activities in conservation and the development of wildlife sanctuaries in five states. He is recipient of a D.Sc. from Muhlenberg College, in 1952, for achievements in conservation. Author of "*Hawks Aloft*," in which he tells of his pioneer work at Hawk Mountain Sanctuary, and of the "*Index to North American Ferns*."

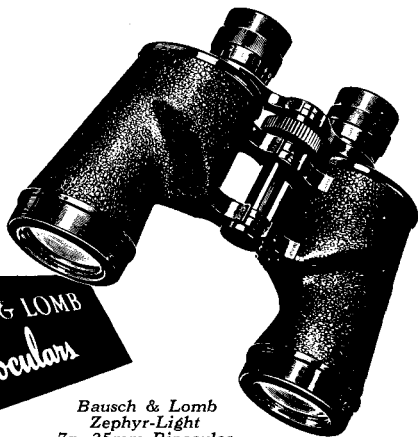
"Razor-sharp, brilliant close-ups . . ."

WRITES MAURICE BROUN: "I have owned and used many types of binoculars. Nothing completely satisfied me until I acquired my 9x, 35 mm. Bausch & Lomb, the *ultima Thule* in binoculars. The razor-sharp, brilliant close-ups, attainable with this glass, under every condition of light, bring fresh excitement to my daily observation of wildlife."

Maurice Broun

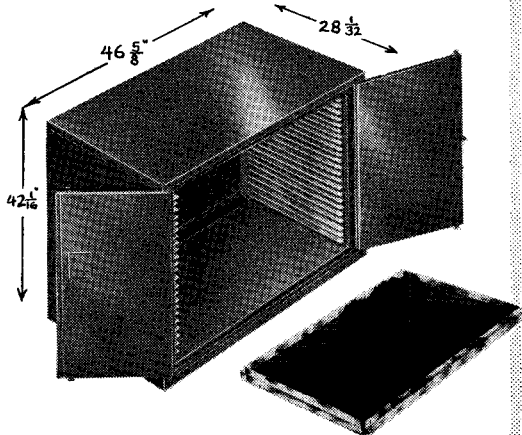
WRITE FOR FREE CATALOG.

32 pages of useful information you should know before you buy any binocular. Tells how to select a glass for your own use. Bausch & Lomb Optical Co., 12222 Lomb Park, Rochester 2, N. Y.



BAUSCH & LOMB
Binoculars

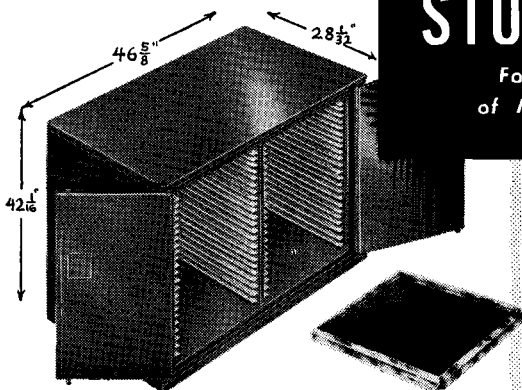
*Bausch & Lomb
Zephyr-Light
7x, 35mm Binocular
Balcoted Optics
\$186, Federal Tax incl.*



Skin Case #201 for Large Trays

**SKIN CASES
FOR
MAXIMUM
PROTECTION
CONVENIENCE
ECONOMY!**

Lane



Skin Case #202 for Small Trays

ZOOLOGICAL AND ORNITHOLOGICAL

SPECIMEN STORAGE CASE

*For Protective Storage
of Mammal & Bird Skins*

- Locked "Live Rubber" Seal
- Sturdy double panel doors
- Locking mechanism secures both doors
- Tray guides permit maximum position of tray positions
- Fumigant Compartment
- Specimen Trays of aluminum and masonite — light weight — easy to handle.

FOR ILLUSTRATED BROCHURE WRITE

Institutional Division

CHAS J *Lane* CORP

105 CHAMBERS STREET, NEW YORK 7, N. Y.

The Auk

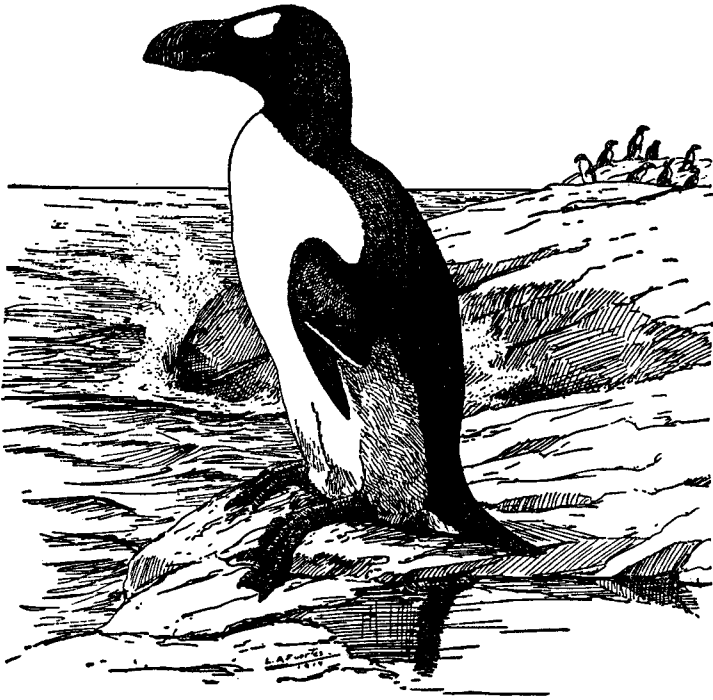
A Quarterly Journal of Ornithology

EDITOR

ROBERT W. STORER

ASSISTANT EDITOR

ANDREW J. BERGER



VOLUME 70

PUBLISHED BY

The American Ornithologists' Union

LANCASTER, PENNSYLVANIA

1953

DATES OF ISSUE OF 'THE AUK'

- VOL. 70, No. 1—JANUARY 28, 1953
VOL. 70, No. 2—APRIL 30, 1953
VOL. 70, No. 3—AUGUST 24, 1953
VOL. 70, No. 4—NOVEMBER 30, 1953

CONTENTS OF VOLUME 70

NUMBER 1

NESTING AND ABUNDANCE OF THE CUBAN SANDHILL CRANE ON THE ISLE OF PINES. By <i>Lawrence H. Walkinshaw</i>	1
INTER-FAMILY DOMINANCE IN CANADA GEESE. By <i>Harold C. Hanson</i>	11
A CENSUS OF THE KIRTLAND'S WARBLER. By <i>Harold Mayfield</i>	17
NOTES ON THE LIFE HISTORY OF THE BLOOD-COLORED WOODPECKER IN SURINAM. By <i>Fr. Haverschmidt</i>	21
FACTORS AFFECTING FEEDING RATES OF ANIS. By <i>A. L. Rand</i>	26
ORIGIN AND STATUS OF THE HOUSE FINCH IN THE EASTERN UNITED STATES. By <i>John J. Elliott and Robert S. Arbib, Jr.</i>	31
OBSERVATIONS AND NEW RECORDS OF BIRDS FROM THE BIMINIS, NORTHWESTERN BAHAMAS. By <i>Charles Vaurie</i>	38
ON THE LOCOMOTOR ANATOMY OF THE BLUE COUA, <i>Coua caerulea</i> . By <i>Andrew J. Berger</i>	49
GENERAL NOTES	
Grebe-Duck Nesting Parasitism. By <i>Ken Wolf</i>	84
The Tule Goose (<i>Anser albifrons gambelli</i>), Blue Goose (<i>Chen caerulescens</i>), and Mottled Duck (<i>Anas fulvigula maculosa</i>) Added to the List of the Birds of Mexico. By <i>George B. Saunders</i>	84
A Record of the Green-winged Teal (<i>Anas carolinensis</i>) from Puerto Rico. By <i>Virgilio Biaggi, Jr.</i>	85
A Breeding Record for the Ring-necked Duck in Massachusetts. By <i>Emerson H. Chandler</i>	86
Broad-winged Hawk (<i>Buteo platypterus</i>) Feeds on Evening Bat. By <i>Robert A. Norris</i>	87
A Great Flight of Dovekies (<i>Plautus alle</i>). By <i>Dorothy E. Snyder</i>	87
An Unusual Nest of the Common Tern (<i>Sterna hirundo</i>). By <i>Geoffrey Gill</i>	89
Anting of Blue-winged Warbler (<i>Vermivora pinus</i>) at Ramsey, New Jersey. By <i>Eleanor E. (Mrs. John Y.) Dater</i>	89
Some Further Comments on "Anting." By <i>Woodward H. Brown</i>	90
A New Name for a Flowerpecker from the Philippines. By <i>Canuto G. Manuel and E. Thomas Gilliard</i>	90
A Record for <i>Neodrepanis hypoxantha</i> of Madagascar. By <i>Alexander Wetmore</i>	91
Corrections of Names in the Avian Subfamily, Timaliinae. By <i>Masauji Hachisuka</i>	91
Longevity of Cuban Red-wing (<i>Agelaius assimilis</i>) in Captivity. By <i>Malcolm Davis</i>	92
NOTES AND NEWS.	93
RECENT LITERATURE.	95
OBITUARIES	
Earle Amos Brooks; John Lindsay Clark; Marian White Little; Alice May MacQuarrie; Angie Kumlien (Mrs. Herbert) Main; Eugene Edmund Murphey; Henri des Rivières; Samuel Robert Savage; Mildred (Mrs. Lawrence P.) Talley; James Davis Whitaker.	110

NUMBER 2

ON A COLLECTION OF BIRDS FROM GEORGIA AND CAROLINA MADE ABOUT 1810 BY JOHN ABBOT. By <i>Erwin Stresemann</i>	113
RACIAL AND SEXUAL DIFFERENCES IN MIGRATION IN <i>Sphyrapicus varius</i> . By <i>Thomas R. Howell</i>	118

THE HISTORY, BEHAVIOR, AND BREEDING BIOLOGY OF THE ST. KILDA WREN. By Edward A. Armstrong	127
CALCULATION OF EGG VOLUME BASED ON LOSS OF WEIGHT DURING INCUBATION. By Edward K. Barth	151
THE SHAPES OF BIRDS' EGGS. By F. W. Preston.	160
THE SEVENTIETH STATED MEETING OF THE AMERICAN ORNITHOLOGISTS' UNION. By Albert Wolfson	183
RADIOSURGERY AND UPTAKE OF RADIOACTIVE IODINE BY THE THYROID OF THE OREGON JUNCO. By Robert E. Bailey.	196
GENERAL NOTES	
Green-throated Loon (<i>Gavia arctica viridigularis</i>) in Southeastern Alaska. By Alfred M. Bailey.	200
Homing of the Manx Shearwater. By Rosario Mazzeo	200
Night Rafting of American Golden-eyes on the Mississippi River. By Walter J. Breckenridge	201
Notes on the Greater Sandhill Crane (<i>Grus canadensis tabida</i> .) By Lawrence H. Walkinshaw.	204
Terns Recorded at Lake Texoma, Oklahoma, in Summer of 1951. By George Miksch Sutton	205
Ancient Murrelet (<i>Synthliboramphus antiquus</i>) Taken in Erie County, Ohio. By Delmar Handley.	206
Black-throated Oriole (<i>Icterus gularis</i>) Nesting in Texas. By Samuel A. Grimes	207
Eastern Mourning Dove in the Dominican Republic—A Correction. By Frederick C. Lincoln	207
Geographical Variation in the Blue-throated Hummingbird (<i>Lampornis clemenciae</i>). By Josselyn Van Tyne	207
Forehead Color of the Pileated Woodpecker (<i>Dryocopus pileatus</i>). By Sarah F. Hoyt	209
Notes on Two Rare Tyrannids of Mexico. By Robert T. Moore.	210
Food Habits of the Bobolink in Arkansas Rice Fields. By Brooke Meanley	211
Breeding of the Purple Finch (<i>Carpodacus purpureus</i>) in the Pocono Region of Pennsylvania. By William C. Grimm	212
The Original Description of <i>Hesperiphona vespertina montana</i> Ridgway. By John T. Zimmer	213
The Original Edition of Azara's 'Apuntamientos.' By John T. Zimmer.	213
A Convenient Method of Confining Live Birds for Weighing. By Maurice Brooks	215
Young Bluebird Taken from Nest-box by Sparrow Hawk (<i>Falco sparverius</i>). By Howard Drinkwater	215
NOTES AND NEWS	216
RECENT LITERATURE	218
OBITUARIES	
Donald Roland Bemont; Martin Joachim Burelbach; Elaine Martin (Mrs. Howard A.) Drew; Elizabeth Wilson Fisher; Harry Lee Harlee; George Stanford Hensyl; Margaretta Mason (Mrs. Wharton) Huber; Philip Laurent; Charles Andrew McNeil; Samuel Nicholson Rhoads; James Spear, Jr.; Arthur Jason Woodward	236

NUMBER 3

THE PLUMAGE CYCLE OF THE CALIFORNIA GULL (<i>Larus californicus</i>) WITH NOTES ON COLOR CHANGES OF SOFT PARTS. By William H. Behle and Robert K. Selander	239
NESTING OF THE KING RAIL IN THE ARKANSAS RICE FIELDS. By Brooke Meanley	261
A PHYLOGENY OF THE OSCINES. By William J. Beecher.	270

THE SYSTEMATIC POSITION OF THE GENERA <i>Ramphocaenus</i> AND <i>Microbatas</i> . By A. L. Rand and Melvin A. Traylor, Jr.	334
AUTUMNAL MIGRANTS ON THE CAMPECHE BANK. By Raymond A. Paynter, Jr.	338
SEASONAL VARIATION IN TESTIS-STIMULATING ACTIVITY OF MALE PHEASANT PITUITARY GLANDS. By Frederick Greeley and Roland K. Meyer.	350
TWENTY-EIGHTH SUPPLEMENT TO THE AMERICAN ORNITHOLOGISTS' UNION CHECK-LIST OF NORTH AMERICAN BIRDS.	359
GENERAL NOTES	
What Bird Lays Black Eggs? By Eugene Eisenmann.	362
Occurrence of an African Cattle Egret (<i>Ardeola ibis ibis</i>) in Massachusetts. By William H. Drury, Jr., Allen H. Morgan, and Richard Stackpole.	364
White-winged Scoter Nesting Record in North Dakota. By Howard S. Huenecke	366
Foraging Activities of the Snowy Owl (<i>Nyctea scandiaca</i>) during a Period of Low Lemming Population. By Ira L. Wiggins	366
Analysis of the Call of the Whip-poor-will. By Stanley Mulaik, Willis Lee, and Jerry E. Stillwell.	367
The Nest of the Long-billed Gnatwren (<i>Ramphocaenus rufiventris</i>). By Eugene Eisenmann	368
Notes on the Yellow Warbler in Surinam. By F. Haverschmidt.	369
Recent Increase of the English Sparrow (<i>Passer domesticus</i>) in State of Veracruz, Mexico. By Frederick W. Loetscher, Jr.	370
Further Taxonomic Notes on the White-crowned Sparrow. By W. E. Clyde Todd.	370
The Application of the Name <i>Emberiza leucophrys</i> Forster. By Alexander Wetmore.	372
Fishing by the Common Crow (<i>Corvus brachyrhynchos</i>). By David C. Hulse and Thomas Z. Atkeson	373
Wing Claws in the White-necked Crow (<i>Corvus leucognathus</i>). By Julian J. Baumel.	373
NOTES AND NEWS.	374
RECENT LITERATURE.	377
OBITUARIES	
Edward Matthews Ball; Louis Wilhelm Dorn; William Wright Grant; Mrs. Charles Woodbury Melcher (Catherine Mitchell); William Garrett Moore; Ord Myers; George Parmlly; Nels Theodore Peterson; Eugene Rockwell Pike; Frank Otis Pillsbury; Marcus Charles Rich; Clark Perkins Streater; Reverend Gordon Boit Wellman; William Augustus White.	400

NUMBER 4

CONTRIBUTION TO THE LIFE HISTORY OF THE SWALLOW-TANAGER. By Ernst Schaefer	403
MIGRATORY BIRDS OF RELICT DISTRIBUTION: SOME INFERENCES. By Dean Amadon	461
OBSERVATIONS OF THE SHORT-TAILED HAWK IN FLORIDA. By Joseph C. Moore, Louis A. Stimson, and William B. Robertson.	470
SECOND BROODS IN THE EUROPEAN STARLING IN NORTH AMERICA. By Brina Kessel	479
A FOSSIL HOATZIN FROM THE MIOCENE OF COLOMBIA. By Alden H. Miller.	484

GENERAL NOTES

Mallard Nesting in Maine. By <i>Malcolm W. Coulter</i>	490
Further Information on the Turkey Vulture (<i>Cathartes aura</i>) in New England and Eastern Canada. By <i>Aaron M. Bagg and Henry M. Parker</i>	490
Red Phalarope (<i>Phalaropus fulicarius</i>) Wintering near Pensacola, Florida. By <i>Francis M. Weston</i>	491
Extension of the Known Range of <i>Haliaeetus leucoryphus</i> (Pallas). By <i>L. R. Wolfe</i>	492
The Ruddy Turnstone (<i>Arenaria interpres</i>) at Beach Haven, New Jersey, in August, 1950. By <i>Frederick V. Hebard</i>	493
Breeding Notes on Two Panamanian Antbirds. By <i>R. A. Johnson</i>	494
Winter Feeding of the Red-wing (<i>Agelaius phoeniceus</i>). By <i>Richard B. Fischer</i>	496
Surgery for Sexing and Observing Gonad Condition in Birds. By <i>Robert E. Bailey</i>	497
Additional Notes on the Birds of Bimini, Bahamas. By <i>Ernst Mayr</i>	499

NOTES AND NEWS	502
--------------------------	-----

RECENT LITERATURE	505
-----------------------------	-----

OBITUARIES

Charles Edgar Conklin; Charles Henry Davis; Wallace Sherwin Draper; Mary Drummond; Charles Dupond; Ellen Sheldon Drummond Farwell (Mrs. John Villers Farwell); Alva Howard Felger; Homer Lenoir Ferguson; William Lovell Finley; Joseph Larke Floyd; Masauji Hachisuka, Fanny Curtis Barri Kirkham (Mrs. James Wilson Kirkham); Harry Leon Kutz; Clarence Sackett; John Willis Schell, Charles Vetter	518
---	-----

INDEX TO VOLUME 70	523
------------------------------	-----

TITLE-PAGE	i
----------------------	---

DATES OF PUBLICATION	ii
--------------------------------	----

CONTENTS OF VOLUME 70	iii
---------------------------------	-----

CORRIGENDA	vii
----------------------	-----

MEMBERSHIP LIST OF THE A. O. U.	ix
---	----

LIST OF PLATES

Plate	Opposite page
1. WALKINSHAW: Cuban Sandhill Cranes on Isle of Pines	1
2. WALKINSHAW: Cuban Sandhill Cranes—Downy Young, Nest and Eggs.	8
3. WALKINSHAW: Cuban Sandhill Crane—Nesting Sites.	8
4. BAILEY: Thyroid Glands of Oregon Juncos.	198
5. HANDLEY: Ancient Murrelet from Ohio; GRIMES: Black-throated Oriole at Nest	206
6. BEHLE AND SELANDER: California Gulls—Wings.	239
7. BEHLE AND SELANDER: California Gulls—Tails, Bills.	254
8. MEANLEY: King Rail—Nesting Habitats, Adult Approaching Nest.	262
9. MEANLEY: King Rail—Nest, Adult Incubating.	262
10. TODD: White-crowned Sparrow.	370
11. SCHAEFER: Swallow-Tanagers—Adult Females.	403
12. SCHAEFER: Swallow-Tanagers—Male Singing, Habitat	406
13. SCHAEFER: Swallow-Tanagers—Males "Curtsying".	414
14. SCHAEFER: Swallow-Tanagers—Male Attacking Mounted Male.	418
15. SCHAEFER: Swallow-Tanagers—Nest, Eggs, and Young.	422
16. SCHAEFER: Swallow-Tanagers—Nest Sites.	430
17. SCHAEFER: Swallow-Tanagers—Young, 12 and 16 Days Old.	438
18. SCHAEFER: Swallow-Tanagers—Young, 24 and 45 Days Old.	446

CORRIGENDA

Page 88, line 14: for '*Columbus*,' read '*Colymbus*.'

Page 175, line 21: for 'table 4,' read 'table 6.'

Page 184, third line from bottom: for '1951' read '1952.'

Page 226, line 5: for 'Collins, Henry C., Jr.,' read 'Collins, Henry H., Jr.'

Page 299, third line of lettering: for '*Shetba*,' read '*Schetba*.'

Page 303, line 20: for '*lafresnayi*,' read '*lafresnayeri*.'

Page 377, lines 2 and 3: for 'Illinois Ecol. Monogr.,' read 'Illinois Biol. Monogr.'

THE AUK

A Quarterly Journal of Ornithology

ORGAN OF THE AMERICAN ORNITHOLOGISTS' UNION

For publication in 'The Auk,' articles or notes must present material that is of significance to ornithologists and that has not been published elsewhere. All manuscripts should be typewritten, double spaced, with wide margins. Titles should be brief. Terminal bibliographies are used as a rule for long articles. Only works actually cited in the text are to be included in these bibliographies; works not so cited will be deleted by the editors. Where fewer than five references to literature are made, they may be inserted in parentheses in the text. References in manuscript for 'General Notes' should be in the text. Consult issues of 'The Auk' since January, 1949, for style of citation. Long articles should be summarized briefly. Footnotes, Roman numerals, and ruled tables are to be avoided. Acknowledgments belong in the text. Line drawings must be in India ink on white paper or drawing board; usually these should be planned for at least one-half reduction when printed. Thus, details and lettering must be correspondingly large. Legends must be brief. Photographs must be hard, glossy prints of good contrast. Common and scientific names of North American birds should follow the A.O.U. Check-List and supplements except in taxonomic papers giving critical discussions.

Proofs of all articles and notes will be sent to authors. Reprints from articles, 'General Notes,' and 'Correspondence' are to be paid for by the author. These must be ordered from the Editor on the blanks sent with the proof and must be returned with the proof. Printed covers can be furnished at additional cost.

All articles and notes submitted for publication and all books and publications intended for review should be sent to the Editor,

ROBERT W. STORER, *Museum of Zoology, University of Michigan, Ann Arbor, Michigan.*

All persons interested in ornithology are invited to join the American Ornithologists' Union. Application may be made to the Treasurer; dues for Associates are \$4.00 per year. 'The Auk' is sent without charge to all classes of members not in arrears for dues.

Send changes of address, claims for undelivered or defective copies of 'The Auk,' and requests for information relative to advertising, subscriptions, back numbers of 'The Auk,' as well as for other publications of the Union, to the Treasurer,

R. ALLYN MOSER, 911 S. 89th St., Omaha 6, Nebraska.

OFFICERS OF THE AMERICAN ORNITHOLOGISTS' UNION

President: JOSSELYN VAN TYNE, University of Michigan Museum of Zoology, Ann Arbor, Michigan.

Vice-Presidents: ALDEN H. MILLER, University of California Museum of Vertebrate Zoology, Berkeley 4, California.

LUDLOW GRISCOM, Museum of Comparative Zoology, Cambridge 38, Mass.

Secretary: ALBERT WOLFSON, Northwestern University, Evanston, Illinois.

Treasurer: R. ALLYN MOSER, 911 South 89th Street, Omaha 6, Nebraska.

ALEXANDER SPRUNT, JR.
Author, Lecturer, Wildlife Tour Leader

Says

If the "old-timers" in ornithology in this country could have picked up a publication such as *Audubon Field Notes* they would probably have thought that they had attained the ultimate in Paradise Gained!

Even in this enlightened age of communication and specialized research, the tremendous value of these data can scarcely be over-estimated. The periodical is a comprehensive coverage of a subject which has, through the years, been all too sporadic and difficult of access for both the amateur and professional alike.

Audubon Field Notes deserves the co-operation of every serious observer.

AUDUBON FIELD NOTES

1130 Fifth Avenue, New York 28, N. Y

Subscribe today! \$2 a year (six issues)



DO YOU KNOW HOW?

How to use a binocular most efficiently? How to check it for good condition? How to pick the right model for your purpose? For practical details read our articles "Know Your Binoculars" published in *Audubon Magazine* (Reviewed on Page 97). Fully illustrated reprint 10c; free on mention of membership in the A.O.U.

IF YOU NEED A BINOCULAR send for our list of new and reconditioned glasses—American, German and Japanese at importers' prices. ALL are guaranteed adjusted to U. S. Government specifications. Liberal trade-in. We ship on 20 days' trial with full refund.

IF YOUR GLASS NEEDS REPAIR send it to us for free estimate. We repair and hardcoat all makes, and have been serving birders since 1923.

If you have a binocular problem—let us help you solve it.

MIRAKEL REPAIR CO.
Mount Vernon 10, N. Y.

We Have a Book Catalog for You

Catalogs issued semi-annually—books on birds, mammals and other natural history subjects; current, out-of-print titles, and serials. Catalog sent on request.

We buy natural history books. Generous prices, prompt payment. We are interested in buying single volumes or complete collections of books.

PIERCE BOOK COMPANY
Dealers in Natural History Books
Winthrop, Iowa