

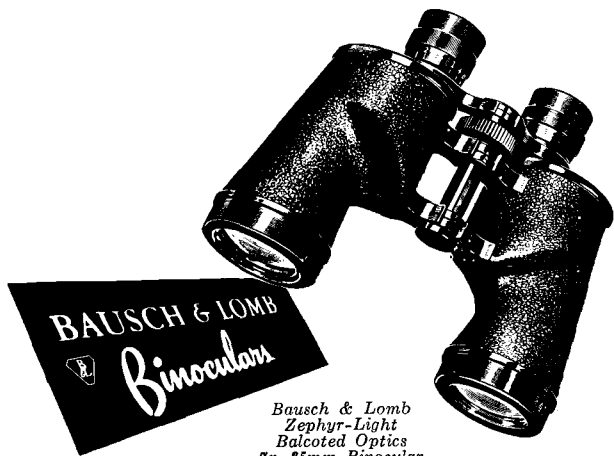


ED AND ANN BOYES are among leading recorders of bird songs. They have appeared before the National Audubon Society convention. Mr. Boyes is a former president—and Mrs. Boyes is the secretary—of the Detroit Audubon Society. Their work in arousing public interest in nature and conservation has been an important factor in the growth to national prominence of the Detroit Society.

“Excellent Clarity and Brightness”

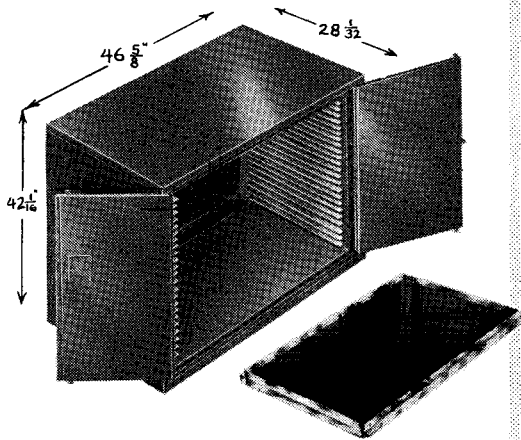
WRITE ED AND ANN BOYES: “Much of our recording is done at dawn when bird songs are at their best, but light is poor. Identification would be difficult, if not impossible, were it not for the excellent clarity and BRIGHTNESS of our 7X,35mm Bausch & Lomb binocular. We could even go further on an important angle justifying price over and above a mess of cheaper jobs now on the market. The cheap jobs might look good and operate quite well mechanically, but in our experience, just do not last.”

Ed and Ann Boyes.



Bausch & Lomb
Zephyr-Light
Balcoted Optics
7x, 35mm Binocular
\$186, Federal Tax incl.

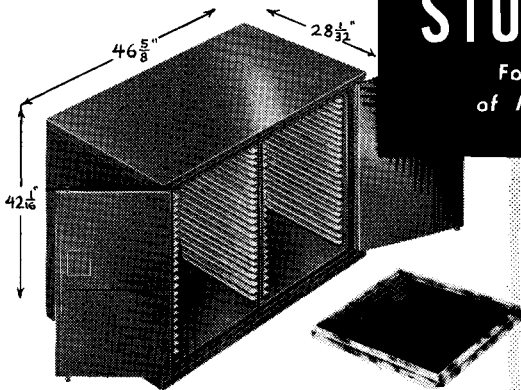
WRITE FOR FREE CATALOG. 32 pages of useful information you should know before you buy any binocular. Tells how to select a glass for your own use. Bausch & Lomb Optical Co., Lomb Park, Rochester 2, N. Y. 12216



Skin Case #201 for Large Trays

**SKIN CASES
FOR
MAXIMUM
PROTECTION
CONVENIENCE
ECONOMY!**

Lane



Skin Case #202 for Small Trays

ZOOLOGICAL AND ORNITHOLOGICAL

SPECIMEN STORAGE CASE

*For Protective Storage
of Mammal & Bird Skins*

- Locked "Live Rubber" Seal
- Sturdy double panel doors
- Locking mechanism secures both doors
- Tray guides permit maximum position of tray positions
- Fumigant Compartment
- Specimen Trays of aluminum and masonite — light weight — easy to handle.

FOR ILLUSTRATED BROCHURE WRITE

Institutional Division

CHAS J

Lane CORP

105 CHAMBERS STREET, NEW YORK 7, N. Y.

THE AUK

A Quarterly Journal of Ornithology

ORGAN OF THE AMERICAN ORNITHOLOGISTS' UNION

For publication in 'The Auk,' articles or notes must present material that is of significance to ornithologists and that has not been published elsewhere. All manuscripts should be typewritten, double spaced, with wide margins. Titles should be brief. Terminal bibliographies are used as a rule for long articles. Only works actually cited in the text are to be included in these bibliographies; works not so cited will be deleted by the editors. Where fewer than five references to literature are made, they may be inserted in parentheses in the text. References in manuscript for 'General Notes' should be in the text. Consult issues of 'The Auk' since January, 1949, for style of citation. Long articles should be summarized briefly. Footnotes, Roman numerals, and ruled tables are to be avoided. Acknowledgments belong in the text. Line drawings must be in India ink on white paper or drawing board; usually these should be planned for at least one-half reduction when printed. Thus, details and lettering must be correspondingly large. Legends must be brief. Photographs must be hard, glossy prints of good contrast. Common and scientific names of North American birds should follow the A.O.U. Check-List and supplements except in taxonomic papers giving critical discussions.

Proofs of all articles and notes will be sent to authors. Reprints from articles, 'General Notes,' and 'Correspondence' are to be paid for by the author. These must be ordered from the Editor on the blanks sent with the proof and must be returned with the proof. Printed covers can be furnished at additional cost.

All articles and notes submitted for publication and all books and publications intended for review should be sent to the Editor,

ROBERT W. STORER, *Museum of Zoology, University of Michigan, Ann Arbor, Michigan.*

All persons interested in ornithology are invited to join the American Ornithologists' Union. Application may be made to the Treasurer; dues for Associates are \$4.00 per year. 'The Auk' is sent without charge to all classes of members not in arrears for dues.

Send changes of address, claims for undelivered or defective copies of 'The Auk,' and requests for information relative to advertising, subscriptions, back numbers of 'The Auk,' as well as for other publications of the Union, to the Treasurer,

R. ALLYN MOSER, 911 S. 89th St., Omaha 6, Nebraska.

OFFICERS OF THE AMERICAN ORNITHOLOGISTS' UNION

President: JOSSELYN VAN TYNE, University of Michigan Museum of Zoology, Ann Arbor, Michigan.

Vice-Presidents: ALDEN H. MILLER, University of California Museum of Vertebrate Zoology, Berkeley 4, California.

LUDLOW GRISCOM, Museum of Comparative Zoology, Cambridge 38, Mass.

Secretary: ALBERT WOLFSON, Northwestern University, Evanston, Illinois.

Treasurer: R. ALLYN MOSER, 911 South 89th Street, Omaha 6, Nebraska.

DEAN AMADON
Assistant Curator of Birds

Says

For many years birders through America, wishing a concise summary of the distribution and local status of birds, regularly turned to "The Season"—a feature of the Audubon Society's publication "Bird-Lore" (now "Audubon Magazine"). This early attempt to bring together current field observations has grown into the separate and valuable publication *Audubon Field Notes*. The coverage has been extended to include all parts of temperate North America, giving a continental picture of the fluctuations and distributions of American birdlife. Frequent attempts are made to provide detailed maps and accounts of the distributions of selected species. The distribution section of the U. S. Fish and Wildlife Service cooperates by editing this publication. No serious student of North American birds should be without *Audubon Field Notes*.

AUDUBON FIELD NOTES

1130 Fifth Avenue,
New York 28, N. Y.

Subscribe today!
\$2 a year (six issues)

BINOCULARS FOR BIRDING

Should always be
Adjusted to U. S. Government Specifications

ALL BINOCULARS WE SELL are shock tested, and checked on our precision collimator, to make sure they meet these rigid requirements. Our new and reconditioned glasses include the finest American and German makes, and a full line of the best Japanese (including a coated 6x30 for only \$39.50). Liberal trade-ins. We ship on 20 days' trial with refund guarantee; send for our free list.



ALL BINOCULARS WE REPAIR are adjusted to the same specifications. We repair and coat all types and makes. Send your glass for free estimate, and our free leaflet "These Hard-Coating Jobs." We also check glasses without charge and answer questions personally.

For how to use, choose and check a binocular read
our articles published in Audubon Magazine
"Know Your Binoculars"

(Reviewed on page 97)

Reprint priced 10c, no charge to A.O.U. members.

MIRAKEL REPAIR CO.
Binocular Specialists Since 1923
Mount Vernon 10, N. Y.

We Have a Book Catalog for You

Catalogs issued semi-annually—books on birds, mammals and other natural history subjects; current, out-of-print titles, and serials. Catalog sent on request.

We buy natural history books. Generous prices, prompt payment. We are interested in buying single volumes or complete collections of books.

PIERCE BOOK COMPANY
Dealers in Natural History Books
Winthrop, Iowa