

Skin Case #201 for Large Trays

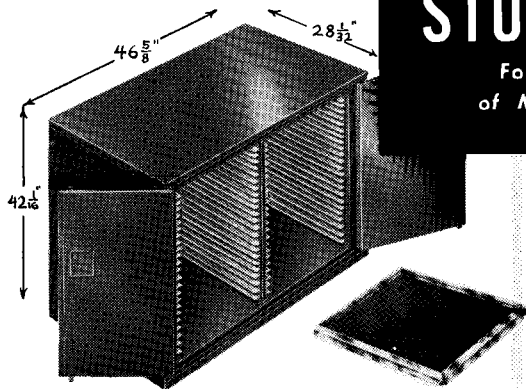
**SKIN CASES
FOR
MAXIMUM
PROTECTION
CONVENIENCE
ECONOMY!**

Lane

ZOOLOGICAL AND ORNITHOLOGICAL

**SPECIMEN
STORAGE CASE**

*For Protective Storage
of Mammal & Bird Skins*



Skin Case #202 for Small Trays

- Locked "Live Rubber" Seal
- Sturdy double panel doors
- Locking mechanism secures both doors
- Tray guides permit maximum position of tray positions
- Fumigant Compartment
- Specimen Trays of aluminum and masonite — light weight — easy to handle.

FOR ILLUSTRATED BROCHURE WRITE

Institutional Division

CHAS. J. *Lane* CORP.

46 West Broadway, New York 7, N. Y.

CHARLES E. MOHR is director of the Audubon Nature Center at Greenwich, Connecticut, where sessions are held each summer for adults interested in nature and conservation. A leading educator in the nature field, he is past president of the American Nature Study Society and president of the National Speleological Society. His articles and wildlife photographs have appeared in a number of national magazines.

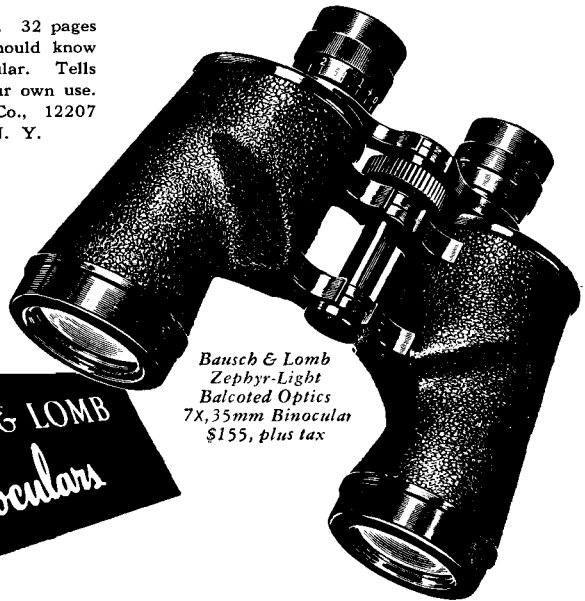


"New Worlds for the Bird Watcher"

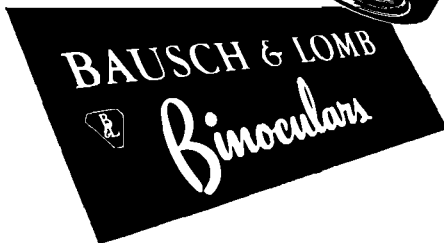
Writes CHARLES E. MOHR: "To look at the moon with the naked eye and then through a telescope is to discover the same sort of new world that a bird watcher finds when he starts using a topnotch binocular."

Charles E. Mohr

WRITE FOR FREE CATALOG. 32 pages of useful information you should know before you buy any binocular. Tells how to select a glass for your own use. Bausch & Lomb Optical Co., 12207 Lomb Park, Rochester 2, N. Y.



*Bausch & Lomb
Zephyr-Light
Balcoted Optics
7X, 35mm Binocular
\$155, plus tax*



THE AUK

A Quarterly Journal of Ornithology

ORGAN OF THE AMERICAN ORNITHOLOGISTS' UNION

For publication in 'The Auk,' articles or notes must present material that has not been published elsewhere and that is of significance to ornithologists. All manuscripts should be typewritten, double spaced, with wide margins. Titles should be brief. Terminal bibliographies are used as a rule for long articles. Where fewer than five references to literature are made, they may be inserted in parentheses in the text. References in manuscript for 'General Notes' must always be in the text. Consult issues of 'The Auk' since January, 1949, for style of citation. Long articles should be summarized briefly. Footnotes, Roman numerals, and ruled tables are to be avoided. Acknowledgments belong in the text. Line drawings must be in India ink on white paper or drawing board; usually these should be planned for at least one-half reduction when printed. Thus, details and lettering must be correspondingly large. Captions must be brief. Photographs must be hard, glossy prints of good contrast. Common and scientific names of North American birds should follow the A.O.U. Check-List except in taxonomic papers giving formal, critical discussions.

Proofs of all articles and notes will be sent to authors. Reprints from articles, 'General Notes,' and 'Correspondence' are to be paid for by the author. These must be ordered from the Editor on the blanks sent with the proof and must be returned with the proof. Printed covers can be furnished at additional cost.

All articles and notes submitted for publication and all books and publications intended for review should be sent to the Editor,

HARVEY I. FISHER
*Department of Zoology
University of Illinois
Urbana, Illinois*

Send changes of address, claims for undelivered or defective copies of 'The Auk,' and requests for information relative to advertising, subscriptions, back numbers of 'The Auk,' as well as for other publications of the A.O.U., to the Treasurer,

R. ALLYN MOSER
*90th and Farnam
Omaha 6, Nebraska*

OFFICERS OF THE AMERICAN ORNITHOLOGISTS' UNION

President: JOSSELYN VAN TYNE, University of Michigan Museum of Zoology, Ann Arbor, Michigan.

Vice-Presidents: ALDEN H. MILLER, University of California Museum of Vertebrate Zoology, Berkeley 4, California.

LUDLOW GRISCOM, Museum of Comparative Zoology, Cambridge 38, Mass.

Secretary: ALBERT WOLFSON, Northwestern University, Evanston, Illinois.

Treasurer: R. ALLYN MOSER, 90th and Farnam, Omaha 6, Nebraska.

RICHARD H. POUGH

Author and Conservationist

Says

As a conservationist I feel that *Audubon Field Notes* is important to all who are interested in the welfare of birds. Are your local birds maintaining their numbers from year to year? Do changes in abundance that you may have noted locally portend a definite trend? Only through *Audubon Field Notes* is sufficient data available for you to evaluate your findings by comparison with observations elsewhere.

In this era of increasing use of deadly poisons and more widespread disturbance of bird habitats we must continue to have a way of detecting unfavorable trends as quickly as possible. *Audubon Field Notes* needs your support both as a subscriber and a contributor. \$2 spent on a subscription is \$2 well spent for conservation.

Sincerely yours,
RICHARD H. POUGH

\$2.00 for one year (6 issues per year)
\$3.75 for two years \$5.50 for three years

Send your order to

NATIONAL AUDUBON SOCIETY, 1000 Fifth Avenue,
New York 28, N. Y.

BINOCULARS FOR BIRDING

Should always be
Adjusted to U. S. Government Specifications

ALL BINOCULARS WE SELL are shock tested, and checked on our precision collimator, to make sure they meet these rigid requirements. Our new and reconditioned glasses include the finest American and German makes, and a full line of the best Japanese (including a coated 6x30 for only \$39.50). Liberal trade-ins. We ship on 20 days' trial with refund guarantee; send for our free list.



ALL BINOCULARS WE REPAIR are adjusted to the same specifications. We repair and coat all types and makes. Send your glass for free estimate, and our free leaflet "These Hard-Coating Jobs." We also check glasses without charge and answer questions personally.

For how to use, choose and check a binocular read
Our articles published in *Audubon Magazine*
"Know Your Binoculars"

Reprint priced 10c, no charge to A.O.U. members.

MIRAKEL REPAIR CO.
Binocular Specialists Since 1923
Mount Vernon 10, N. Y.

We Have a Book Catalog for You

Catalogs issued semi-annually—books on birds, mammals and other natural history subjects; current, out-of-print titles, and serials. Catalog sent on request.

We buy natural history books. Generous prices, prompt payment. We are interested in buying single volumes or complete collections of books.

PIERCE BOOK COMPANY
Dealers in Natural History Books
Winthrop, Iowa