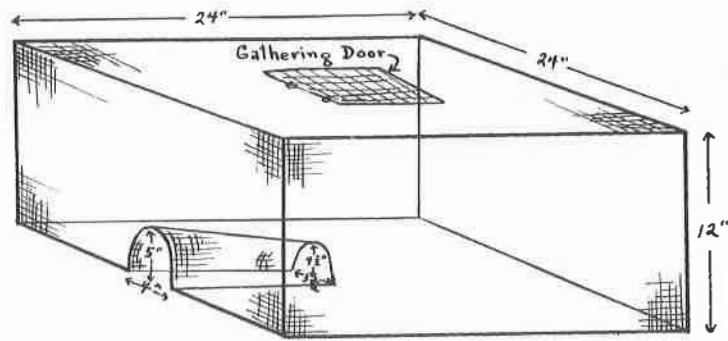


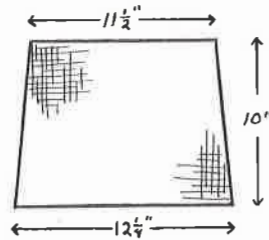
THREE USEFUL TRAPS

The three traps which appear on this and the two succeeding pages are so well drawn that no further description is necessary. They may be made with 16 gauge welded wire mesh $\frac{1}{2}$ x 1", or with $\frac{1}{2}$ or $\frac{3}{4}$ " hardware cloth (the welded wire mesh seems to be less damaging to trapped birds).

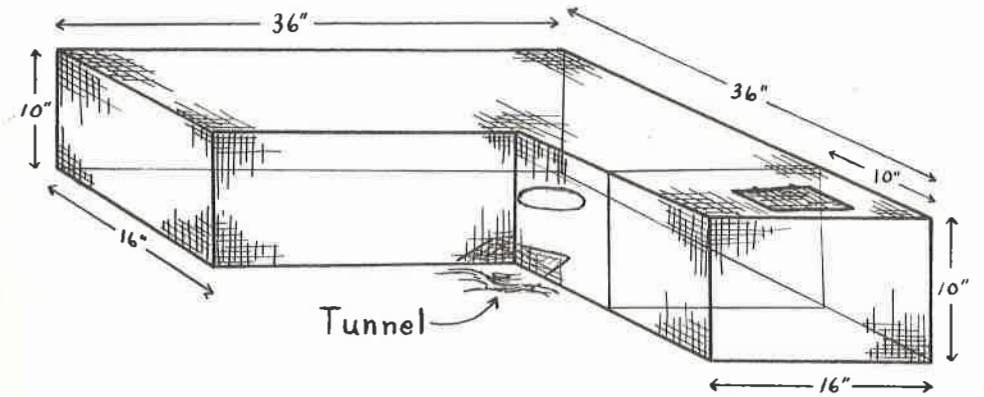
North Carolina Dove Trap



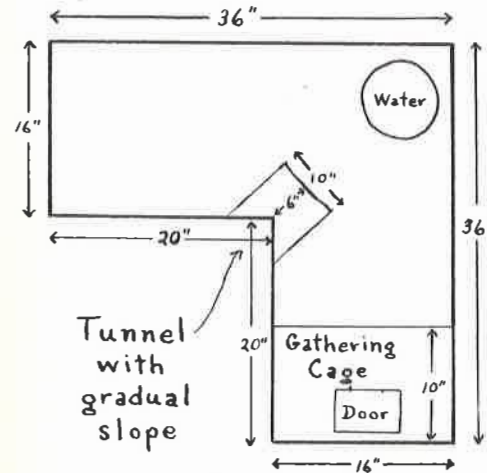
Cutting diagram for funnel —



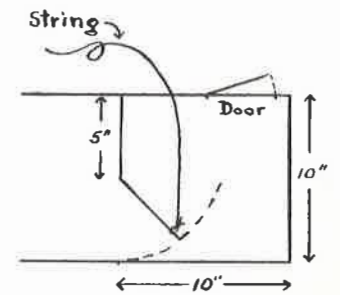
Fabian Trap



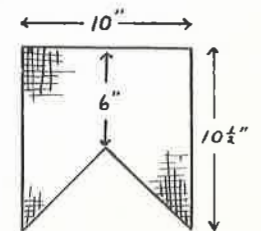
Top View —



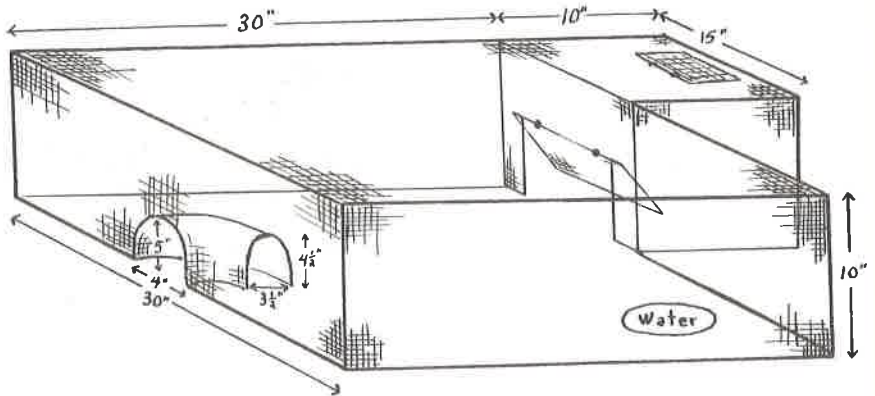
Gathering Cage — Side View



Bridge over tunnel —



Modesto Trap



Top View —

